

Voyager®

AOM711

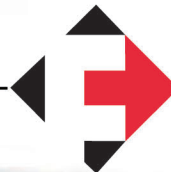
7" LCD Observation Monitor



KEY FEATURES:

- 7" Wide Format, High Performance Color LCD Panel
- Aspect Ratio: 16:9
- Camera Inputs: 2
- Contrast Ratio: 300:1
- Screen Capabilities: single, split screen
- Slimline profile
- Backlit controls
- 12V system compatible
- NTSC and PAL video signal compatible
- Manual (pushbutton) or automatic (trigger) source selection
- Auto power on (standby)
- Auto/Manual Day/Night brightness modes
- On Screen Display (OSD) for AV source, picture adjustment & volume level
- Non-volatile memory for picture and volume adjustment settings
- Anti-glare/Anti-scratch protective lens
- Removable sun-visor included
- Multiple mounting options (AMPS compatible)
- RoHS compliant

OBSERVATION
SYSTEMS



M. S. Foster & Associates, Inc.

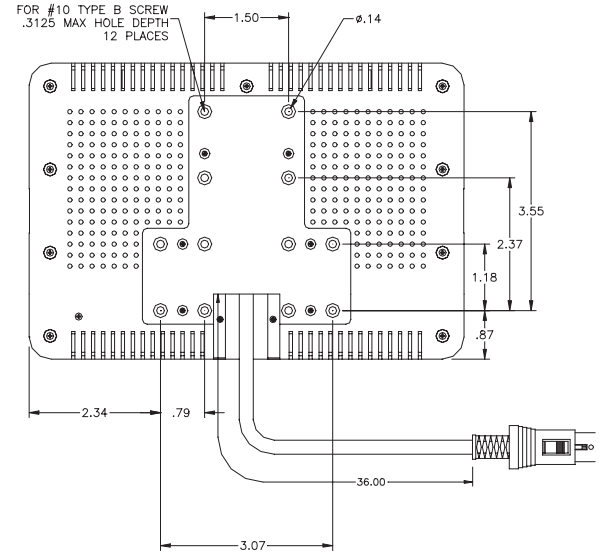
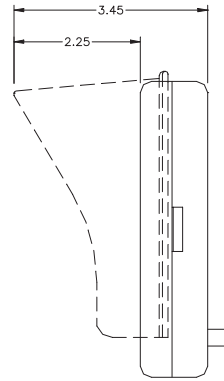
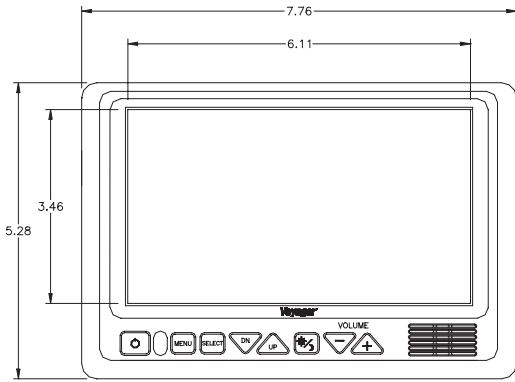
1866 N. Country Lane, Michigan City, IN 46360
Phone 219-380-3266 or 219-879-9225 • Toll Free 888-452-4053
Fax 219-879-9313 • email: sales@msfoster.com
www.msfooster.com

E X P A N D your vision

Voyager®

AOM711

7" LCD Observation Monitor



General Specifications:

Power System	12V DC	
Operating Voltage Range	10.5V – 32V DC	
Current Draw @ 12V	900mA	
Operating Temperature Range	-4°F to 149°F	-20°C to 65°C
Storage Temperature Range	-40°F to 176°F	-35°C to 80°C
Maximum Relative Humidity	85%	
Overall Dimensions	7.75W x 5.25H x 1.25D	
Product Weight (unpacked)	1.43 lbs	
Regulatory Certification(s)	FCC	

Performance Specifications:

Video / Display System	NTSC / PAL		
Video Input Signal (Composite)	1V p-p 75 ohms		
Audio Output	1W		
LCD Specifications	Diagonal Size	7"	
	Resolution	1440 (W) x 234 (H) : 336,960 pixels	
	Brightness	500nit	
	Contrast Ratio	300:1	
	View Angles	Top	50°
		Bottom	70°
		Left	70°
		Right	70°
	Display Format	16:9	
	Response Time	Rise	12ms
Fall		18ms	
Backlight Type	CCFL		
Backlight Life	10,000 Hours		