

Voyager[®] VCCBLCHV

Rear Breaklight Color Observation Camera



KEY FEATURES:

- High performance cylinder color observation camera
- Waterproof (IPX7)
- 12 Volt DC
- Viewing Angle: 128°
- IR LED low light enhancement (0 Lux with IR LED on)
- Built-in microphone
- Normal/Mirror image switch
- Electronic Iris
- RoHS compliant

OBSERVATION
SYSTEMS



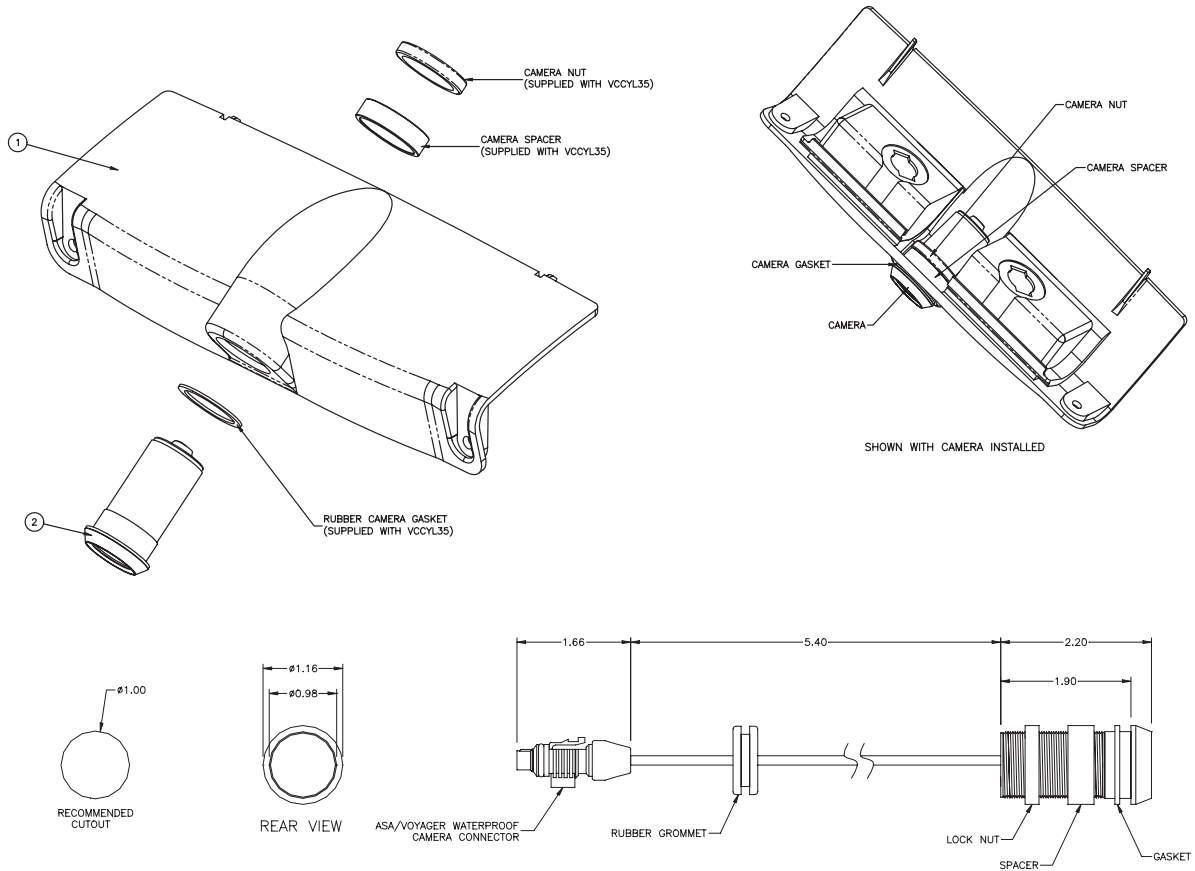
M. S. Foster & Associates, Inc.

1866 N. Country Lane, Michigan City, IN 46360
Phone 219-380-3266 or 219-879-9225 • Toll Free 888-452-4053
Fax 219-879-9313 • email: sales@msfoster.com
www.msfoster.com

E X P A N D your vision

Voyager® VCCBLCHV

Rear Breaklight Color Observation Camera



General Specifications

Power System		12VDC	
Operating Voltage Range		9.5V – 14V	
Current Draw @ 12V	Idle	0 mA	
	Nominal	.2A	
	Maximum	.2A	
Operating Temperature Range		-4°F to 149°F	-20°C to 65°C
Storage Temperature Range		-40°F to 185°F	-40°C to 85°C
Maximum Relative Humidity		100% (Waterproof)	
Overall Dimensions		1.22"dia. x 2.2"D	
Product Weight (unpackaged)		0.25 lbs	
Test Specification(s)		ES-0001 (ASA)	

Optical Specifications

Video Output Signal Format		NTSC	
Video Signal Output Level		1.0V p-p ; 75Ω	
Audio Output		N/A	
CCD Specifications	Sensor	1/3" CCD	
	Iris/Shutter Type	Electronic Automatic	
	Shutter speed	1/60 ~ 1/100,000 sec	
	Resolution	270K pixels	
	Sensitivity	0.3 Lux	
	Image Orientation	Mirror (Reversed)	
	View Angles	D	130°
H		104°	
V		78°	