

Voyager[®] VCCS150/B

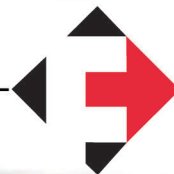
Wide View CCD Color Observation Camera



KEY FEATURES:

- High resolution Wide View CCD Color Observation Camera
- Waterproof (IPX7)
- 12 Volt DC
- Viewing Angle: 150°
- IR LED low light enhancement (0 Lux with IR LED on)
- Built-in microphone
- Normal/Mirror image switch
- Electronic Iris
- Dimensions: 2.7"W x 1.7"H x .5"D
- Available housing colors:
White - VCCS150
Black - VCCS150B

OBSERVATION
SYSTEMS



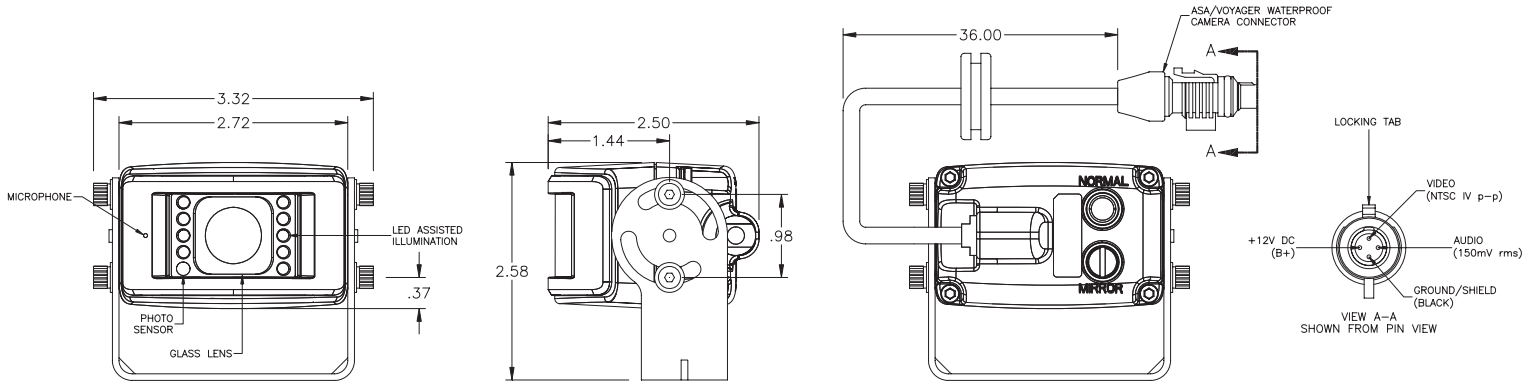
M. S. Foster & Associates, Inc.

1866 N. Country Lane, Michigan City, IN 46360
Phone 219-380-3266 or 219-879-9225 • Toll Free 888-452-4053
Fax 219-879-9313 • email: sales@msfoster.com
www.msfooster.com

E X P A N D your vision

Voyager® VCCS150/B

CCD Color Wide View Observation Camera



General Specifications			
Power System	12VDC		
Operating Voltage Range	10V – 18VDC		
Power Consumption	200 mA (LED On)		
Operating Temperature Range	-20°C to +65°C	-4°F to 149°F	
Storage Temperature Range	-30°C to +70°C	-22°F to 158°F	
Operating Relative Humidity	100% RH		
Waterproof Rating	IPX7		
Overall Dimensions (without bracket)	2.7" x 1.7" x .57"		
Product Weight (unpacked)	8.8 oz		
Optical Specifications			
Video Output Signal Format	NTSC/PAL		
Video Signal Output Level	1Vp-p 75Ω		
Audio Output	200mV		
CMOS Specifications	Sensor	1/3" CCD	
	Iris/Shutter Type	ELECTRONIC	
	Shutter speed	1/60 ~ 1/100,00 Sec	
	Resolution	330 TV Lines	
	Sensitivity	0 Lux (with IR LED ON)	
	Image Orientation	MIRROR	
	View Angles	D	150°
		H	120°
V		90°	