

# Voyager<sup>®</sup> VCMS36L/R

Super CMOS Color Side Body Observation Camera

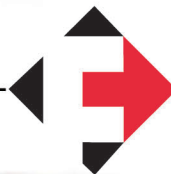


## KEY FEATURES:

- Super CMOS color side body observation camera
- Waterproof (IPX7)
- 12 Volt DC
- Viewing Angle: 118°
- IR LED low light enhancement (0 Lux with IR LED on)
- NTSC video output signal format
- Mirror (reversed) image orientation
- Machined aluminium body
- Impact resistant plastic housing
- Dimensions: 1.65" W x 1.83" H x 3.32" D
- Available housing colors:

LEFT SIDE	RIGHT SIDE	HOUSING COLOR
VCMS36LWT	VCMS36RWT	White
VCMS36LCM	VCMS36RCM	Chrome
VCMS36LGP	VCMS36RGP	Gray Paintable

OBSERVATION  
SYSTEMS



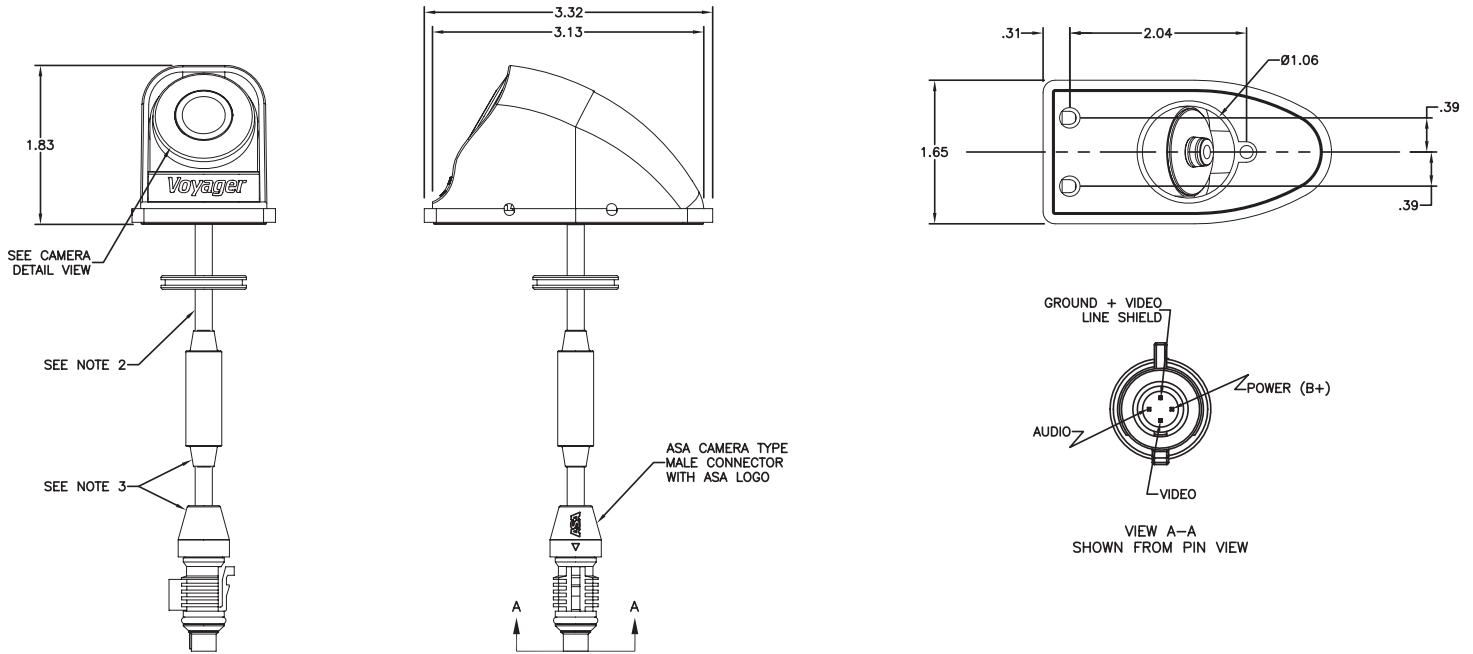
**M. S. Foster & Associates, Inc.**

1866 N. Country Lane, Michigan City, IN 46360  
Phone 219-380-3266 or 219-879-9225 • Toll Free 888-452-4053  
Fax 219-879-9313 • email: sales@msfoster.com  
www.msfoster.com

E X P A N D your vision

# Voyager® VCMS36L/R

Super CMOS Color Side Body Observation Camera



<b>Power System</b>	<b>12VDC</b>	
<b>Operating Voltage Range</b>	<b>9.5V – 14VDC</b>	
<b>Power Consumption</b>	<b>1.8 Watt with LED's ON</b>	
<b>Storage Temperature Range</b>	<b>-4°F to 149°F</b>	<b>-20°C to 65°C</b>
<b>Operating Temperature Range</b>	<b>-40°F to 185°F</b>	<b>-40°C to 85°C</b>
<b>Operating Relative Humidity</b>	<b>100% RH</b>	
<b>Waterproof Rating</b>	<b>IPx7</b>	
<b>Overall Dimensions</b>	<b>1.65" W x 1.83" H x 3.32" D</b>	
<b>Product Weight (unpacked)</b>	<b>2.29 oz</b>	

## Optical Specifications

<b>Video Output Signal Format</b>		<b>NTSC</b>
<b>Video Signal Output Level</b>		<b>1.0V p-p ; 75Ω</b>
<b>Audio Output</b>		<b>N/A</b>
<b>CMOS Specifications</b>	<b>Sensor</b>	<b>1/4" CMOS</b>
	<b>Iris/Shutter Type</b>	<b>Electronic Automatic</b>
	<b>Shutter speed</b>	<b>1/30 ~ 1/62500 sec</b>
	<b>Resolution</b>	<b>400 Lines</b>
	<b>Sensitivity</b>	<b>0 Lux</b>
	<b>Image Orientation</b>	<b>Mirror (Reversed)</b>
	<b>View Angles</b>	<b>D</b>
	<b>H</b>	<b>101°</b>
	<b>V</b>	<b>77°</b>