

Voyager® Observation Monitors

Available in Wedge and Flip-down Assemblies



Missing something important?

Increase driver safety and road visibility with a Voyager® Observation System. Wedge-style and Flip-down mounting options make it *easy* to EXPAND your drivers' vision!



KEY FEATURES

AOM7694 & AOM713WP

- 7" Wide format, heavy duty color LCD screens
- 12V and 24V system compatible
- Circuit protection for commercial use
- Backlit soft touch controls
- Built-in speaker
- Manual (pushbutton) or automatic (trigger) source selection
- Turn-signal (pulsed DC) compatible trigger inputs
- NTSC/PAL video signal compatible
- Auto power on
- Day/Night brightness modes
- On Screen Display for AV source, picture adjustment, and volume level
- Anti-glare/anti-scratch protective lens

AOM7694 ONLY

- Four camera (A/V) inputs
- Multi-image view modes: full screen, split-screen, tri-screen, and quad-screen capability
- IR Repeater (for external navigation computer)
- Tilt camera control

AOM713WP ONLY

- Three camera (A/V) inputs
- WATERPROOF housing (IPX5)

DON'T MISS THE THINGS THAT *Really* MATTER...

Help your drivers change lanes, pull into traffic, merge, and make wide right turns with a Voyager® Observation System! With a Voyager® monitor, you can give your drivers the ability to actually *see* vehicle surroundings and *view* images beyond the normal scope of vision provided by conventional mirrors.

With the available Voyager® Wedge and Flip-down monitor mounting options, offering the benefits of a Voyager® Observation System is easy. Simply choose a Voyager® 7" monitor and either the wedge or flip-down bracket, mount it in the desired location, and start passing the advantages of increased *safety* on to your drivers today!

Compatible Voyager® monitors include the AOM7694 7" Color LCD Monitor with 4 camera inputs. This monitor has full, split, tri, and quad-view capabilities. Also available is the AOM713WP 7" Waterproof Color LCD Monitor with 3 camera inputs. All Voyager® products are specifically designed, built, and tested to endure the unique challenges of heavy duty and commercial vehicle environments.

Michael S. Foster

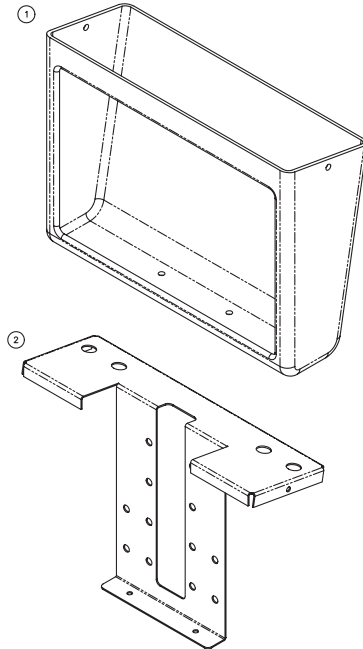
M.S. Foster & Associates, Inc.
1866 N. Country Lane
Michigan City, IN 46369
PHONE: 219-879-9225
FAX: 219-879-9313
www.msfooster.com

E X P A N D your vision

Voyager® Observation Monitors

Monitors, Wedge, and Flip-Down Bracket Specifications

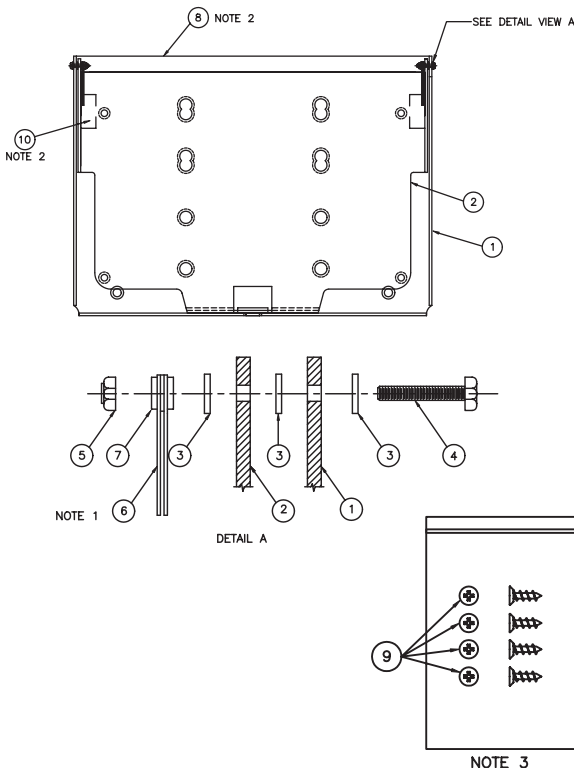
VO7MAKIT Wedge Housing



AOM7694

Power System		12/24VDC	
Operating Voltage Range		10V to 32V	
Current Draw @ 12V	Idle	46mA	
	Nominal	830mA	
	Maximum	902mA	
Operating Temperature Range		-4°F to 149°F -20°C to 65°C	
Storage Temperature Range		-40°F to 176°F -35°C to 80°C	
Maximum Relative Humidity		95%	
Overall Dimensions		7 3/4"W x 5 1/2"H x 1 3/16"D	
Product Weight (unpackaged)		2.8lbs	
Performance Specifications:			
Video / Display System		NTSC/PAL	
Video Input Signal (Composite)		1V P-P	
Audio Output		1W	
LCD Specifications	Diagonal Size	7.0"	
	Resolution	1440(W) x 234(H) ; 336,960 pixels	
	Brightness	500 nit	
	Contrast Ratio	300:1	
	View Angles	Top	50° min
		Bottom	70° min
		Left	70° min
		Right	70° min
	Display Format	16:9	
	Response Time	Rise	12ms
		Fall	18ms
	Backlight Type	CCFL	
Backlight Life	10,000 Hours		

1070450 Flip-down Bracket



AOM713WP

SPECIFICATIONS:

General Specifications:

Power System		12/24V DC
Operating Voltage Range		10V to 32V
Current Draw @ 12V	Idle	363mA
	Nominal	1.05mA
	Maximum	1.18A
Operating Temperature Range		-22°F to 176°F -30°C to 80°C
Storage Temperature Range		-40°F to 185°F -40°C to 85°C
Maximum Relative Humidity		100%
Overall Dimensions		7 3/4"W x 5 1/2"H x 1 3/16"D
Product Weight (unpackaged)		2.8lbs
Water Resistance level		IPx5

Performance Specifications:

Video / Display System		NTSC/PAL	
Video Input Signal (Composite)		1V P-P	
Audio Output		1W	
LCD Specifications	Diagonal Size	7.0"	
	Resolution	1440(W) x 234(H) ; 336,960 pixels	
	Brightness	500 nit	
	Contrast Ratio	300:1	
	View Angles	Top	50° min
		Bottom	70° min
		Left	70° min
		Right	70° min
	Display Format	16:9	
	Response Time	Rise	12ms
		Fall	18ms
	Backlight Type	CCFL	
Backlight Life	10,000 Hours		

Michael S. Foster

M.S. Foster & Associates, Inc.
1866 N. Country Lane
Michigan City, IN 46369
PHONE: 219-879-9225
FAX: 219-879-9313
www.msfooster.com

E X P A N D your vision