

# CMS-T331 Changeable Message Sign Character Matrix Sign - 3 Lines x 8 Characters



**M. S. Foster & Associates, Inc.**

1866 N. Country Lane, Michigan City, IN 46360  
Phone 219-380-3266 or 219-879-9225 • Toll Free 888-452-4053  
Fax 219-879-9313 • email: sales@msfoster.com  
www.msfooster.com

Catalog No.: AMS30065206



The AMSIG CMS-T331 has enhanced legibility, is cost effective, requires low maintenance, easy to operate, and is built to last. Our innovative **Dynapoint® Optical Technology** in combination with proven ultra-bright, wide angle (30) ITE amber LEDs provide enhanced visibility and legibility in both daylight and nighttime conditions.

AMSIG's **AIMSTAR™**, adjustable solar assembly, allows the user to adjust solar assembly to face the southern hemisphere and achieve up to a 100% increase in available solar recharge power dependent on location.

## FEATURES:

- Character Matrix
- 3 Lines x 8 Discrete Characters
- 2 Font Sizes: 4x7, 5x7
- 18" characters
- SOLAR™ Primary Power Charging System w/ 30 day nominal battery life and onboard AC charger
- Weather tight control cabinet w/ backlit LCD handheld controller
- Sign raise/lower with electric hydraulic lift w/ manual backup

## OPTIONS:

- Remote Control: Cellular, Wireless, or Landline
- Radar Overspeed Detection
- Queue Detection
- NTCIP Compliant/ Compatible
- Radar Data Logging with graphing capability
- ITMS Work Zone Compatible
- Graphic User Interface Software
- Highway Advisory Radio
- AIMSTAR™ Adjustable Solar Assembly

## M. S. Foster & Associates, Inc.

1866 N. Country Lane, Michigan City, IN 46360  
Phone 219-380-3266 or 219-879-9225 • Toll Free 888-452-4053  
Fax 219-879-9313 • email: sales@msfoster.com  
www.msfooster.com

## COST EFFECTIVE

- SOLR™ primary power charging system allows for total autonomy and operation for a nominal 30 day period on battery power alone.
- Energy-efficient and environmentally sound

## LOW MAINTENANCE

- Minimal and simple maintenance
- Long life LEDs
- SOLR™ primary power supply option requires no refueling
- Easily removeable trailer tongue

## BUILT TO LAST...

- Can be used in inclement weather

## EASY TO USE

- User-friendly Interface
- Local and/or remote sign control
- Messages are easy to create and modify



\*\*\* specifications subject to change with technology

**PHYSICAL/MECHANICAL**

- Height (raised) 162" / 4.1m
- Height (storage) 107" / 2.7m
- Length 190" / 4.8m
- Trailer Width 79.5" / 2.0m
- Sign Case Height 79.5" / 2.0m
- Sign Case Width 139.75" / 3.5m
- Sign Raise/Lower electric-hydraulic w/ manual backup
- LED Operating Temp -22° to +165° F / -30° C - -73° C
- Electronics Temp. Rating -30° to +165° F / -34° C - 73° C

**ELECTRICAL / LED DISPLAY**

- Update Speed-Variable Timing .10 sec increments
- LED Color 590nm ITE Amber/ Yellow
- Character Size / Height 18" / 457mm
- LEDs Per Pixel 4 x 30° LEDs
- Matrix Type 8 individual modules with fixed spacing
- Matrix Size 5 x 7 per character module

**CONTROL/OPERATION**

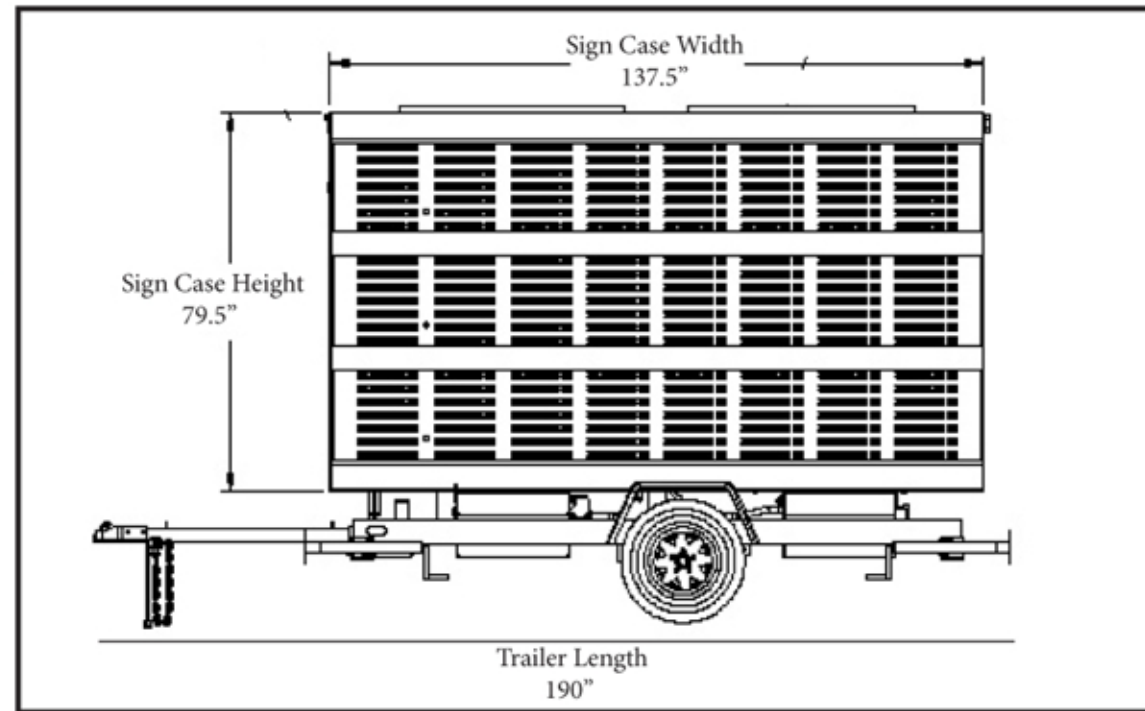
- Control Console Display Backlit LCD
- Pre-Programmed Messages 199
- User-Defined Messages 199
- Message Sequences 250

**SOLR™ PRIMARY POWER CHARGING OPTION**

- Battery Life 30 Days Nominal
- Land Power On-board charger recharges battery pack.

**GRAPHICS AND LEGIBILITY**

- Our LED design provides outstanding legibility in all weather conditions, with wide angle visibility.
- Up to 199 factory pre-programmed messages
- 199 user-defined messages permit infinite range for all applications
- Ability to flash individual lines or entire message.

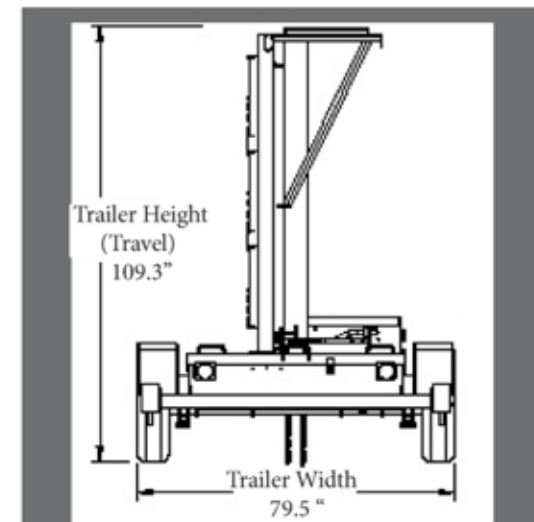


**OPTIONS:**

- Remote Control: Cellular, Wireless, or Landline
- Radar Overspeed Detection
- Queue Detection
- NTCIP Compliant/ Compatible
- Radar Data Logging w/ graphing capability
- ITMS Work Zone Compatible
- Graphic User Interface Software
- Highway Advisory Radio
- AIMSTAR™ Adjustable Solar Assembly
- 2" ball or lunette eye hitch w/ adjustable height

**ADDITIONAL FEATURES:**

- Weather tight control cabinet with back lit LCD handheld controller
- Dynapoint® Optical Technology provides enhanced visibility and legibility in both day and night



- Enhanced Legibility and Visibility
- Superior Power Management
- Environmentally Friendly
- Wide-Angle Viewing
- Energy Efficient