

Voyager[®] VCCS150/B

Wide View CCD Color Observation Camera



KEY FEATURES:

- High resolution Wide View CCD Color Observation Camera
- Waterproof (IPX7)
- 12 Volt DC
- Viewing Angle: 150°
- IR LED low light enhancement (0 Lux with IR LED on)
- Built-in microphone
- Normal/Mirror image switch
- Electronic Iris
- Dimensions: 2.7"W x 1.7"H x .5"D
- Available housing colors:
White - VCCS150

OBSERVATION
SYSTEMS



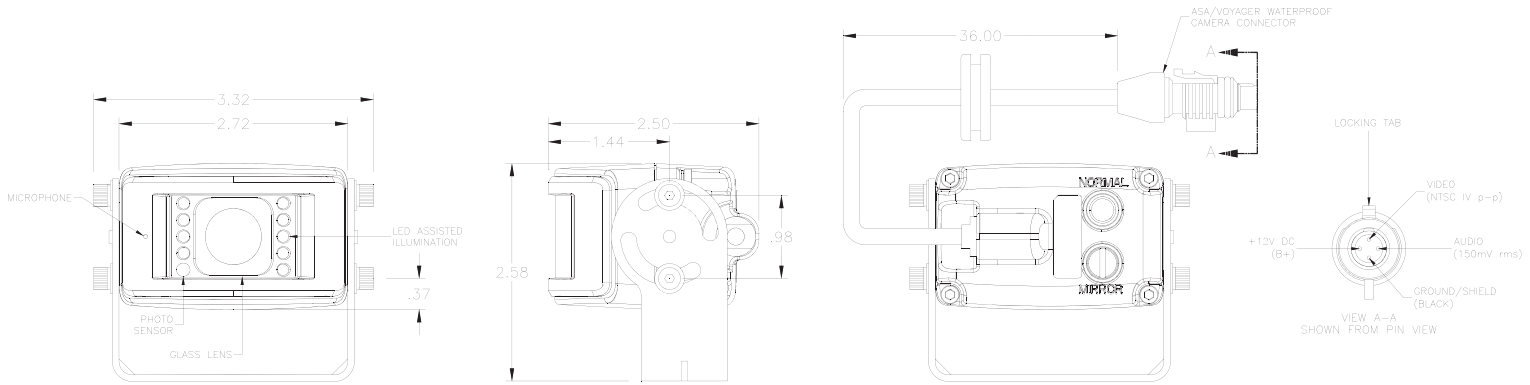
M. S. Foster & Associates

1866 N. Country Lane, Michigan City, IN 46360
Phone 219-879-9225 • Toll Free 888-452-4053
Fax 219-879-9313 • email: sales@msfoster.com
www.msfooster.com

EXPAND your vision™

Voyager® VCCS150/B

CCD Color Wide View Observation Camera



General Specifications		
Power System	12VDC	
Operating Voltage Range	10V – 18VDC	
Power Consumption	200 mA (LED On)	
Operating Temperature Range	-20°C to +65°C	-4°F to 149°F
Storage Temperature Range	-30°C to +70°C	-22°F to 158°F
Operating Relative Humidity	100% RH	
Waterproof Rating	IPX7	
Overall Dimensions (without bracket)	2.7" x 1.7" x .57"	
Product Weight (unpacked)	8.8 oz	
Optical Specifications		
Video Output Signal Format	NTSC/PAL	
Video Signal Output Level	1Vp-p 75Ω	
Audio Output	200mV	
CMOS Specifications	Sensor	1/3" CCD
	Iris/Shutter Type	ELECTRONIC
	Shutter speed	1/60 ~ 1/100,00 Sec
	Resolution	330 TV Lines
	Sensitivity	0 Lux (with IR LED ON)
	Image Orientation	MIRROR
	View Angles	D
	H	120°
	V	90°