

Voyager® VCMS36L/R

Super CMOS Color Side Body Observation Camera



KEY FEATURES:

- Super CMOS color side body observation camera
- Waterproof (IPX7)
- 12 Volt DC
- Viewing Angle: 118°
- IR LED low light enhancement (0 Lux with IR LED on)
- NTSC video output signal format
- Mirror (reversed) image orientation
- Machined aluminium body
- Impact resistant plastic housing
- Dimensions: 1.65" W x 1.83" H x 3.32" D
- Available housing colors:

LEFT SIDE	RIGHT SIDE	HOUSING COLOR
VCMS36LWT	VCMS36RWT	White
VCMS36LCM	VCMS36RCM	Chrome



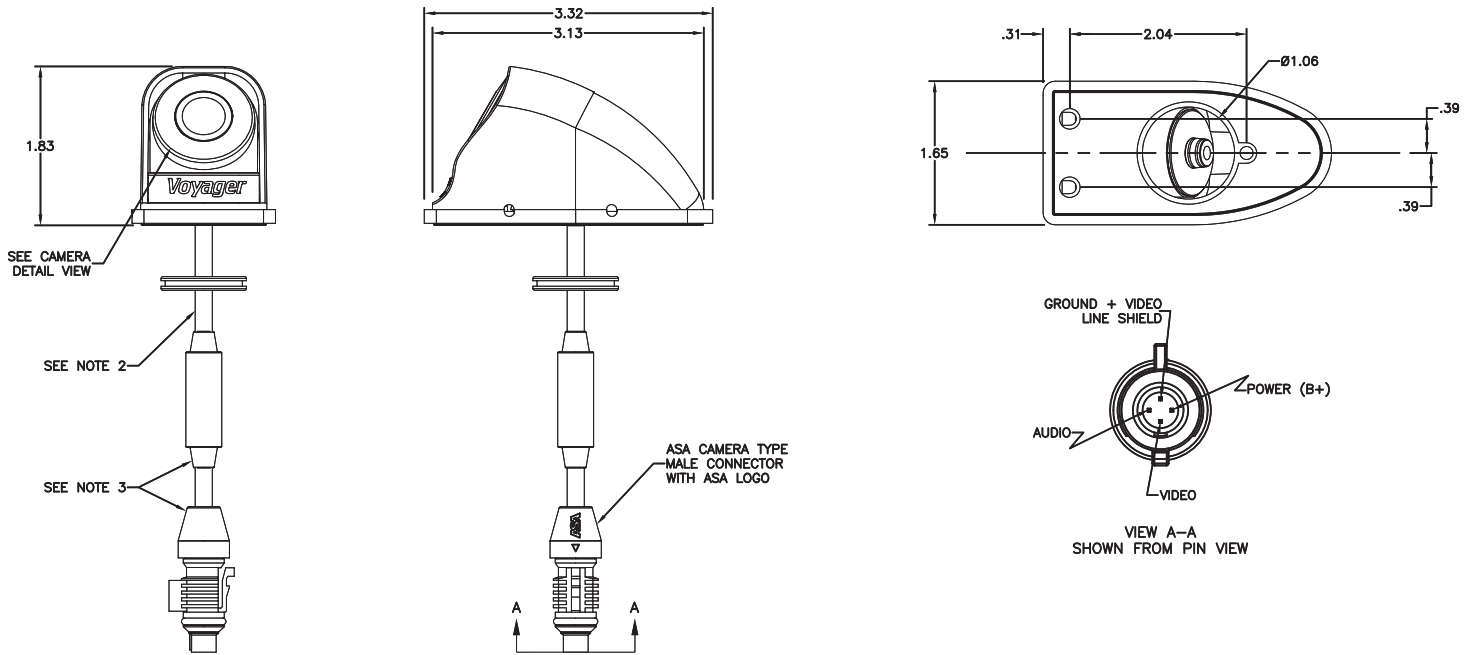
M. S. Foster & Associates

1866 N. Country Lane, Michigan City, IN 46360
Phone 219-879-9225 • Toll Free 888-452-4053
Fax 219-879-9313 • email: sales@msfoster.com
www.msfoster.com

EXPAND your vision™

Voyager® VCMS36L/R

Super CMOS Color Side Body Observation Camera



Power System	12VDC	
Operating Voltage Range	9.5V – 14VDC	
Power Consumption	1.8 Watt with LED's ON	
Storage Temperature Range	-4°F to 149°F	-20°C to 65°C
Operating Temperature Range	-40°F to 185°F	-40°C to 85°C
Operating Relative Humidity	100% RH	
Waterproof Rating	IPx7	
Overall Dimensions	1.65"W x 1.83"H x 3.32"D	
Product Weight (unpacked)	2.29 oz	

Optical Specifications

Video Output Signal Format		NTSC
Video Signal Output Level		1.0V p-p ; 75Ω
Audio Output		N/A
CMOS Specifications	Sensor	1/4" CMOS
	Iris/Shutter Type	Electronic Automatic
	Shutter speed	1/30 ~ 1/62500 sec
	Resolution	400 Lines
	Sensitivity	0 Lux
	Image Orientation	Mirror (Reversed)
	View Angles	D
	H	101°
	V	77°