



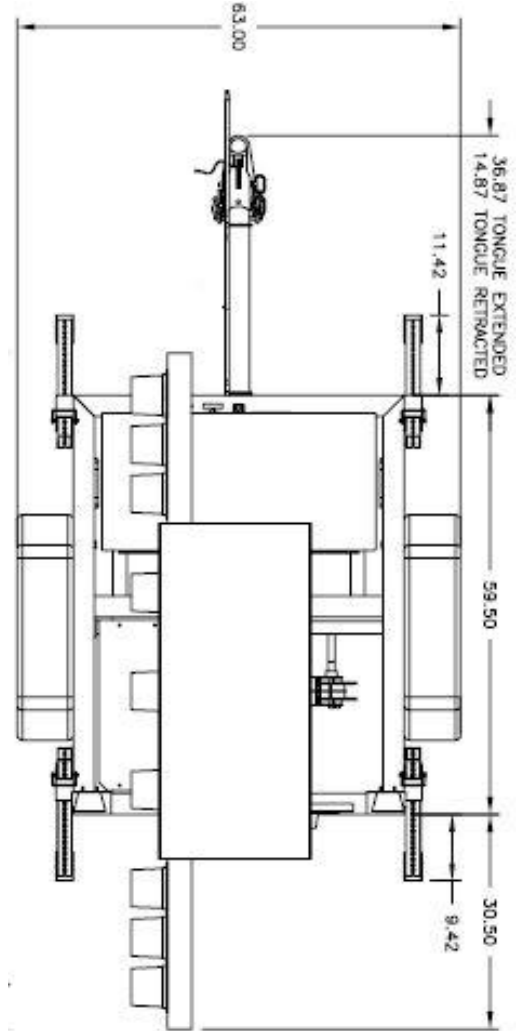
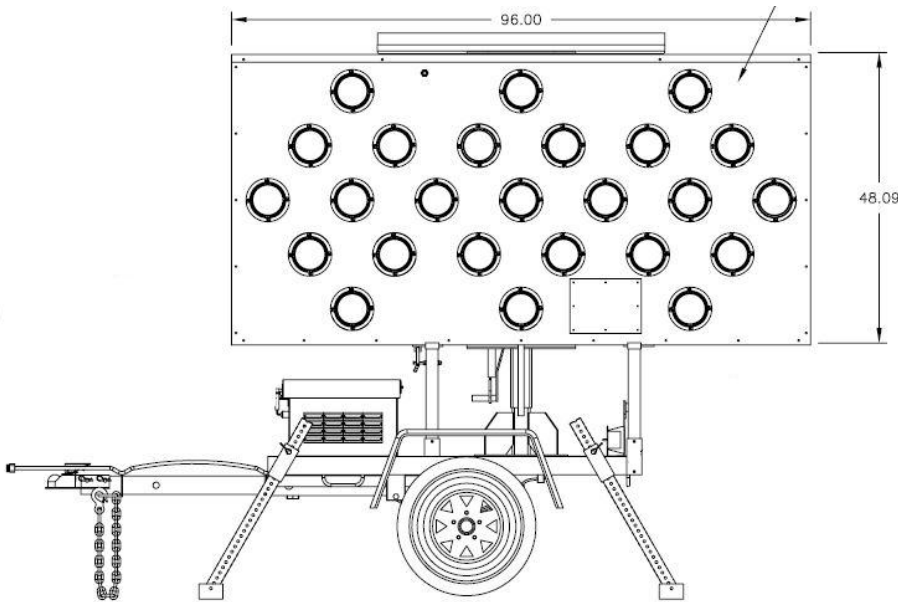


# PORTABLE FLASHING ARROW PANELS

15- and 25-lamp, Types B & C

**MODELS T615, T625, T815, T825**  
*CATALOG NUMBERS SUBJECT TO CHANGE*

MODEL	LAMPS	SIZE	LEGIBILITY
T615	15	TYPE B, 3'X6'	3/4 MILE
T625	25	TYPE B, 3'X6'	3/4 MILE
T815	15	TYPE C, 4'X8'	1 MILE
T825	25	TYPE C, 4'X8'	1 MILE



## TRAILER

Height	94" (storage & travel)	120-132" (deployed)
Length	127" (travel)	80" (w/ tongue removed)
Width	63"	
Trailer Frame	Steel Tube	3"x3" ASTM A 500 Grade B
Battery & Control Cabinet	Aluminum, locking & weatherproof	3003-H14
Solar	40W	Options Available
Batteries	2x6VDC Lead Acid	Options Available
Hitch	2" ball	Options Available

