

# Voyager<sup>®</sup>

Color CMOS IR LED Camera

# VCMS155/B



## PRODUCT FEATURES:

- High-performance color optics
- Waterproof (IP69K)
- Diagonal viewing angle: 140°
- IR low-light assist (10 LEDs)
- Selectable Normal/Mirror orientation
- Microphone
- Aluminum housing
- Corrosion Resistant (ASTM B117)
- Available in white (VCMS155) or black (VCMS155B)

EXPAND your vision™



**MS FOSTER**

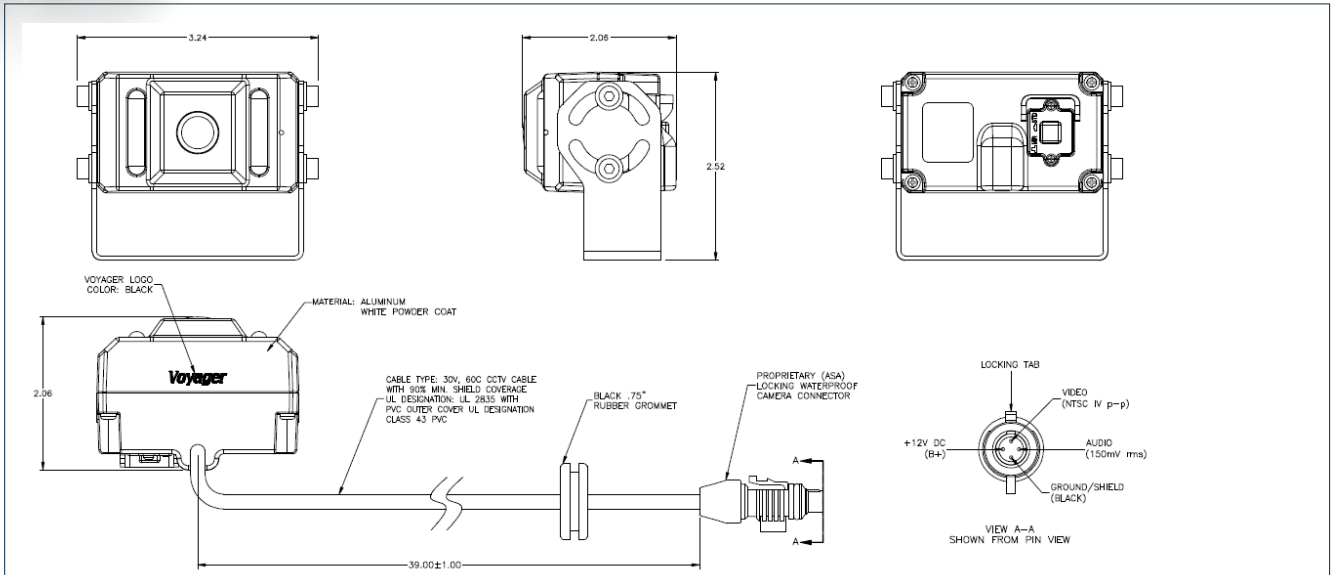
SERVING THE TRANSPORTATION INDUSTRY

CONTACT US 1-888-452-4053

1866 N. COUNTRY LANE SALES@MSFOSTER.COM  
MICHIGAN CITY, IN 46360 WWW.MSFOSTER.COM

# Voyager<sup>®</sup>

## Color CMOS IR LED Camera **VCMS155/B**



### **Specifications:** ES-0001 Electrical / ES-0013 Environmental

#### **General Specifications:**

|                                      |                    |                       |
|--------------------------------------|--------------------|-----------------------|
| Power System                         | 12VDC              |                       |
| Operating Voltage Range              | 9V – 15VDC         |                       |
| Power Consumption                    | 192 mA             |                       |
| Operating Temperature Range          | -22°F to 176°F     | -30°C to 80°C         |
| Storage Temperature Range            | -40°F to 185°F     | -40°C to 85°C         |
| Operating Relative Humidity          | 100% RH            |                       |
| Waterproof Rating                    | IP69K              |                       |
| Overall Dimensions (without bracket) | 1.6" x 2.1" x 2.7" | 40.9 x 52.3 x 68.8 mm |
| Product Weight (unpacked)            | 10.3 oz            | 292 g                 |

#### **Optical Specifications**

|                            |                   |                      |
|----------------------------|-------------------|----------------------|
| Video Output Signal Format | NTSC              |                      |
| Video Signal Output Level  | 1.0V p-p ; 75Ω    |                      |
| CCD Specifications         | Sensor            | 1/4" CMOS            |
|                            | Iris/Shutter Type | Electronic Automatic |
|                            | Shutter speed     | 1/60 s ~ 12 μs       |
|                            | Resolution        | 420 TV Lines         |
|                            | Sensitivity       | 0 Lux                |
|                            | Image Orientation | Mirror / Normal      |
|                            | View Angles       | D                    |
|                            | H                 | 112°                 |
|                            | V                 | 80°                  |