

# Voyager<sup>®</sup>

Color CMOS Camera

# VCMS501



## PRODUCT FEATURES:

- High performance color optics
- Waterproof (IP69K)
- CMOS technology
- IR low-light assist
- Microphone
- Compact size
- Corrosion resistant (ASTM B117)
- FCC, E9 certified

EXPAND your vision<sup>™</sup>



**MS FOSTER**

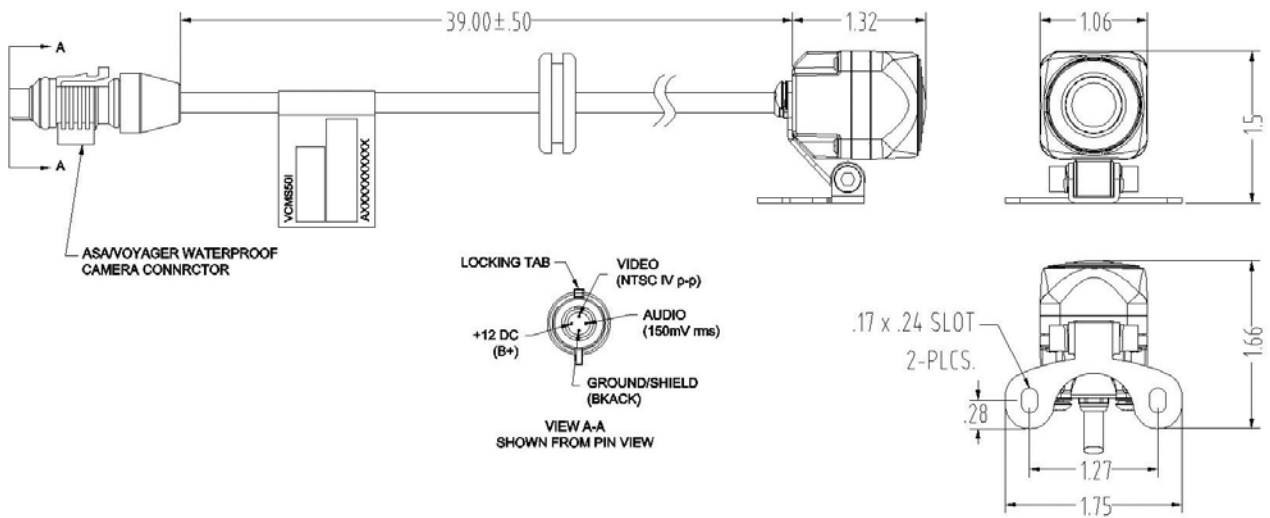
SERVING THE TRANSPORTATION INDUSTRY

CONTACT US 1-888-452-4053

1866 N. COUNTRY LANE SALES@MSFOSTER.COM  
MICHIGAN CITY, IN 46360 WWW.MSFOSTER.COM

# Voyager<sup>®</sup>

## Color CMOS Camera VCMS501



**Specifications:** Test Spec ES-0001

**General Specifications:**

Power System	12VDC	
Operating Voltage Range	9V – 15VDC	
Power Consumption	150 mA	
Operating Temperature Range	-4°F to 149°F	-20°C to 65°C
Storage Temperature Range	-22°F to 158°F	-30°C to 70°C
Operating Relative Humidity	100% RH	
Waterproof Rating	IP69K	
Overall Dimensions (without bracket)	1.5" x 1.32" x 1.06"	38.1 x 33.4 x 27 mm
Product Weight (unpackaged)	2.9 oz	83 g

**Optical Specifications**

Video Output Signal Format	NTSC	
Video Signal Output Level	1.0V p-p ; 75Ω	
CMOS Specifications	Sensor	1/4" CMOS
	Iris/Shutter Type	Electronic Automatic
	Shutter speed	1/60 s ~ 12 μs
	Resolution	380 TV Lines
	Sensitivity	0 Lux
	Image Orientation	Mirror
	View Angles	D
	H	120°
	V	90°