

Voyager[®]

Color CMOS Camera

VCMSYL50I



PRODUCT FEATURES:

- High performance color optics
- Waterproof (IP69K)
- CMOS technology
- IR low-light assist
- Compact size
- Corrosion resistant (ASTM B117)
- /available in right/left orientation

E X P A N D your vision[™]



MS FOSTER

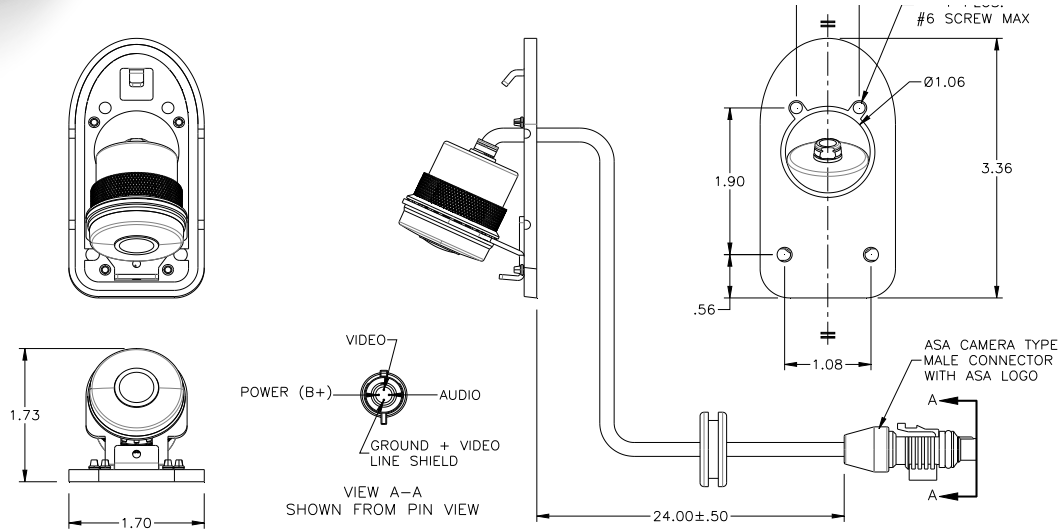
SERVING THE TRANSPORTATION INDUSTRY

CONTACT US 1-888-452-4053

1866 N. COUNTRY LANE SALES@MSFOSTER.COM
MICHIGAN CITY, IN 46360 WWW.MSFOSTER.COM

Voyager®

Color CMOS Camera VCMSYL50I



Specifications: Test Spec ES-0001 Electrical / ES-0013 Environmental

General Specifications:

Power System	12VDC	
Operating Voltage Range	9V – 15VDC	
Power Consumption	100 mA	
Operating Temperature Range	-22°F to 185°F	-30°C to 85°C
Storage Temperature Range	-40°F to 185°F	-40°C to 85°C
Operating Relative Humidity	100% RH	
Waterproof Rating	IP69K	
Overall Dimensions	1.7" x 3.4" x 1.7"	43.2 x 86.4 x 43.2 mm
Product Weight (unpackaged)	2.8 oz	80 g

Optical Specifications

Video Output Signal Format	NTSC	
Video Signal Output Level	1.0V p-p ; 75Ω	
CMOS Specifications	Sensor	1/4" CMOS
	Iris/Shutter Type	Electronic Automatic
	Shutter speed	1/60 s ~ 12 μs
	Resolution	400 TV Lines
	Sensitivity	0 Lux
	Image Orientation	Mirror
	View Angles	D
	H	120°
	V	90°