

# Voyager<sup>®</sup>

7" Heavy Duty, QuadView Monitor  
**VOM74WP**



## QUAD VIEW

### PRODUCT FEATURES:

- Engineered for heavy-duty, commercial use
- 7" digital color TFT LCD panel
- Single image, split-screen, or QuadView view modes
- Four camera inputs and six triggers
- DC auto source for switching triggers (turn signal compatible)
- Waterproof housing (IPX5)
- Backlit control buttons
- Built-in audio speaker
- AMPS and RAIL mounting provisions
- Manual/Auto Day/Night display brightness control
- Flush-mount installation kit included
- CE, FCC, e-Mark certified

EXPAND your vision™



**MS FOSTER**

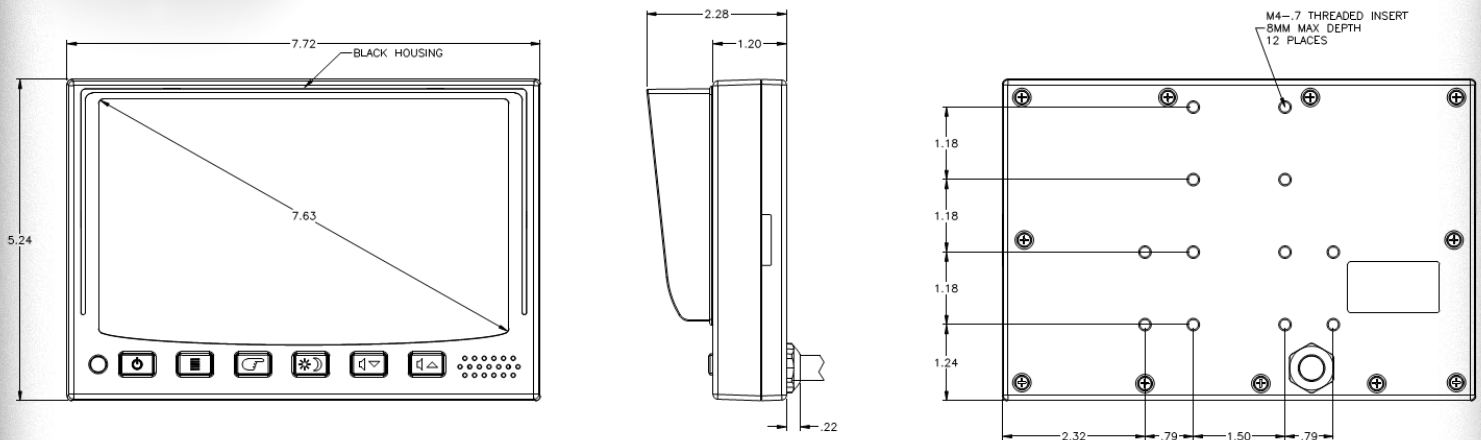
SERVING THE TRANSPORTATION INDUSTRY

CONTACT US 1-888-452-4053

1866 N. COUNTRY LANE SALES@MSFOSTER.COM  
MICHIGAN CITY, IN 46360 WWW.MSFOSTER.COM

# Voyager<sup>®</sup>

## 7" Heavy Duty, QuadView Monitor **VOM74WP**



### Specifications

Power System	12 / 24 VDC
Operating Voltage Range	10 ~ 32V
Power Consumption (MAX)	600 mA
Operating Temperature Range	-20°C to 70°C
Storage Temperature Range	-20°C to 70°C
Operating Relative Humidity	100%
Overall Dimensions (inches)	1.2(D) x 5.2(H) x 7.7(W)
Product Weight (unpackaged)	2 lbs. 3 oz.
Video Output Signal Format	NTSC/PAL
Video Signal Level	1.0V p-p ; 75Ω
Audio	0.2 watt
Resolution	800(H) x 480(V)
View Angles	60°(TOP), 70°(BOTTOM), 75°(LEFT, RIGHT)
Brightness	450 nit
Contrast Ratio	500:1
Response Time	5ms(R) 20ms(F)
Display Format	16:9