

# Voyager<sup>®</sup>

Digital Wireless Observation System

# WVOS713

FEATURING  
**WiSight<sup>®</sup>** technology



#### PRODUCT FEATURES:

- System includes: 7" LCD monitor, super CMOS wireless back-up camera, suction cup monitor mount, 12V DC plug
- Easy installation, fits most applications
- Three camera inputs (one wireless, two wired)
- Camera connects to rear lights or other 12V DC power source
- Strong signal transmits through and around objects up to 60 feet away

EXPAND your vision<sup>™</sup>



**MS FOSTER**

SERVING THE TRANSPORTATION INDUSTRY

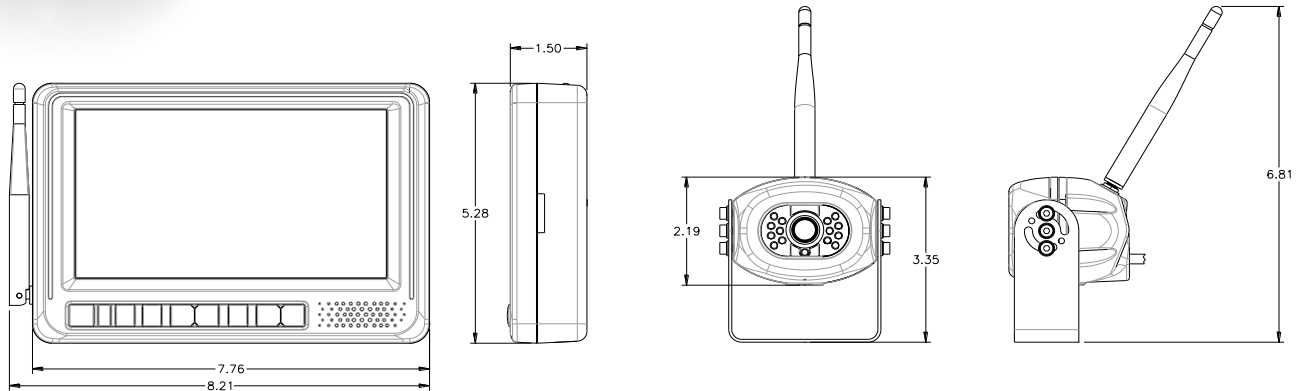
CONTACT US 1-888-452-4053

1866 N. COUNTRY LANE SALES@MSFOSTER.COM  
MICHIGAN CITY, IN 46360 WWW.MSFOSTER.COM

# Voyager<sup>®</sup>

## Digital Wireless Observation System

# WVOS713



Specifications	CAMERA	MONITOR
Power System	12VDC	12VDC
Operating Voltage Range	10 ~14V	10 ~ 16V
Power Consumption (MAX)	376mA	760mA
Operating Temperature Range	-4°F to 149°F	-4°F to 149°F
Storage Temperature Range	-40°F to 185°F	-40°F to 185°F
Operating Relative Humidity	100%	95%
Waterproof Rating	IPX6	NA
Overall Dimensions	5.8" x 3" x 3.3"	5.3" x 1.5" x 8.2"
Product Weight (unpackaged)	14 oz	16.2 oz
Video Output Signal Format	NTSC	NTSC
Video Signal Level	1.0V p-p ; 75Ω	1.0V p-p ; 75Ω
Audio	Microphone	1 watt
Sensor	1/4" CMOS	NA
Sensitivity	0 Lux	NA
Image Orientation	Mirror (Reversed)	NA
Resolution	380 Lines	480(W) x 234(H)
View Angles	135°(D) 102°(H) 72°(V)	140°(H) 120°(V)
Brightness	NA	450 nit
Contrast Ratio	NA	400:1
Response Time	NA	15ms(R) 20ms(F)
Display Format	NA	16:9