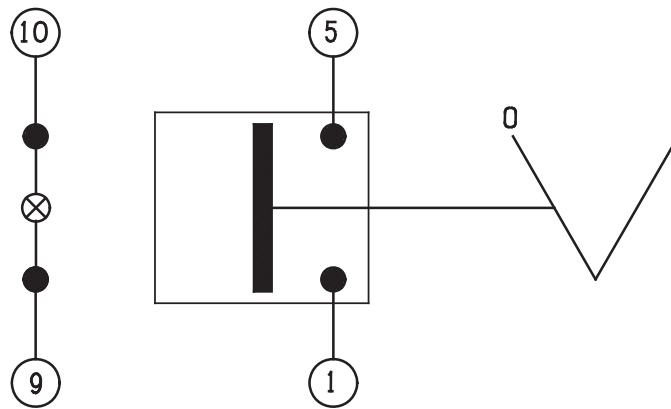


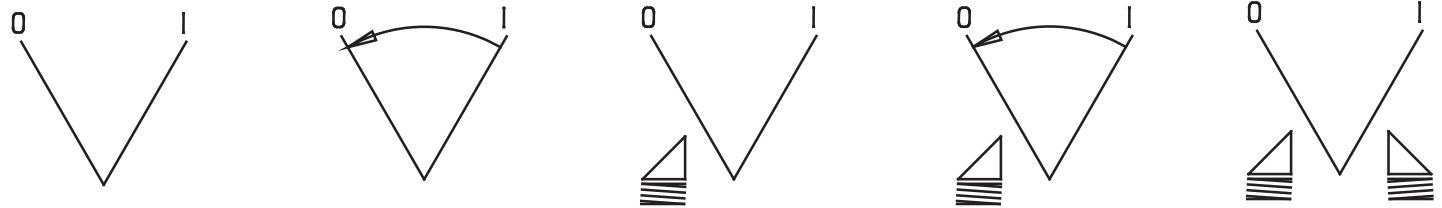
SCHEMATIC OPERATION

NOTES:

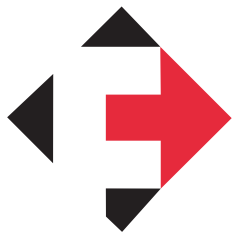
1. CONTACT CAPACITY (RESISTIVE/LAMP):  
16A @ 13.5V  
10A @ 27.5V
2. TERMINALS 9 & 10 ARE FOR LIGHTING.
3. THE SCHEMATIC, SWITCH FEATURES AND LIGHTING ARE COMMON BETWEEN THE 511.XXX, 512.XXX AND 516.XXX SERIES OF SWITCHES.



SWITCH OPERATION



| LIGHTING            | BASIC SWITCH    | MOMENTARY       | LOCK OFF        | MOMENTARY I<br>LOCK OFF | LOCK ON & OFF   |
|---------------------|-----------------|-----------------|-----------------|-------------------------|-----------------|
| NONE                | 000 - 12V/24V   | 007 - 12V/24V   | 167 - 12V/24V   | 160 - 12V/24V           | 174 - 12V/24V   |
| GENERAL             | 001-12V 002-24V | 008-12V 009-24V | 168-12V 169-24V | 161-12V 162-24V         | 175-12V 176-24V |
| LOCATING            | 003-12V 004-24V | 010-12V 011-24V | 170-12V 171-24V | 163-12V 164-24V         | 177-12V 178-24V |
| LOCATING & FUNCTION | 005-12V 006-24V |                 | 172-12V 173-24V | 165-12V 166-24V         | 179-12V 180-24V |



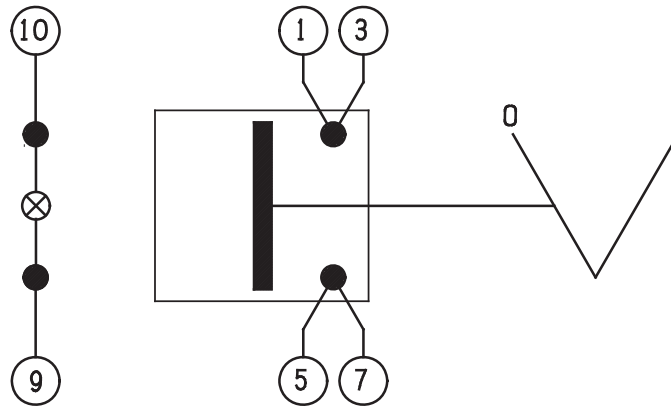
**M. S. Foster & Associates, Inc.**

1866 N. Country Lane, Michigan City, IN 46360  
 Phone 219-380-3266 or 219-879-9225 • Toll Free 888-452-4053  
 Fax 219-879-9313 • email: sales@msfoster.com  
 www.msfooster.com

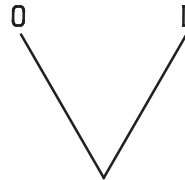
SCHEMATIC OPERATION

NOTES:

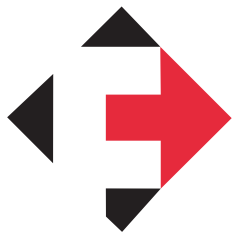
1. CONTACT CAPACITY (RESISTIVE/LAMP):  
16A @ 13.5V  
10A @ 27.5V
2. TERMINALS 9 & 10 ARE FOR LIGHTING.
3. THE SCHEMATIC, SWITCH FEATURES AND LIGHTING ARE COMMON BETWEEN THE 511.XXX, 512.XXX AND 516.XXX SERIES OF SWITCHES.



SWITCH OPERATION



| LIGHTING            | BASIC SWITCH    | MOMENTARY | LOCK OFF | MOMENTARY I<br>LOCK OFF | LOCK ON & OFF |
|---------------------|-----------------|-----------|----------|-------------------------|---------------|
| NONE                | 012 - 12V/24V   |           |          |                         |               |
| GENERAL             | 013-12V 014-24V |           |          |                         |               |
| LOCATING            | 015-12V 016-24V |           |          |                         |               |
| LOCATING & FUNCTION | 017-12V 018-24V |           |          |                         |               |



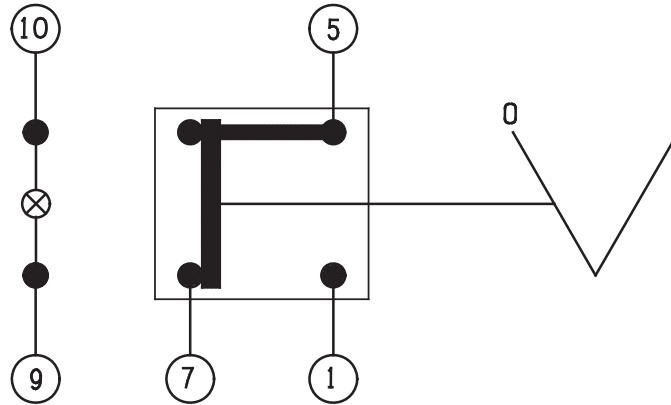
**M. S. Foster & Associates, Inc.**

1866 N. Country Lane, Michigan City, IN 46360  
 Phone 219-380-3266 or 219-879-9225 • Toll Free 888-452-4053  
 Fax 219-879-9313 • email: sales@msfoster.com  
 www.msfooster.com

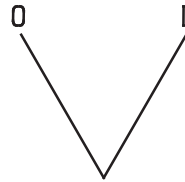
SCHEMATIC OPERATION

NOTES:

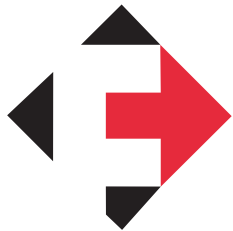
1. CONTACT CAPACITY (RESISTIVE/LAMP):  
16A @ 13.5V  
10A @ 27.5V
2. TERMINALS 9 & 10 ARE FOR LIGHTING.
3. THE SCHEMATIC, SWITCH FEATURES AND LIGHTING ARE COMMON BETWEEN THE 511.XXX, 512.XXX AND 516.XXX SERIES OF SWITCHES.



SWITCH OPERATION



| LIGHTING            | BASIC SWITCH    | MOMENTARY | LOCK OFF | MOMENTARY I<br>LOCK OFF | LOCK ON & OFF |
|---------------------|-----------------|-----------|----------|-------------------------|---------------|
| NONE                | 019 - 12V/24V   |           |          |                         |               |
| GENERAL             | 020-12V 021-24V |           |          |                         |               |
| LOCATING            | 022-12V 023-24V |           |          |                         |               |
| LOCATING & FUNCTION | 024-12V 025-24V |           |          |                         |               |



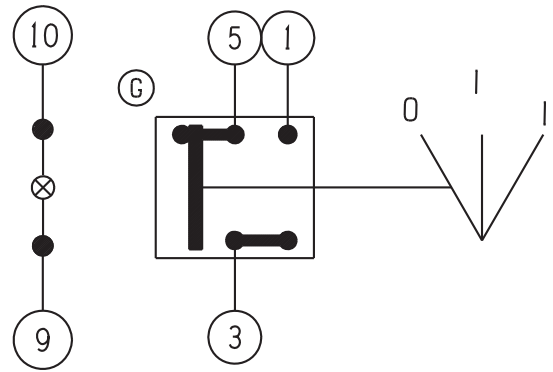
**M. S. Foster & Associates, Inc.**

1866 N. Country Lane, Michigan City, IN 46360  
 Phone 219-380-3266 or 219-879-9225 • Toll Free 888-452-4053  
 Fax 219-879-9313 • email: sales@msfoster.com  
 www.msfooster.com

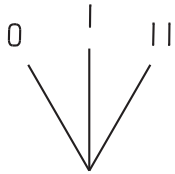
## NOTES:

1. CONTACT CAPACITY (RESISTIVE/LAMP):  
16A @ 13.5V, 8A @ 27.5V
2. TERMINALS 9 & 10 ARE FOR LIGHTING.
3. THE SCHEMATIC, SWITCH FEATURES, AND LIGHTING ARE COMMON BETWEEN THE 511.XXX, 512.XXX AND 516.XXX SERIES OF SWITCHES.

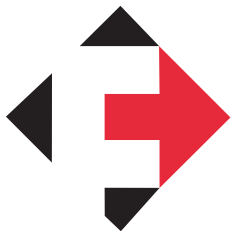
## SCHEMATIC OPERATION



## SWITCH OPERATION



| LIGHTING            | BASIC SWITCH    |
|---------------------|-----------------|
| NONE                | 026 - 12V/24V   |
| GENERAL             | 027-12V 028-24V |
| LOCATION            | 029-12V 030-24V |
| LOCATION & FUNCTION | 031-12V 032-24V |



**M. S. Foster & Associates, Inc.**

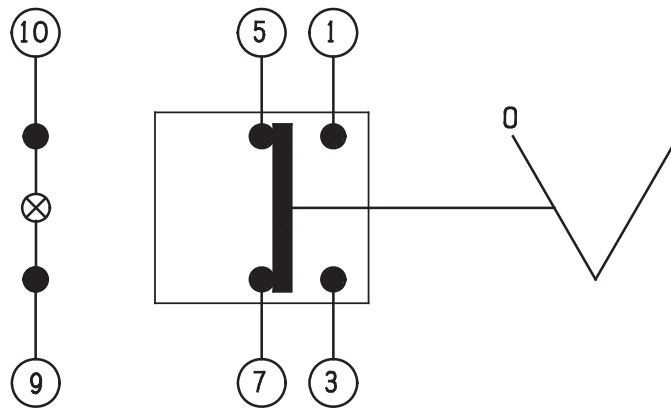
1866 N. Country Lane, Michigan City, IN 46360  
 Phone 219-380-3266 or 219-879-9225 • Toll Free 888-452-4053  
 Fax 219-879-9313 • email: sales@msfoster.com  
 www.msfooster.com

ERD6-5

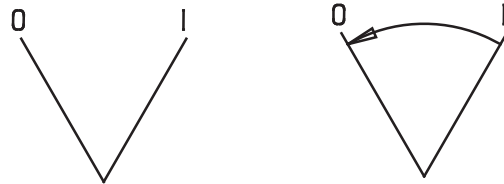
SCHEMATIC OPERATION

NOTES:

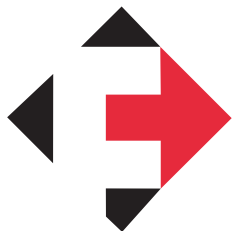
1. CONTACT CAPACITY (RESISTIVE/LAMP):  
16A @ 13.5V  
10A @ 27.5V
2. TERMINALS 9 & 10 ARE FOR LIGHTING.
3. THE SCHEMATIC, SWITCH FEATURES AND LIGHTING ARE COMMON BETWEEN THE 511.XXX, 512.XXX AND 516.XXX SERIES OF SWITCHES.



SWITCH OPERATION



| LIGHTING            | BASIC SWITCH    | MOMENTARY I     | LOCK OFF | MOMENTARY ON LOCK OFF | LOCK ON & OFF |
|---------------------|-----------------|-----------------|----------|-----------------------|---------------|
| NONE                | 033 - 12V/24V   | 040 - 12V/24V   |          |                       |               |
| GENERAL             | 034-12V 035-24V | 041-12V 042-24V |          |                       |               |
| LOCATING            | 036-12V 037-24V | 043-12V 044-24V |          |                       |               |
| LOCATING & FUNCTION | 038-12V 039-24V | _____           |          |                       |               |



**M. S. Foster & Associates, Inc.**

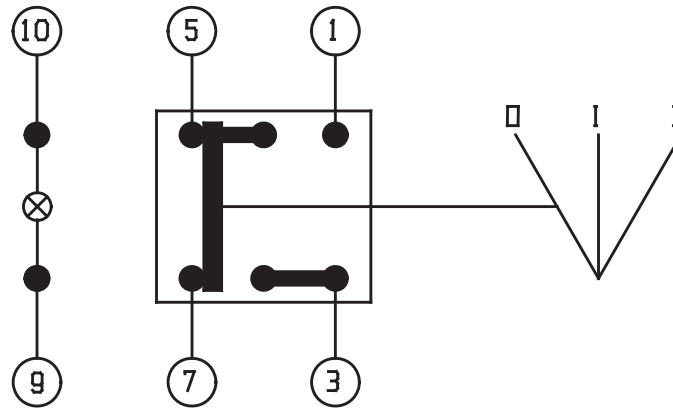
1866 N. Country Lane, Michigan City, IN 46360  
 Phone 219-380-3266 or 219-879-9225 • Toll Free 888-452-4053  
 Fax 219-879-9313 • email: sales@msfoster.com  
 www.msfoster.com

ERD6-5

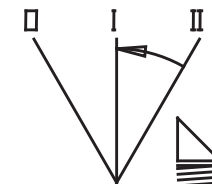
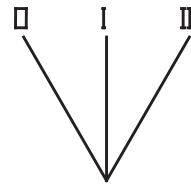
SCHEMATIC OPERATION

NOTES:

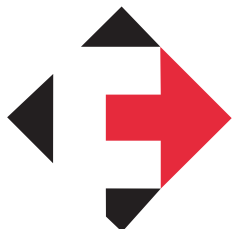
1. CONTACT CAPACITY (RESISTIVE/LAMP):  
16A @ 13.5V  
10A @ 27.5V
2. TERMINALS 9 & 10 ARE FOR LIGHTING.
3. THE SCHEMATIC, SWITCH FEATURES AND LIGHTING ARE COMMON BETWEEN THE 511.XXX, 512.XXX AND 516.XXX SERIES OF SWITCHES.



SWITCH OPERATION



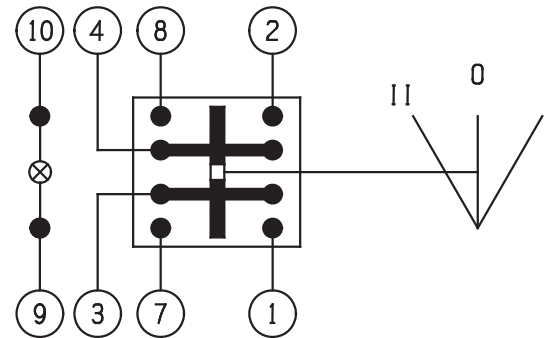
| LIGHTING            | BASIC SWITCH    | MOMENTARY | LOCK OFF | MOMENTARY I-II<br>LOCK OFF II | LOCK ON & OFF |
|---------------------|-----------------|-----------|----------|-------------------------------|---------------|
| NONE                | 045 - 12V/24V   |           |          | 202 - 12V/24V                 |               |
| GENERAL             | 046-12V 047-24V |           |          | 203-12V 204-24V               |               |
| LOCATING            | 048-12V 049-24V |           |          | 205-12V 206-24V               |               |
| LOCATING & FUNCTION |                 |           |          | 207-12V 208-24V               |               |



**M. S. Foster & Associates, Inc.**

1866 N. Country Lane, Michigan City, IN 46360  
 Phone 219-380-3266 or 219-879-9225 • Toll Free 888-452-4053  
 Fax 219-879-9313 • email: sales@msfoster.com  
 www.msfooster.com

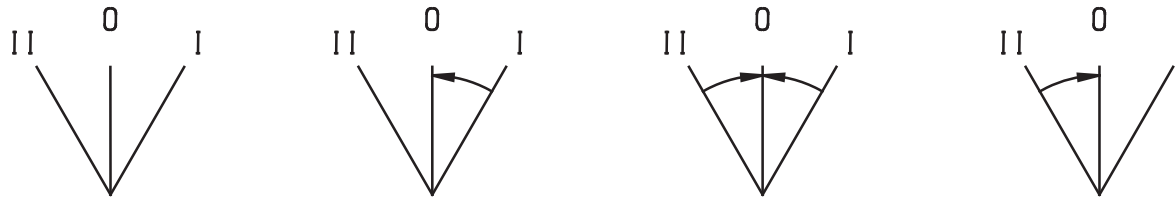
**SCHEMATIC OPERATION** (F)



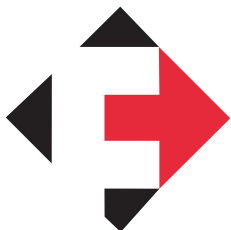
**NOTES:**

- (F) 1. CONTACT CAPACITY (RESISTIVE/LAMP):  
16A @ 13.5V, 8A @ 27.5V
- 2. TERMINALS 9 & 10 ARE FOR LIGHTING.
- 3. THE SCHEMATIC, SWITCH FEATURES, AND LIGHTING ARE COMMON BETWEEN THE 511.XXX, 512.XXX AND 516.XXX SERIES OF SWITCHES.

**SWITCH OPERATION** (F)



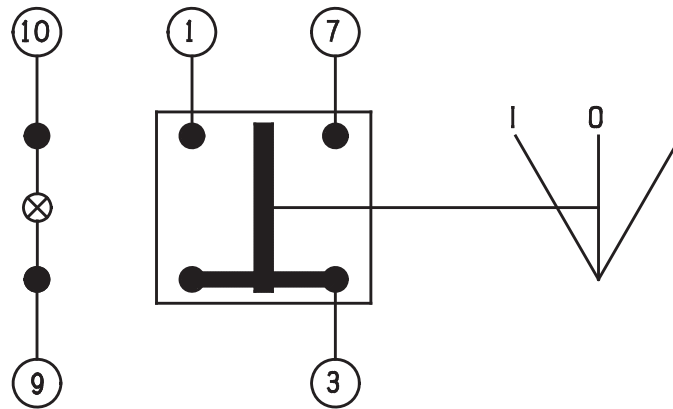
| LIGHTING            | BASIC SWITCH    | MOMENTARY I     | MOMENTARY I & II | MOMENTARY II    | LOCK ON & OFF |
|---------------------|-----------------|-----------------|------------------|-----------------|---------------|
| NONE                | 050 - 12V/24V   | 060 - 12V/24V   | 055 - 12V/24V    | 726 - 12V/24V   |               |
| GENERAL             | 051-12V 052-24V | 061-12V 062-24V | 056-12V 057-24V  | 725-12V 724-24V |               |
| LOCATION            | 053-12V 054-24V | 063-12V 064-24V | 058-12V 059-24V  | 723-12V 722-24V |               |
| LOCATION & FUNCTION |                 |                 |                  | 719-12V 718-24V |               |



**M. S. Foster & Associates, Inc.**

1866 N. Country Lane, Michigan City, IN 46360  
 Phone 219-380-3266 or 219-879-9225 • Toll Free 888-452-4053  
 Fax 219-879-9313 • email: sales@msfoster.com  
 www.msfooster.com

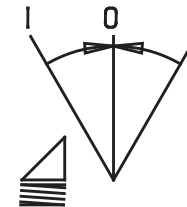
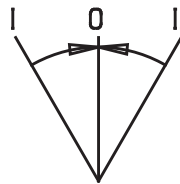
SCHEMATIC OPERATION



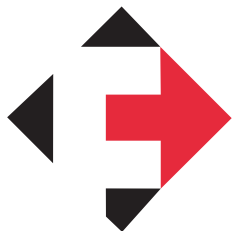
NOTES:

1. CONTACT CAPACITY (RESISTIVE/LAMP):  
16A @ 13.5V  
10A @ 27.5V
2. TERMINALS 9 & 10 ARE FOR LIGHTING.
3. THE SCHEMATIC, SWITCH FEATURES AND LIGHTING ARE COMMON BETWEEN THE 511.XXX, 512.XXX AND 516.XXX SERIES OF SWITCHES.

SWITCH OPERATION



| LIGHTING            | BASIC SWITCH | MOMENTARY I & II | LOCK OFF | MOMENTARY I&II<br>LOCK OFF 0-I | LOCK ON & OFF |
|---------------------|--------------|------------------|----------|--------------------------------|---------------|
| NONE                |              | 065 - 12V/24V    |          | 286 - 12V/24V                  |               |
| GENERAL             |              | 066-12V 067-24V  |          | 287-12V 288-24V                |               |
| LOCATING            |              | 068-12V 069-24V  |          | 289-12V 290-24V                |               |
| LOCATING & FUNCTION |              |                  |          |                                |               |

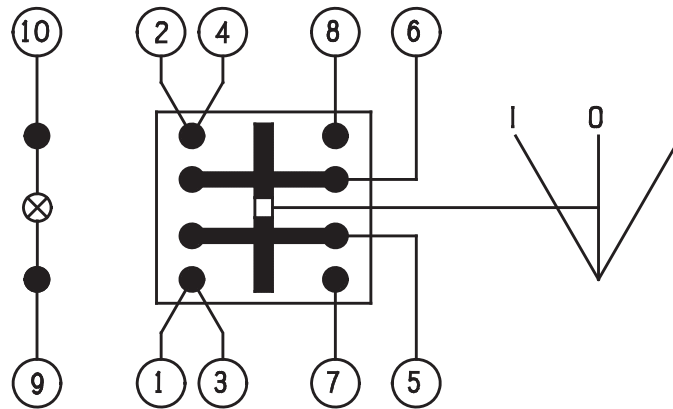


**M. S. Foster & Associates, Inc.**

1866 N. Country Lane, Michigan City, IN 46360  
 Phone 219-380-3266 or 219-879-9225 • Toll Free 888-452-4053  
 Fax 219-879-9313 • email: sales@msfoster.com  
 www.msfooster.com



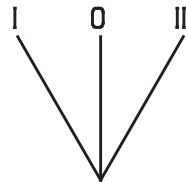
SCHEMATIC OPERATION



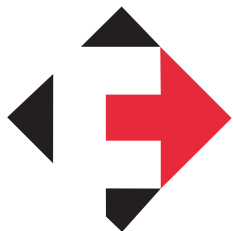
NOTES:

1. CONTACT CAPACITY (RESISTIVE/LAMP):  
16A @ 13.5V  
10A @ 27.5V
2. TERMINALS 9 & 10 ARE FOR LIGHTING.
3. THE SCHEMATIC SWITCH FEATURES AND LIGHTING ARE COMMON BETWEEN THE 511.XXX, 512.XXX AND 516.XXX SERIES OF SWITCHES.

SWITCH OPERATION



| LIGHTING            | BASIC SWITCH    | MOMENTARY | LOCK OFF | MOMENTARY ON LOCK OFF | LOCK ON & OFF |
|---------------------|-----------------|-----------|----------|-----------------------|---------------|
| NONE                | 070 - 12V/24V   |           |          |                       |               |
| GENERAL             | 071-12V 072-24V |           |          |                       |               |
| LOCATING            | 073-12V 074-24V |           |          |                       |               |
| LOCATING & FUNCTION |                 |           |          |                       |               |



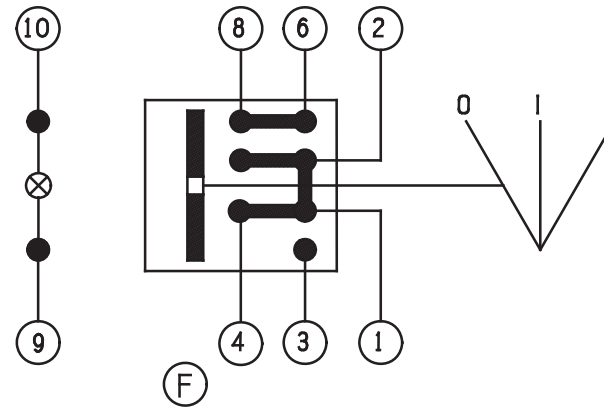
**M. S. Foster & Associates, Inc.**

1866 N. Country Lane, Michigan City, IN 46360  
 Phone 219-380-3266 or 219-879-9225 • Toll Free 888-452-4053  
 Fax 219-879-9313 • email: sales@msfoster.com  
 www.msfooster.com

NOTES: UNLESS OTHERWISE SPECIFIED:

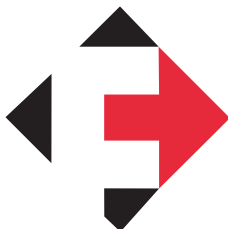
1. CONTACT CAPACITY  
(RESISTIVE/LAMP):  
16A @ 13.5V  
10A @ 27.5V.
2. TERMINALS 9 & 10 ARE FOR LIGHTING.
3. THE SCHEMATIC, SWITCH FEATURES AND LIGHTING ARE COMMON BETWEEN THE 511.XXX, 512.XXX AND 516.XXX SERIES OF SWITCHES.

SCHEMATIC OPERATION



SWITCH OPERATION

| LIGHTING            | BASIC SWITCH    |
|---------------------|-----------------|
| NONE                | 075 - 12V/24V   |
| GENERAL             | 076-12V 077-24V |
| LOCATING            | 078-12V 079-24V |
| LOCATING & FUNCTION |                 |



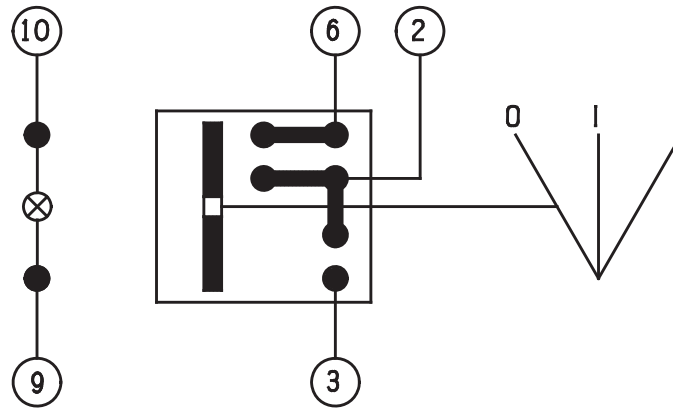
**M. S. Foster & Associates, Inc.**

1866 N. Country Lane, Michigan City, IN 46360  
 Phone 219-380-3266 or 219-879-9225 • Toll Free 888-452-4053  
 Fax 219-879-9313 • email: sales@msfoster.com  
 www.msfooster.com

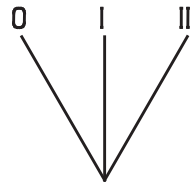
SCHEMATIC OPERATION

NOTES:

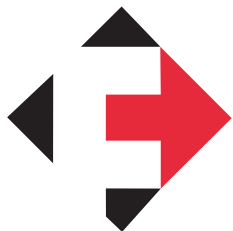
1. CONTACT CAPACITY (RESISTIVE/LAMP):  
16A @ 13.5V  
10A @ 27.5V
2. TERMINALS 9 & 10 ARE FOR LIGHTING.
3. THE SCHEMATIC SWITCH FEATURES AND LIGHTING ARE COMMON BETWEEN THE 511.XXX, 512.XXX AND 516.XXX SERIES OF SWITCHES.



SWITCH OPERATION



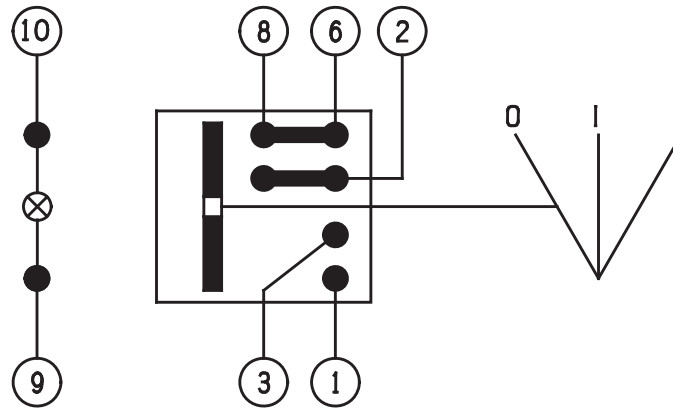
| LIGHTING            | BASIC SWITCH    | MOMENTARY | LOCK OFF | MOMENTARY ON LOCK OFF | LOCK ON & OFF |
|---------------------|-----------------|-----------|----------|-----------------------|---------------|
| NONE                | 080 - 12V/24V   |           |          |                       |               |
| GENERAL             | 081-12V 082-24V |           |          |                       |               |
| LOCATING            | 083-12V 084-24V |           |          |                       |               |
| LOCATING & FUNCTION | 209-12V 210-24V |           |          |                       |               |



**M. S. Foster & Associates, Inc.**

1866 N. Country Lane, Michigan City, IN 46360  
 Phone 219-380-3266 or 219-879-9225 • Toll Free 888-452-4053  
 Fax 219-879-9313 • email: sales@msfoster.com  
 www.msfoster.com

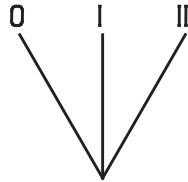
SCHEMATIC OPERATION



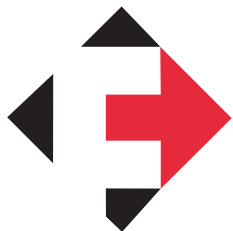
NOTES:

1. CONTACT CAPACITY (RESISTIVE/LAMP):  
16A @ 13.5V  
10A @ 27.5V
2. TERMINALS 9 & 10 ARE FOR LIGHTING.
3. THE SCHEMATIC, SWITCH FEATURES AND LIGHTING ARE COMMON BETWEEN THE 511.XXX, 512.XXX AND 516.XXX SERIES OF SWITCHES.

SWITCH OPERATION



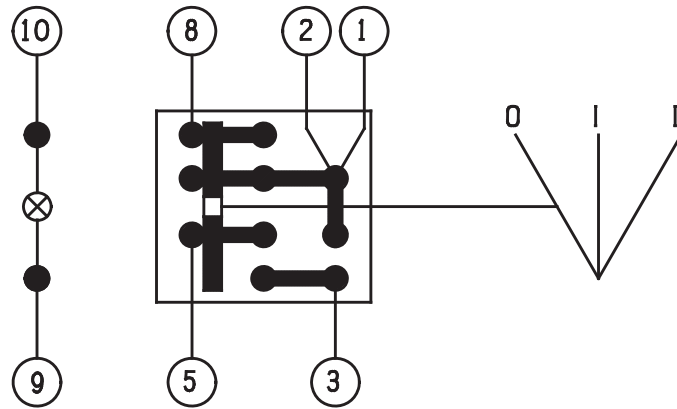
| LIGHTING            | BASIC SWITCH    | MOMENTARY | LOCK OFF | MOMENTARY ON LOCK OFF | LOCK ON & OFF |
|---------------------|-----------------|-----------|----------|-----------------------|---------------|
| NONE                | 085 - 12V/24V   |           |          |                       |               |
| GENERAL             | 086-12V 087-24V |           |          |                       |               |
| LOCATING            | 088-12V 089-24V |           |          |                       |               |
| LOCATING & FUNCTION | 138-12V 137-24V |           |          |                       |               |



**M. S. Foster & Associates, Inc.**

1866 N. Country Lane, Michigan City, IN 46360  
 Phone 219-380-3266 or 219-879-9225 • Toll Free 888-452-4053  
 Fax 219-879-9313 • email: sales@msfoster.com  
 www.msfooster.com

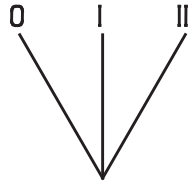
SCHEMATIC OPERATION



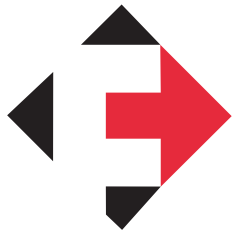
NOTES:

1. CONTACT CAPACITY (RESISTIVE/LAMP):  
16A @ 13.5V  
10A @ 27.5V
2. TERMINALS 9 & 10 ARE FOR LIGHTING.
3. THE SCHEMATIC, SWITCH FEATURES AND LIGHTING ARE COMMON BETWEEN THE 511.XXX, 512.XXX AND 516.XXX SERIES OF SWITCHES.

SWITCH OPERATION



| LIGHTING            | BASIC SWITCH    | MOMENTARY | LOCK OFF | MOMENTARY ON LOCK OFF | LOCK ON & OFF |
|---------------------|-----------------|-----------|----------|-----------------------|---------------|
| NONE                | 095 - 12V/24V   |           |          |                       |               |
| GENERAL             | 096-12V 097-24V |           |          |                       |               |
| LOCATING            | 098-12V 099-24V |           |          |                       |               |
| LOCATING & FUNCTION | 711-12V 712-24V |           |          |                       |               |



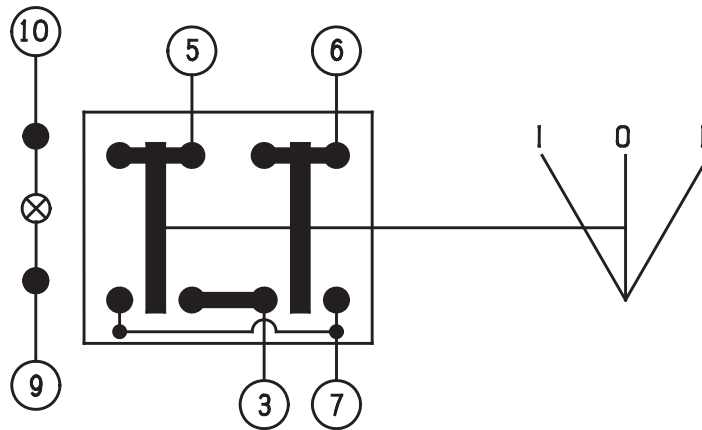
**M. S. Foster & Associates, Inc.**

1866 N. Country Lane, Michigan City, IN 46360  
 Phone 219-380-3266 or 219-879-9225 • Toll Free 888-452-4053  
 Fax 219-879-9313 • email: sales@msfoster.com  
 www.msfoster.com

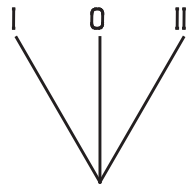
SCHMATIC OPERATION

NOTES:

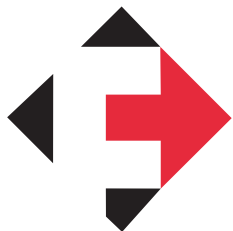
1. CONTACT CAPACITY (RESISTIVE/LAMP):  
16A @ 13.5V  
10A @ 27.5V
2. TERMINALS 9 & 10 ARE FOR LIGHTING.
3. THE SCHEMATIC, SWITCH FEATURES AND LIGHTING ARE COMMON BETWEEN THE 511.XXX, 512.XXX AND 516.XXX SERIES OF SWITCHES.



SWITCH OPERATION



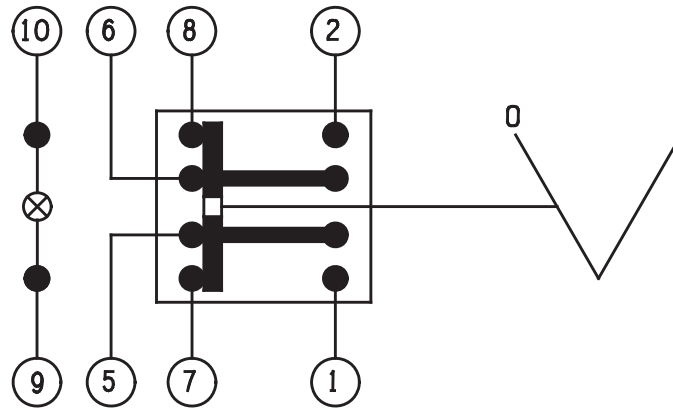
| LIGHTING            | BASIC SWITCH    | MOMENTARY | LOCK OFF | MOMENTARY ON LOCK OFF | LOCK ON & OFF |
|---------------------|-----------------|-----------|----------|-----------------------|---------------|
| NONE                | 100 - 12V/24V   |           |          |                       |               |
| GENERAL             | 101-12V 102-24V |           |          |                       |               |
| LOCATING            | 103-12V 104-24V |           |          |                       |               |
| LOCATING & FUNCTION |                 |           |          |                       |               |



**M. S. Foster & Associates, Inc.**

1866 N. Country Lane, Michigan City, IN 46360  
 Phone 219-380-3266 or 219-879-9225 • Toll Free 888-452-4053  
 Fax 219-879-9313 • email: sales@msfoster.com  
 www.msfoster.com

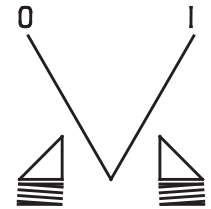
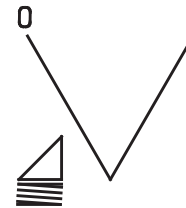
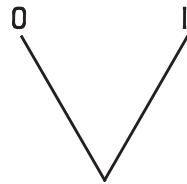
SCHEMATIC OPERATION



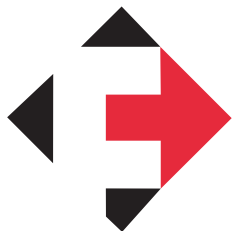
NOTES:

1. CONTACT CAPACITY (RESISTIVE/LAMP):  
16A @ 13.5V  
10A @ 27.5V
2. TERMINALS 9 & 10 ARE FOR LIGHTING.
3. THE SCHEMATIC SWITCH FEATURES AND LIGHTING ARE COMMON BETWEEN THE 511.XXX, 512.XXX AND 516.XXX SERIES OF SWITCHES.

SWITCH OPERATION



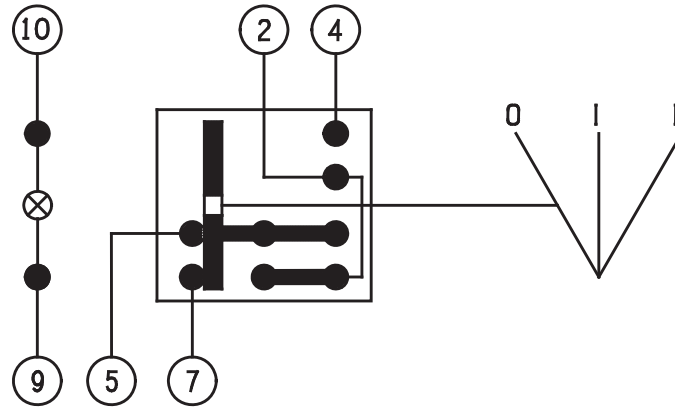
| LIGHTING            | BASIC SWITCH    | MOMENTARY | LOCK OFF        | MOMENTARY ON LOCK OFF | LOCK ON & OFF   |
|---------------------|-----------------|-----------|-----------------|-----------------------|-----------------|
| NONE                | 105 - 12V/24V   |           | 233 - 12V/24V   |                       | 181 - 12V/24V   |
| GENERAL             | 106-12V 107-24V |           | 234-12V 235-24V |                       | 182-12V 183-24V |
| LOCATING            | 108-12V 109-24V |           | 236-12V 237-24V |                       | 184-12V 185-24V |
| LOCATING & FUNCTION | 110-12V 111-24V |           | 238-12V 239-24V |                       | 186-12V 187-24V |



**M. S. Foster & Associates, Inc.**

1866 N. Country Lane, Michigan City, IN 46360  
 Phone 219-380-3266 or 219-879-9225 • Toll Free 888-452-4053  
 Fax 219-879-9313 • email: sales@msfoster.com  
 www.msfooster.com

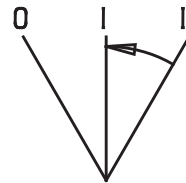
SCHMATIC OPERATION



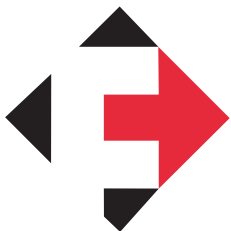
NOTES:

1. CONTACT CAPACITY (RESISTIVE/LAMP):  
16A @ 13.5V  
10A @ 27.5V
2. TERMINALS 9 & 10 ARE FOR LIGHTING.
3. THE SCHEMATIC, SWITCH FEATURES AND LIGHTING ARE COMMON BETWEEN THE 511.XXX, 512.XXX AND 516.XXX SERIES OF SWITCHES.

SWITCH OPERATION



| LIGHTING            | BASIC SWITCH | MOMENTARY I I   | LOCK OFF | MOMENTARY ON LOCK OFF | LOCK ON & OFF |
|---------------------|--------------|-----------------|----------|-----------------------|---------------|
| NONE                |              | 112 - 12V/24V   |          |                       |               |
| GENERAL             |              | 113-12V 114-24V |          |                       |               |
| LOCATING            |              | 115-12V 116-24V |          |                       |               |
| LOCATING & FUNCTION |              | 713-12V 714-24V |          |                       |               |



**M. S. Foster & Associates, Inc.**

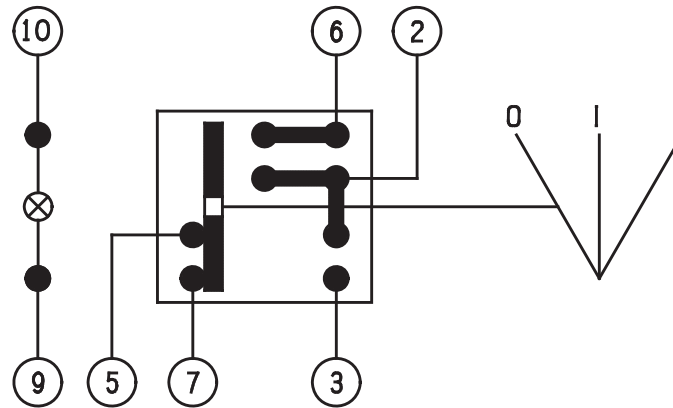
1866 N. Country Lane, Michigan City, IN 46360  
 Phone 219-380-3266 or 219-879-9225 • Toll Free 888-452-4053  
 Fax 219-879-9313 • email: sales@msfoster.com  
 www.msfooster.com



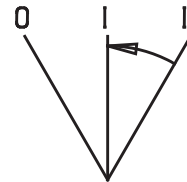
SCHMATIC OPERATION

NOTES:

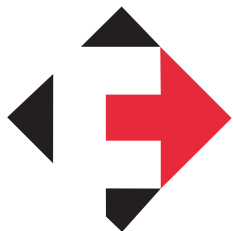
1. CONTACT CAPACITY (RESISTIVE/LAMP):  
16A @ 13.5V  
10A @ 27.5V
2. TERMINALS 9 & 10 ARE FOR LIGHTING.
3. THE SCHEMATIC, SWITCH FEATURES AND LIGHTING ARE COMMON BETWEEN THE 511.XXX, 512.XXX AND 516.XXX SERIES OF SWITCHES.



SWITCH OPERATION



| LIGHTING            | BASIC SWITCH | MOMENTARY I I   | LOCK OFF | MOMENTARY ON LOCK OFF | LOCK ON & OFF |
|---------------------|--------------|-----------------|----------|-----------------------|---------------|
| NONE                |              | 117 - 12V/24V   |          |                       |               |
| GENERAL             |              | 118-12V 119-24V |          |                       |               |
| LOCATING            |              | 120-12V 121-24V |          |                       |               |
| LOCATING & FUNCTION |              |                 |          |                       |               |



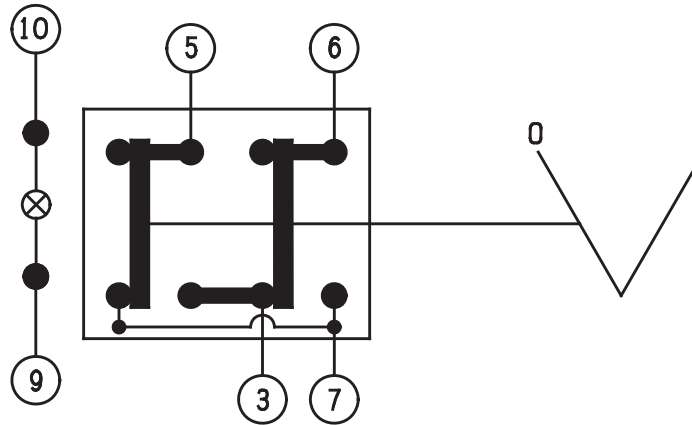
**M. S. Foster & Associates, Inc.**

1866 N. Country Lane, Michigan City, IN 46360  
 Phone 219-380-3266 or 219-879-9225 • Toll Free 888-452-4053  
 Fax 219-879-9313 • email: sales@msfoster.com  
 www.msfooster.com

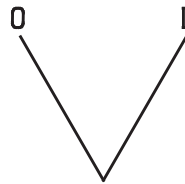
SCHMATIC OPERATION

NOTES:

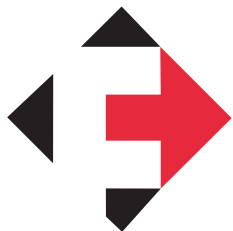
1. CONTACT CAPACITY (RESISTIVE/LAMP):  
16A @ 13.5V  
10A @ 27.5V
2. TERMINALS 9 & 10 ARE FOR LIGHTING.
3. THE SCHEMATIC, SWITCH FEATURES AND LIGHTING ARE COMMON BETWEEN THE 511.XXX, 512.XXX AND 516.XXX SERIES OF SWITCHES.



SWITCH OPERATION



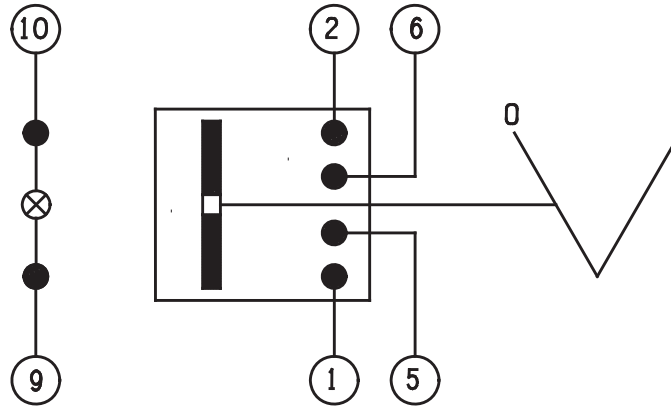
| LIGHTING            | BASIC SWITCH    | MOMENTARY | LOCK OFF | MOMENTARY ON LOCK OFF | LOCK ON & OFF |
|---------------------|-----------------|-----------|----------|-----------------------|---------------|
| NONE                | 122 - 12V/24V   |           |          |                       |               |
| GENERAL             | 123-12V 124-24V |           |          |                       |               |
| LOCATING            | 125-12V 126-24V |           |          |                       |               |
| LOCATING & FUNCTION |                 |           |          |                       |               |



**M. S. Foster & Associates, Inc.**

1866 N. Country Lane, Michigan City, IN 46360  
 Phone 219-380-3266 or 219-879-9225 • Toll Free 888-452-4053  
 Fax 219-879-9313 • email: sales@msfoster.com  
 www.msfooster.com

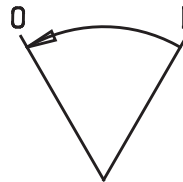
SCHMATIC OPERATION



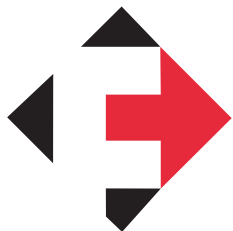
NOTES:

1. CONTACT CAPACITY (RESISTIVE/LAMP):  
16A @ 13.5V  
10A @ 27.5V
2. TERMINALS 9 & 10 ARE FOR LIGHTING.
3. THE SCHEMATIC, SWITCH FEATURES AND LIGHTING ARE COMMON BETWEEN THE 511.XXX, 512.XXX AND 516.XXX SERIES OF SWITCHES.

SWITCH OPERATION



| LIGHTING            | BASIC SWITCH | MOMENTARY       | LOCK OFF | MOMENTARY ON LOCK OFF | LOCK ON & OFF |
|---------------------|--------------|-----------------|----------|-----------------------|---------------|
| NONE                |              | 127 - 12V/24V   |          |                       |               |
| GENERAL             |              | 128-12V 129-24V |          |                       |               |
| LOCATING            |              | 130-12V 131-24V |          |                       |               |
| LOCATING & FUNCTION |              |                 |          |                       |               |



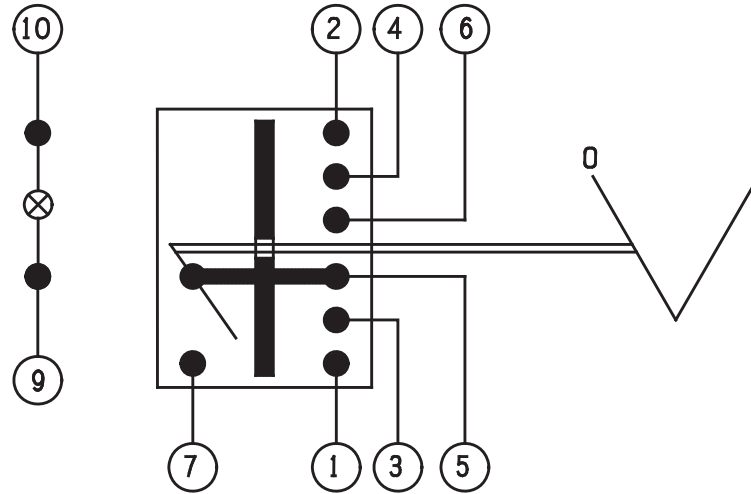
**M. S. Foster & Associates, Inc.**

1866 N. Country Lane, Michigan City, IN 46360  
 Phone 219-380-3266 or 219-879-9225 • Toll Free 888-452-4053  
 Fax 219-879-9313 • email: sales@msfoster.com  
 www.msfooster.com

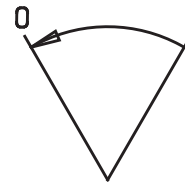
SCHMATIC OPERATION

NOTES:

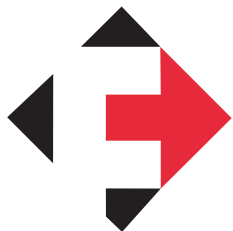
1. CONTACT CAPACITY (RESISTIVE/LAMP):  
16A @ 13.5V  
10A @ 27.5V
2. TERMINALS 9 & 10 ARE FOR LIGHTING.
3. THE SCHEMATIC, SWITCH FEATURES AND LIGHTING ARE COMMON BETWEEN THE 511.XXX, 512.XXX AND 516.XXX SERIES OF SWITCHES.



SWITCH OPERATION



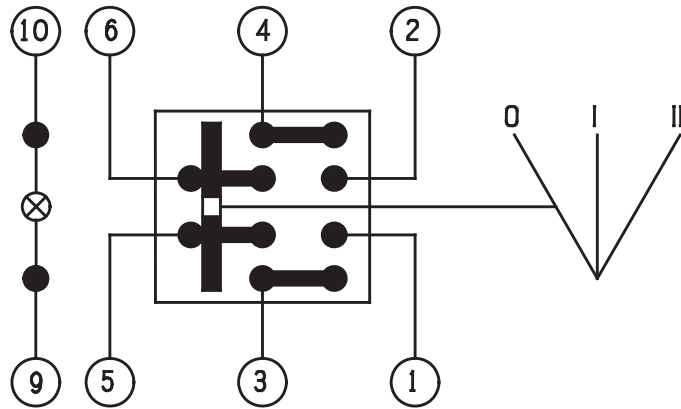
| LIGHTING            | BASIC SWITCH | MOMENTARY       | LOCK OFF | MOMENTARY ON LOCK OFF | LOCK ON & OFF |
|---------------------|--------------|-----------------|----------|-----------------------|---------------|
| NONE                |              | 132 - 12V/24V   |          |                       |               |
| GENERAL             |              | 133-12V 134-24V |          |                       |               |
| LOCATING            |              | 135-12V 136-24V |          |                       |               |
| LOCATING & FUNCTION |              |                 |          |                       |               |



**M. S. Foster & Associates, Inc.**

1866 N. Country Lane, Michigan City, IN 46360  
 Phone 219-380-3266 or 219-879-9225 • Toll Free 888-452-4053  
 Fax 219-879-9313 • email: sales@msfoster.com  
 www.msfooster.com

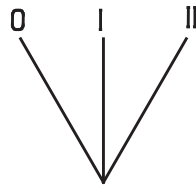
SCHMATIC OPERATION



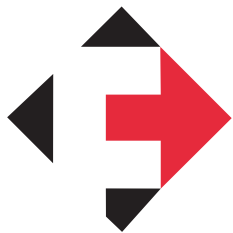
NOTES:

1. CONTACT CAPACITY (RESISTIVE/LAMP):  
16A @ 13.5V  
10A @ 27.5V
2. TERMINALS 9 & 10 ARE FOR LIGHTING.
3. THE SCHEMATIC, SWITCH FEATURES AND LIGHTING ARE COMMON BETWEEN THE 511.XXX, 512.XXX AND 516.XXX SERIES OF SWITCHES.

SWITCH OPERATION



| LIGHTING            | BASIC SWITCH    | MOMENTARY | LOCK OFF | MOMENTARY ON LOCK OFF | LOCK ON & OFF |
|---------------------|-----------------|-----------|----------|-----------------------|---------------|
| NONE                | 139 - 12V/24V   |           |          |                       |               |
| GENERAL             | 140-12V 141-24V |           |          |                       |               |
| LOCATING            | 142-12V 143-24V |           |          |                       |               |
| LOCATING & FUNCTION | 144-12V 145-24V |           |          |                       |               |



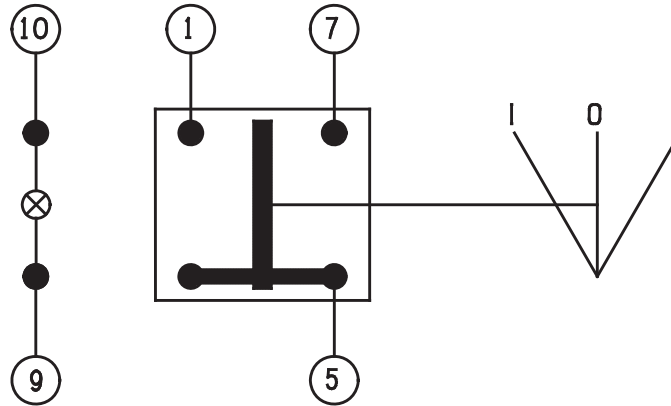
**M. S. Foster & Associates, Inc.**

1866 N. Country Lane, Michigan City, IN 46360  
 Phone 219-380-3266 or 219-879-9225 • Toll Free 888-452-4053  
 Fax 219-879-9313 • email: sales@msfoster.com  
 www.msfooster.com

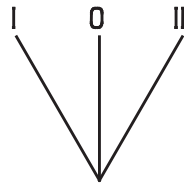
SCHMATIC OPERATION

NOTES:

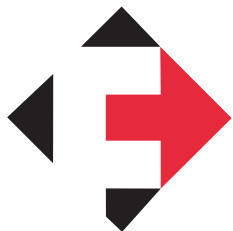
1. CONTACT CAPACITY (RESISTIVE/LAMP):  
16A @ 13.5V  
10A @ 27.5V
2. TERMINALS 9 & 10 ARE FOR LIGHTING.
3. THE SCHEMATIC, SWITCH FEATURES AND LIGHTING ARE COMMON BETWEEN THE 511.XXX, 512.XXX AND 516.XXX SERIES OF SWITCHES.



SWITCH OPERATION



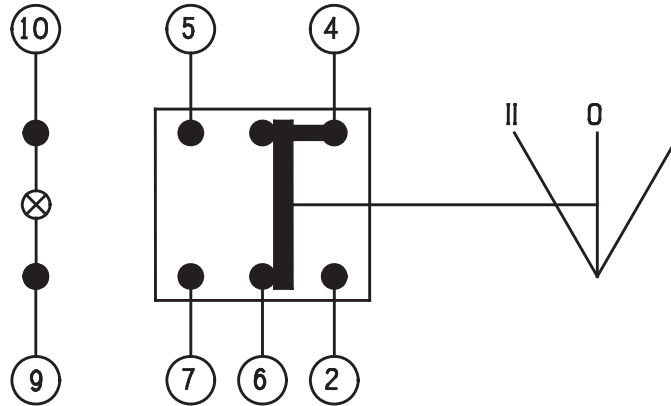
| LIGHTING            | BASIC SWITCH    | MOMENTARY | LOCK OFF | MOMENTARY ON LOCK OFF | LOCK ON & OFF |
|---------------------|-----------------|-----------|----------|-----------------------|---------------|
| NONE                | 146 - 12V/24V   |           |          |                       |               |
| GENERAL             | 147-12V 148-24V |           |          |                       |               |
| LOCATING            | 149-12V 150-24V |           |          |                       |               |
| LOCATING & FUNCTION |                 |           |          |                       |               |



**M. S. Foster & Associates, Inc.**

1866 N. Country Lane, Michigan City, IN 46360  
 Phone 219-380-3266 or 219-879-9225 • Toll Free 888-452-4053  
 Fax 219-879-9313 • email: sales@msfoster.com  
 www.msfooster.com

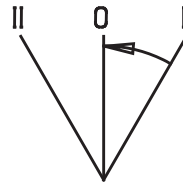
SCHEMATIC OPERATION



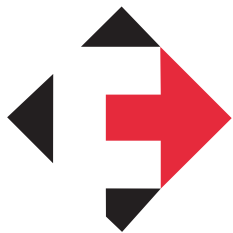
NOTES:

1. CONTACT CAPACITY (RESISTIVE/LAMP):  
16A @ 13.5V  
10A @ 27.5V
2. TERMINALS 9 & 10 ARE FOR LIGHTING.
3. THE SCHEMATIC, SWITCH FEATURES AND LIGHTING ARE COMMON BETWEEN THE 511.XXX, 512.XXX AND 516.XXX SERIES OF SWITCHES.

SWITCH OPERATION



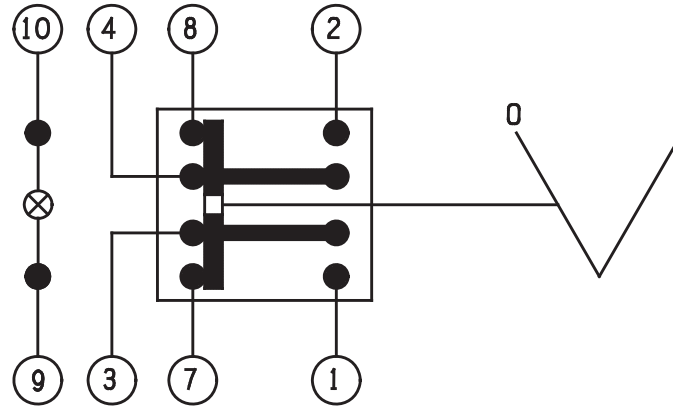
| LIGHTING            | BASIC SWITCH | MOMENTARY I     | LOCK OFF | MOMENTARY ON LOCK OFF | LOCK ON & OFF |
|---------------------|--------------|-----------------|----------|-----------------------|---------------|
| NONE                |              | 151 - 12V/24V   |          |                       |               |
| GENERAL             |              | 152-12V 153-24V |          |                       |               |
| LOCATING            |              | 154-12V 155-24V |          |                       |               |
| LOCATING & FUNCTION |              |                 |          |                       |               |



**M. S. Foster & Associates, Inc.**

1866 N. Country Lane, Michigan City, IN 46360  
 Phone 219-380-3266 or 219-879-9225 • Toll Free 888-452-4053  
 Fax 219-879-9313 • email: sales@msfoster.com  
 www.msfooster.com

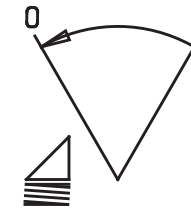
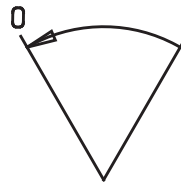
SCHMATIC OPERATION



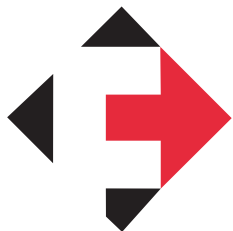
NOTES:

1. CONTACT CAPACITY (RESISTIVE/LAMP):  
16A @ 13.5V  
10A @ 27.5V
2. TERMINALS 9 & 10 ARE FOR LIGHTING.
3. THE SCHEMATIC, SWITCH FEATURES AND LIGHTING ARE COMMON BETWEEN THE 511.XXX, 512.XXX AND 516.XXX SERIES OF SWITCHES.

SWITCH OPERATION



| LIGHTING            | BASIC SWITCH | MOMENTARY I     | LOCK OFF | MOMENTARY I<br>LOCK OFF | LOCK ON & OFF |
|---------------------|--------------|-----------------|----------|-------------------------|---------------|
| NONE                |              | 197 - 12V/24V   |          | 291 - 12V/24V           |               |
| GENERAL             |              | 198-12V 199-24V |          | 292-12V 293-24V         |               |
| LOCATING            |              | 200-12V 201-24V |          | 294-12V 295-24V         |               |
| LOCATING & FUNCTION |              |                 |          |                         |               |



**M. S. Foster & Associates, Inc.**

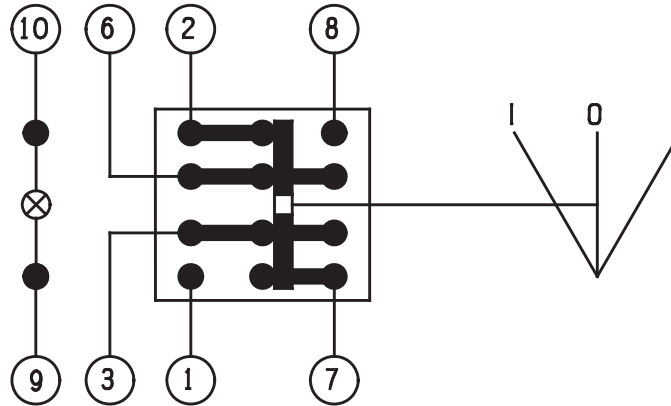
1866 N. Country Lane, Michigan City, IN 46360  
 Phone 219-380-3266 or 219-879-9225 • Toll Free 888-452-4053  
 Fax 219-879-9313 • email: sales@msfoster.com  
 www.msfooster.com



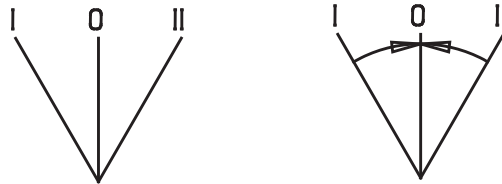
SCHMATIC OPERATION

NOTES:

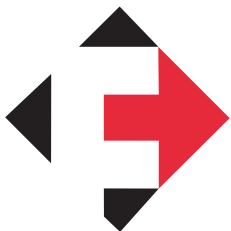
1. CONTACT CAPACITY (RESISTIVE/LAMP):  
16A @ 13.5V  
10A @ 27.5V
2. TERMINALS 9 & 10 ARE FOR LIGHTING.
3. THE SCHEMATIC, SWITCH FEATURES AND LIGHTING ARE COMMON BETWEEN THE 511.XXX, 512.XXX AND 516.XXX SERIES OF SWITCHES.



SWITCH OPERATION



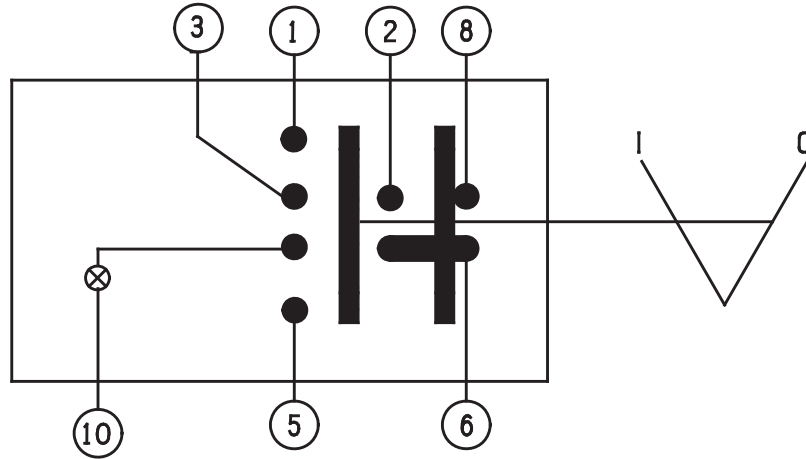
| LIGHTING            | BASIC SWITCH    | MOMENTARY I & II | LOCK OFF | MOMENTARY ON LOCK OFF | LOCK ON & OFF |
|---------------------|-----------------|------------------|----------|-----------------------|---------------|
| NONE                | 700 - 12V/24V   | 211 - 12V/24V    |          |                       |               |
| GENERAL             | 701-12V 702-24V | 212-12V 213-24V  |          |                       |               |
| LOCATING            | 703-12V 704-24V | 214-12V 215-24V  |          |                       |               |
| LOCATING & FUNCTION | 705-12V 706-24V | 216-12V 217-24V  |          |                       |               |



**M. S. Foster & Associates, Inc.**

1866 N. Country Lane, Michigan City, IN 46360  
 Phone 219-380-3266 or 219-879-9225 • Toll Free 888-452-4053  
 Fax 219-879-9313 • email: sales@msfoster.com  
 www.msfooster.com

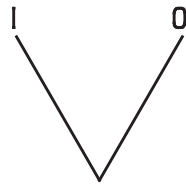
SCHMATIC OPERATION



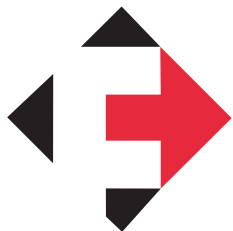
NOTES:

1. CONTACT CAPACITY (RESISTIVE/LAMP):  
16A @ 13.5V  
10A @ 27.5V
2. TERMINALS 9 & 10 ARE FOR LIGHTING.
3. THE SCHEMATIC, SWITCH FEATURES AND LIGHTING ARE COMMON BETWEEN THE 511.XXX, 512.XXX AND 516.XXX SERIES OF SWITCHES.

SWITCH OPERATION



| LIGHTING            | BASIC SWITCH    | MOMENTARY | LOCK OFF | MOMENTARY ON LOCK OFF | LOCK ON & OFF |
|---------------------|-----------------|-----------|----------|-----------------------|---------------|
| NONE                |                 |           |          |                       |               |
| GENERAL             |                 |           |          |                       |               |
| LOCATING            |                 |           |          |                       |               |
| LOCATING & FUNCTION | 190-12V 191-24V |           |          |                       |               |



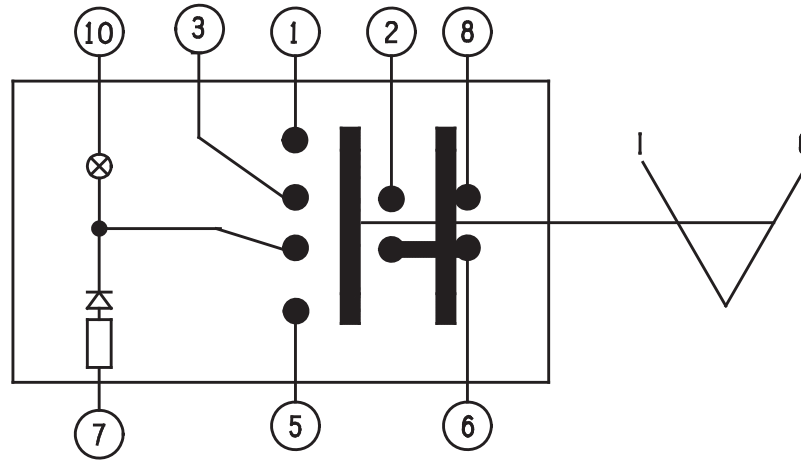
**M. S. Foster & Associates, Inc.**

1866 N. Country Lane, Michigan City, IN 46360  
 Phone 219-380-3266 or 219-879-9225 • Toll Free 888-452-4053  
 Fax 219-879-9313 • email: sales@msfoster.com  
 www.msfooster.com

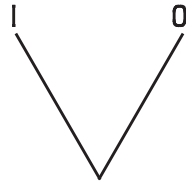
SCHMATIC OPERATION

NOTES:

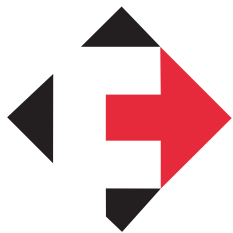
1. CONTACT CAPACITY (RESISTIVE/LAMP):  
16A @ 13.5V  
10A @ 27.5V
2. TERMINALS 9 & 10 ARE FOR LIGHTING.
3. THE SCHEMATIC, SWITCH FEATURES AND LIGHTING ARE COMMON BETWEEN THE 511.XXX, 512.XXX AND 516.XXX SERIES OF SWITCHES.



SWITCH OPERATION



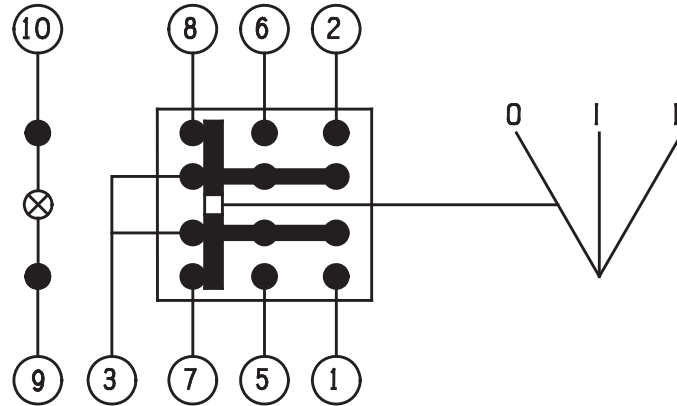
| LIGHTING            | BASIC SWITCH    | MOMENTARY I | LOCK OFF | MOMENTARY I<br>LOCK OFF | LOCK ON & OFF |
|---------------------|-----------------|-------------|----------|-------------------------|---------------|
| NONE                |                 |             |          |                         |               |
| GENERAL             |                 |             |          |                         |               |
| LOCATING            |                 |             |          |                         |               |
| LOCATING & FUNCTION | 192-12V 193-24V |             |          |                         |               |



**M. S. Foster & Associates, Inc.**

1866 N. Country Lane, Michigan City, IN 46360  
 Phone 219-380-3266 or 219-879-9225 • Toll Free 888-452-4053  
 Fax 219-879-9313 • email: sales@msfoster.com  
 www.msfooster.com

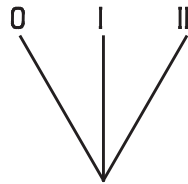
SCHMATIC OPERATION



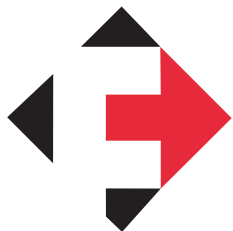
NOTES:

1. CONTACT CAPACITY (RESISTIVE/LAMP):  
16A @ 13.5V  
10A @ 27.5V
2. TERMINALS 9 & 10 ARE FOR LIGHTING.
3. THE SCHEMATIC, SWITCH FEATURES AND LIGHTING ARE COMMON BETWEEN THE 511.XXX, 512.XXX AND 516.XXX SERIES OF SWITCHES.

SWITCH OPERATION



| LIGHTING            | BASIC SWITCH    | MOMENTARY I I | LOCK OFF | MOMENTARY I I ON LOCK OFF | LOCK ON & OFF |
|---------------------|-----------------|---------------|----------|---------------------------|---------------|
| NONE                | 226 - 12V/24V   |               |          |                           |               |
| GENERAL             | 227-12V 228-24V |               |          |                           |               |
| LOCATING            | 229-12V 230-24V |               |          |                           |               |
| LOCATING & FUNCTION | 231-12V 232-24V |               |          |                           |               |



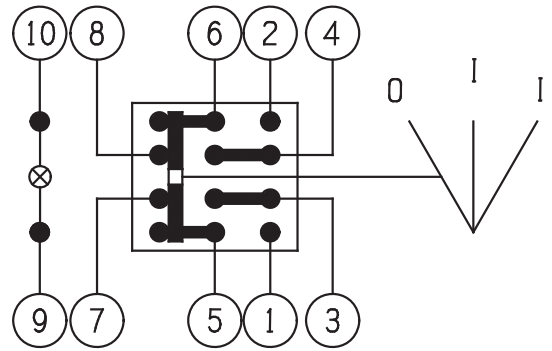
**M. S. Foster & Associates, Inc.**

1866 N. Country Lane, Michigan City, IN 46360  
 Phone 219-380-3266 or 219-879-9225 • Toll Free 888-452-4053  
 Fax 219-879-9313 • email: sales@msfoster.com  
 www.msfooster.com

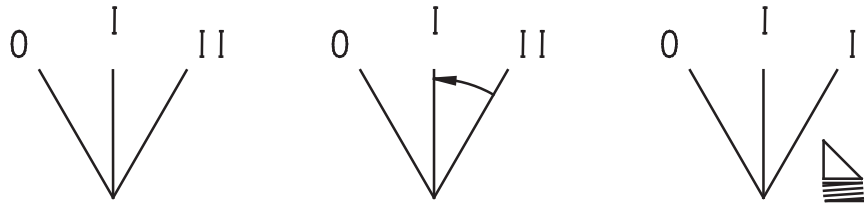
NOTES:

1. CONTACT CAPACITY (RESISTIVE/LAMP):  
16A @ 13.5V, 8A @ 27.5V
2. TERMINALS 9 & 10 ARE FOR LIGHTING.
3. THE SCHEMATIC, SWITCH FEATURES, AND LIGHTING ARE COMMON BETWEEN THE 511.XXX, 512.XXX AND 516.XXX SERIES OF SWITCHES.

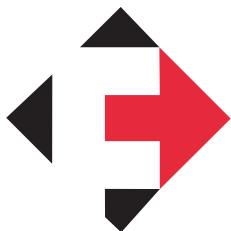
SCHEMATIC OPERATION



SWITCH OPERATION



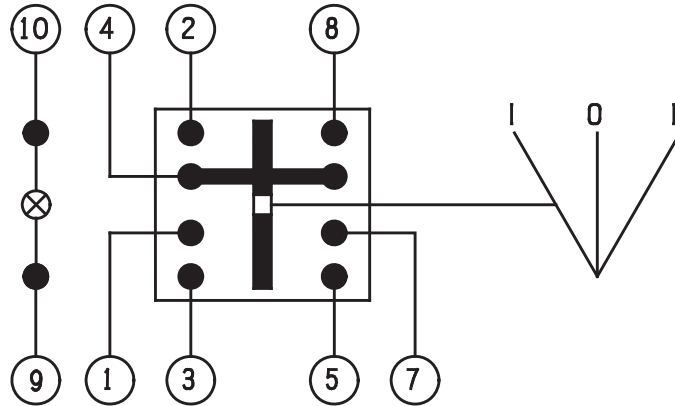
| LIGHTING            | BASIC SWITCH    | MOMENTARY I-II | LOCK OFF I-II   |
|---------------------|-----------------|----------------|-----------------|
| NONE                | 090 - 12V/24V   |                | 727 - 12V/24V   |
| GENERAL             | 091-12V 092-24V |                | 728-12V 729-24V |
| LOCATION            | 093-12V 094-24V |                | 730-12V 731-24V |
| LOCATION & FUNCTION | 709-12V 710-24V |                |                 |



**M. S. Foster & Associates, Inc.**

1866 N. Country Lane, Michigan City, IN 46360  
 Phone 219-380-3266 or 219-879-9225 • Toll Free 888-452-4053  
 Fax 219-879-9313 • email: sales@msfoster.com  
 www.msfooster.com

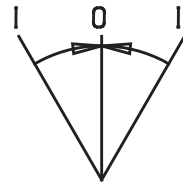
SCHMATIC OPERATION



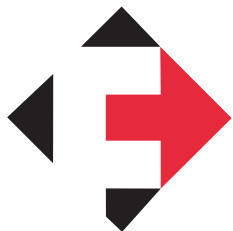
NOTES:

1. CONTACT CAPACITY (RESISTIVE/LAMP):  
16A @ 13.5V  
10A @ 27.5V
2. TERMINALS 9 & 10 ARE FOR LIGHTING.
3. THE SCHEMATIC, SWITCH FEATURES AND LIGHTING ARE COMMON BETWEEN THE 511.XXX, 512.XXX AND 516.XXX SERIES OF SWITCHES.

SWITCH OPERATION



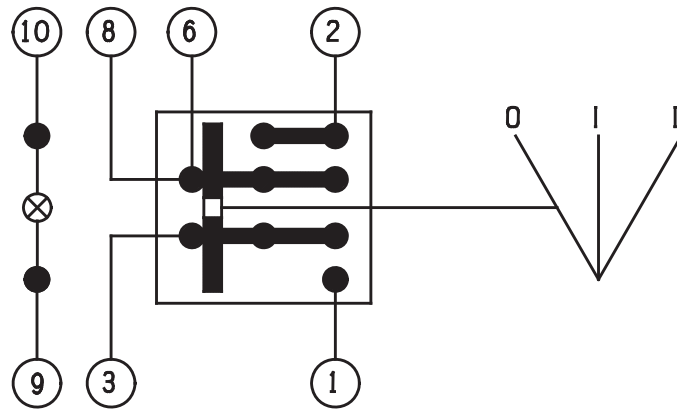
| LIGHTING            | BASIC SWITCH | MOMENTARY I-II  | LOCK OFF | MOMENTARY ON LOCK OFF | LOCK ON & OFF |
|---------------------|--------------|-----------------|----------|-----------------------|---------------|
| NONE                |              | 255 - 12V/24V   |          |                       |               |
| GENERAL             |              | 256-12V 257-24V |          |                       |               |
| LOCATING            |              | 258-12V 259-24V |          |                       |               |
| LOCATING & FUNCTION |              | 260-12V 261-24V |          |                       |               |



**M. S. Foster & Associates, Inc.**

1866 N. Country Lane, Michigan City, IN 46360  
 Phone 219-380-3266 or 219-879-9225 • Toll Free 888-452-4053  
 Fax 219-879-9313 • email: sales@msfoster.com  
 www.msfooster.com

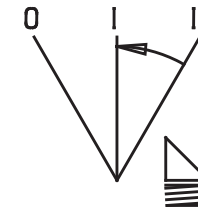
SCHEMATIC OPERATION



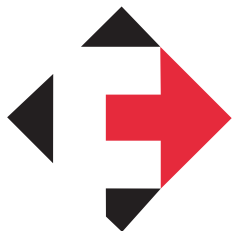
NOTES:

1. CONTACT CAPACITY (RESISTIVE/LAMP):  
16A @ 13.5V  
10A @ 27.5V
2. TERMINALS 9 & 10 ARE FOR LIGHTING.
3. THE SCHEMATIC, SWITCH FEATURES AND LIGHTING ARE COMMON BETWEEN THE 511.XXX, 512.XXX AND 516.XXX SERIES OF SWITCHES.

SWITCH OPERATION



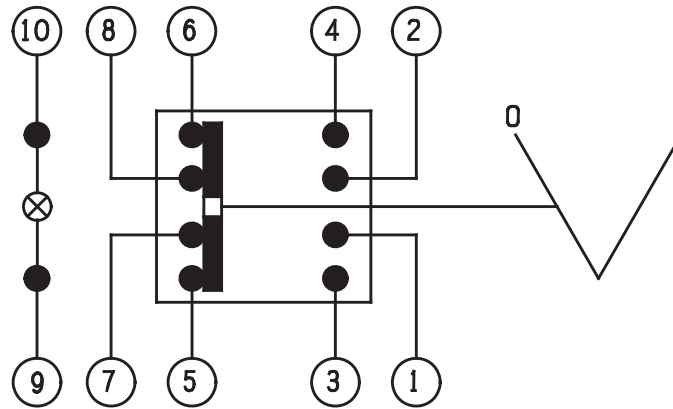
| LIGHTING            | BASIC SWITCH | MOMENTARY | LOCK OFF | MOMENTARY ON I-II<br>LOCK OFF II | LOCK ON & OFF |
|---------------------|--------------|-----------|----------|----------------------------------|---------------|
| NONE                |              |           |          | 264 - 12V/24V                    |               |
| GENERAL             |              |           |          | 265-12V 266-24V                  |               |
| LOCATING            |              |           |          | 267-12V 268-24V                  |               |
| LOCATING & FUNCTION |              |           |          | 269-12V 270-24V                  |               |



**M. S. Foster & Associates, Inc.**

1866 N. Country Lane, Michigan City, IN 46360  
 Phone 219-380-3266 or 219-879-9225 • Toll Free 888-452-4053  
 Fax 219-879-9313 • email: sales@msfoster.com  
 www.msfooster.com

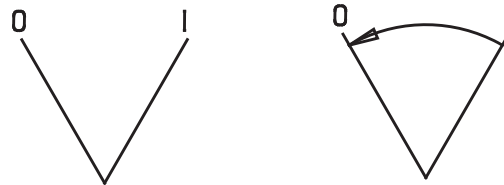
SCHEMATIC OPERATION



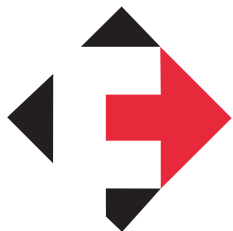
NOTES:

1. CONTACT CAPACITY (RESISTIVE/LAMP):  
16A @ 13.5V  
10A @ 27.5V
2. TERMINALS 9 & 10 ARE FOR LIGHTING.
3. THE SCHEMATIC, SWITCH FEATURES AND LIGHTING ARE COMMON BETWEEN THE 511.XXX, 512.XXX AND 516.XXX SERIES OF SWITCHES.

SWITCH OPERATION



| LIGHTING            | BASIC SWITCH    | MOMENTARY I     | LOCK OFF | MOMENTARY I<br>LOCK OFF | LOCK ON & OFF |
|---------------------|-----------------|-----------------|----------|-------------------------|---------------|
| NONE                | 271 - 12V/24V   | 279 - 12V/24V   |          |                         |               |
| GENERAL             | 272-12V 273-24V | 280-12V 281-24V |          |                         |               |
| LOCATING            | 274-12V 275-24V | 282-12V 283-24V |          |                         |               |
| LOCATING & FUNCTION | 276-12V 277-24V | 284-12V 285-24V |          |                         |               |



**M. S. Foster & Associates, Inc.**

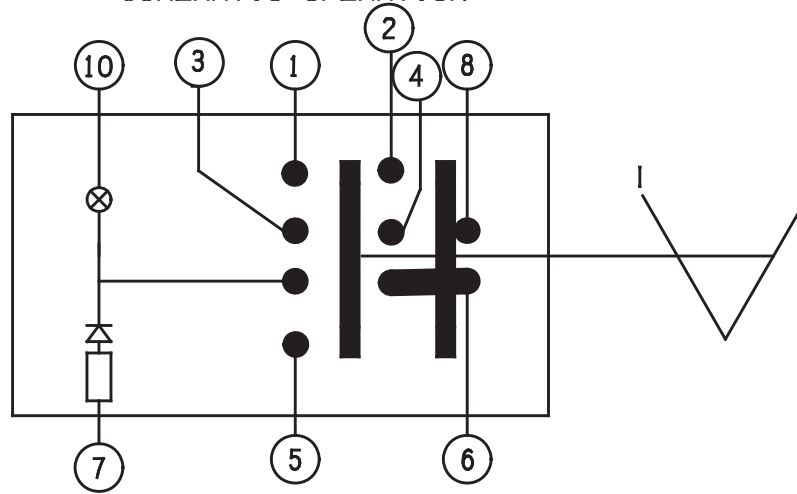
1866 N. Country Lane, Michigan City, IN 46360  
 Phone 219-380-3266 or 219-879-9225 • Toll Free 888-452-4053  
 Fax 219-879-9313 • email: sales@msfoster.com  
 www.msfooster.com



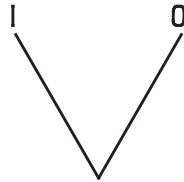
NOTES:

1. CONTACT CAPACITY (RESISTIVE/LAMP):  
16A @ 13.5V  
10A @ 27.5V
2. TERMINALS 9 & 10 ARE FOR LIGHTING.
3. THE SCHEMATIC, SWITCH FEATURES AND LIGHTING ARE COMMON BETWEEN THE 511.XXX, 512.XXX AND 516.XXX SERIES OF SWITCHES.

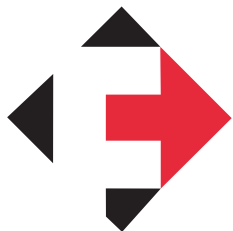
SCHEMATIC OPERATION



SWITCH OPERATION



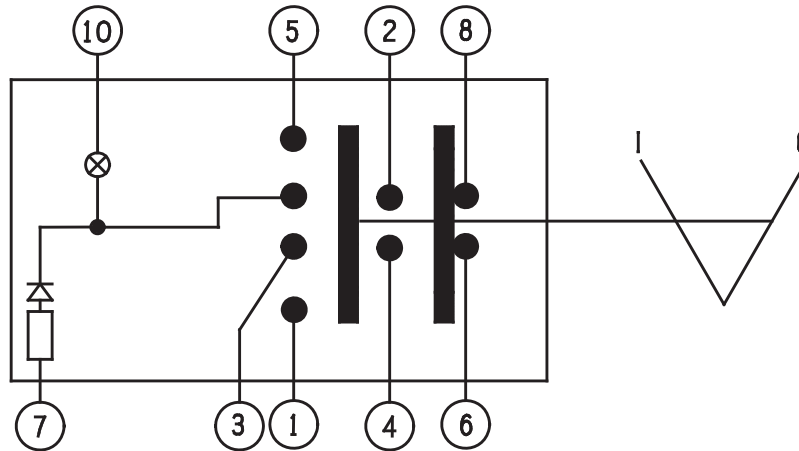
| LIGHTING            | BASIC SWITCH | MOMENTARY | LOCK OFF | MOMENTARY ON LOCK OFF | LOCK ON & OFF |
|---------------------|--------------|-----------|----------|-----------------------|---------------|
| NONE                |              |           |          |                       |               |
| GENERAL             |              |           |          |                       |               |
| LOCATING            |              |           |          |                       |               |
| LOCATING & FUNCTION | 299-24V      |           |          |                       |               |



**M. S. Foster & Associates, Inc.**

1866 N. Country Lane, Michigan City, IN 46360  
 Phone 219-380-3266 or 219-879-9225 • Toll Free 888-452-4053  
 Fax 219-879-9313 • email: sales@msfoster.com  
 www.msfooster.com

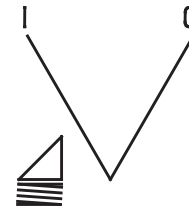
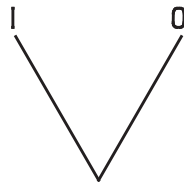
SCHMATIC OPERATION



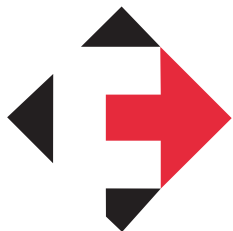
NOTES:

1. CONTACT CAPACITY (RESISTIVE/LAMP):  
16A @ 13.5V  
10A @ 27.5V
2. TERMINALS 9 & 10 ARE FOR LIGHTING.
3. THE SCHEMATIC, SWITCH FEATURES AND LIGHTING ARE COMMON BETWEEN THE 511.XXX, 512.XXX AND 516.XXX SERIES OF SWITCHES.

SWITCH OPERATION



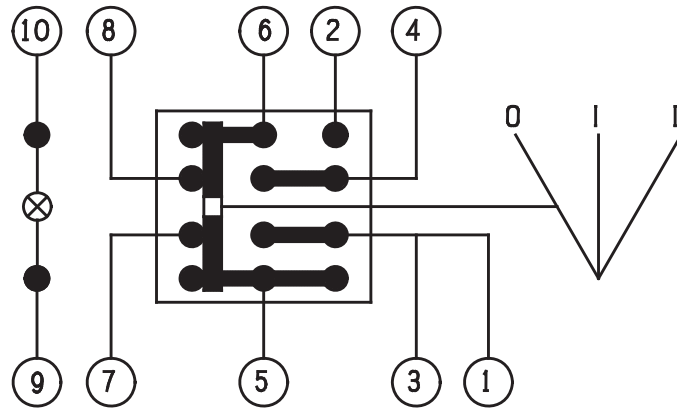
| LIGHTING            | BASIC SWITCH    | MOMENTARY | LOCK OFF | MOMENTARY ON LOCK OFF | LOCK ON & OFF |
|---------------------|-----------------|-----------|----------|-----------------------|---------------|
| NONE                |                 |           |          |                       |               |
| GENERAL             |                 |           |          |                       |               |
| LOCATING            |                 |           |          |                       |               |
| LOCATING & FUNCTION | 194-12V 195-24V |           | 278-24V  |                       |               |



**M. S. Foster & Associates, Inc.**

1866 N. Country Lane, Michigan City, IN 46360  
 Phone 219-380-3266 or 219-879-9225 • Toll Free 888-452-4053  
 Fax 219-879-9313 • email: sales@msfoster.com  
 www.msfooster.com

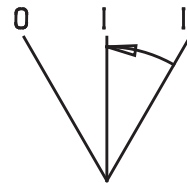
SCHEMATIC OPERATION



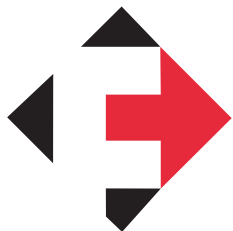
NOTES:

1. CONTACT CAPACITY (RESISTIVE/LAMP):  
16A @ 13.5V  
10A @ 27.5V
2. TERMINALS 9 & 10 ARE FOR LIGHTING.
3. THE SCHEMATIC, SWITCH FEATURES AND LIGHTING ARE COMMON BETWEEN THE 511.XXX, 512.XXX AND 516.XXX SERIES OF SWITCHES.

SWITCH OPERATION



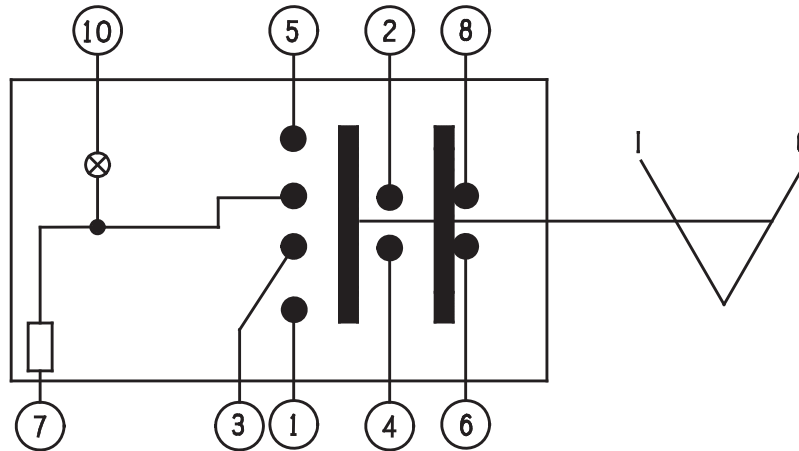
| LIGHTING            | BASIC SWITCH | MOMENTARY I-II  | LOCK OFF | MOMENTARY ON LOCK OFF | LOCK ON & OFF |
|---------------------|--------------|-----------------|----------|-----------------------|---------------|
| NONE                |              | 715 - 12V/24V   |          |                       |               |
| GENERAL             |              | 716-12V 717-24V |          |                       |               |
| LOCATING            |              | 718-12V 719-24V |          |                       |               |
| LOCATING & FUNCTION |              | 720-12V 721-24V |          |                       |               |



**M. S. Foster & Associates, Inc.**

1866 N. Country Lane, Michigan City, IN 46360  
 Phone 219-380-3266 or 219-879-9225 • Toll Free 888-452-4053  
 Fax 219-879-9313 • email: sales@msfoster.com  
 www.msfooster.com

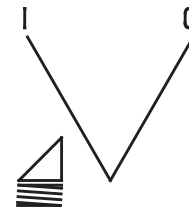
SCHMATIC OPERATION



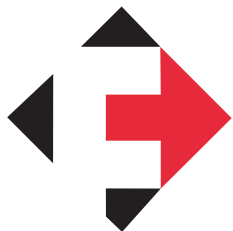
NOTES:

1. CONTACT CAPACITY (RESISTIVE/LAMP):  
16A @ 13.5V  
10A @ 27.5V
2. TERMINALS 9 & 10 ARE FOR LIGHTING.
3. THE SCHEMATIC, SWITCH FEATURES AND LIGHTING ARE COMMON BETWEEN THE 511.XXX, 512.XXX AND 516.XXX SERIES OF SWITCHES.

SWITCH OPERATION



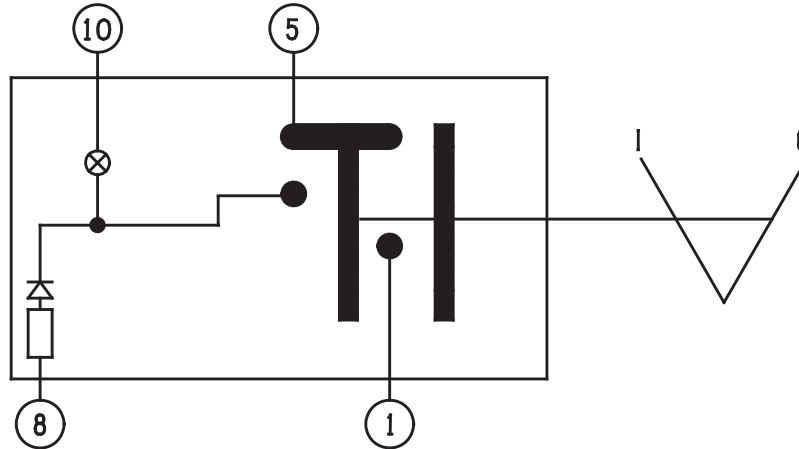
| LIGHTING            | BASIC SWITCH | MOMENTARY | LOCK OFF | MOMENTARY ON LOCK OFF | LOCK ON & OFF |
|---------------------|--------------|-----------|----------|-----------------------|---------------|
| NONE                |              |           |          |                       |               |
| GENERAL             |              |           |          |                       |               |
| LOCATING            |              |           |          |                       |               |
| LOCATING & FUNCTION |              |           | 189-24V  |                       |               |



**M. S. Foster & Associates, Inc.**

1866 N. Country Lane, Michigan City, IN 46360  
 Phone 219-380-3266 or 219-879-9225 • Toll Free 888-452-4053  
 Fax 219-879-9313 • email: sales@msfoster.com  
 www.msfoster.com

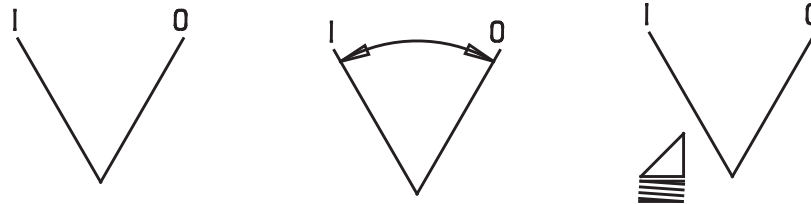
SCHEMATIC OPERATION



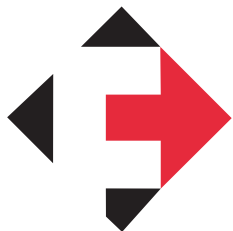
NOTES:

1. CONTACT CAPACITY (RESISTIVE/LAMP):  
16A @ 13.5V  
10A @ 27.5V
2. TERMINALS 9 & 10 ARE FOR LIGHTING.
3. THE SCHEMATIC, SWITCH FEATURES AND LIGHTING ARE COMMON BETWEEN THE 511.XXX, 512.XXX AND 516.XXX SERIES OF SWITCHES.

SWITCH OPERATION



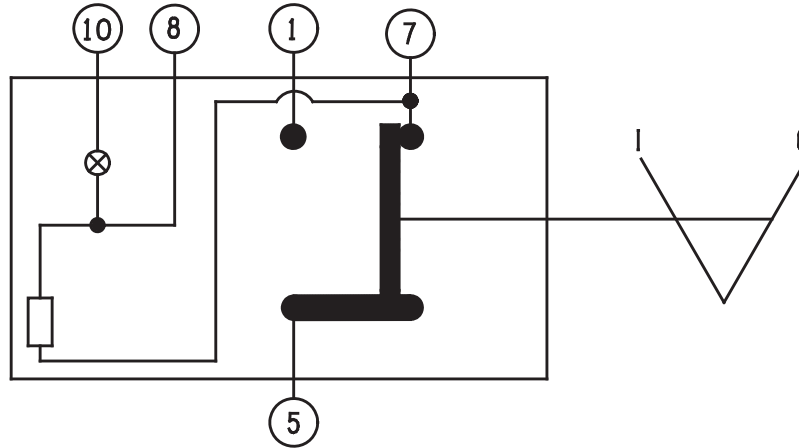
| LIGHTING            | BASIC SWITCH | MOMENTARY | LOCK OFF | MOMENTARY ON LOCK OFF | LOCK ON & OFF |
|---------------------|--------------|-----------|----------|-----------------------|---------------|
| NONE                |              |           |          |                       |               |
| GENERAL             |              |           |          |                       |               |
| LOCATING            |              |           |          |                       |               |
| LOCATING & FUNCTION | 218-24V      | 220-24V   | 219-24V  |                       |               |



**M. S. Foster & Associates, Inc.**

1866 N. Country Lane, Michigan City, IN 46360  
 Phone 219-380-3266 or 219-879-9225 • Toll Free 888-452-4053  
 Fax 219-879-9313 • email: sales@msfoster.com  
 www.msfooster.com

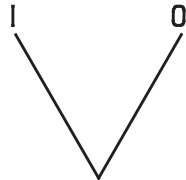
SCHMATIC OPERATION



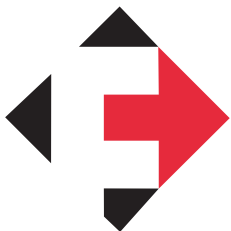
NOTES:

1. CONTACT CAPACITY (RESISTIVE/LAMP):  
16A @ 13.5V  
10A @ 27.5V
2. TERMINALS 9 & 10 ARE FOR LIGHTING.
3. THE SCHEMATIC, SWITCH FEATURES AND LIGHTING ARE COMMON BETWEEN THE 511.XXX, 512.XXX AND 516.XXX SERIES OF SWITCHES.

SWITCH OPERATION



| LIGHTING            | BASIC SWITCH | MOMENTARY | LOCK OFF | MOMENTARY ON LOCK OFF | LOCK ON & OFF |
|---------------------|--------------|-----------|----------|-----------------------|---------------|
| NONE                |              |           |          |                       |               |
| GENERAL             |              |           |          |                       |               |
| LOCATING            |              |           |          |                       |               |
| LOCATING & FUNCTION | 247-12V      |           |          |                       |               |



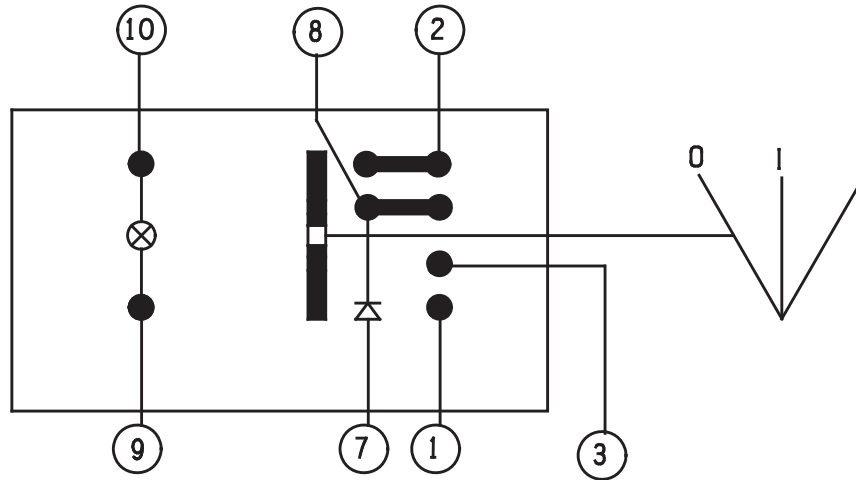
**M. S. Foster & Associates, Inc.**

1866 N. Country Lane, Michigan City, IN 46360  
 Phone 219-380-3266 or 219-879-9225 • Toll Free 888-452-4053  
 Fax 219-879-9313 • email: sales@msfoster.com  
 www.msfooster.com

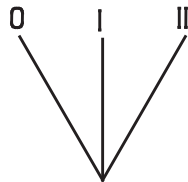
SCHMATIC OPERATION

NOTES:

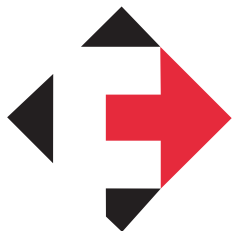
1. CONTACT CAPACITY (RESISTIVE/LAMP):  
16A @ 13.5V  
10A @ 27.5V
2. TERMINALS 9 & 10 ARE FOR LIGHTING.
3. THE SCHEMATIC, SWITCH FEATURES AND LIGHTING ARE COMMON BETWEEN THE 511.XXX, 512.XXX AND 516.XXX SERIES OF SWITCHES.



SWITCH OPERATION



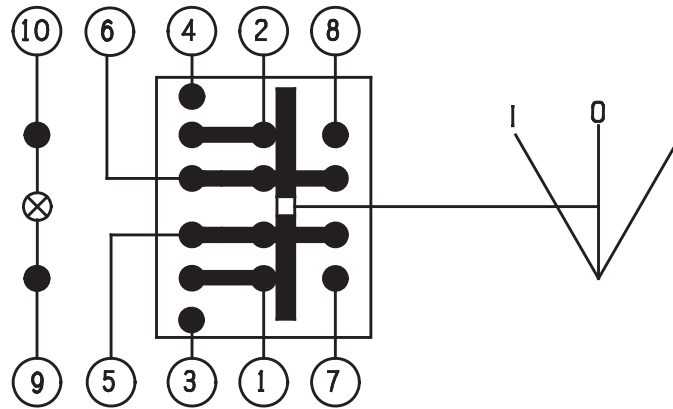
| LIGHTING            | BASIC SWITCH | MOMENTARY | LOCK OFF | MOMENTARY I<br>LOCK OFF | LOCK ON & OFF |
|---------------------|--------------|-----------|----------|-------------------------|---------------|
| NONE                |              |           |          |                         |               |
| GENERAL             |              |           |          |                         |               |
| LOCATING            |              |           |          |                         |               |
| LOCATING & FUNCTION | 249-24V      |           |          |                         |               |



**M. S. Foster & Associates, Inc.**

1866 N. Country Lane, Michigan City, IN 46360  
 Phone 219-380-3266 or 219-879-9225 • Toll Free 888-452-4053  
 Fax 219-879-9313 • email: sales@msfoster.com  
 www.msfooster.com

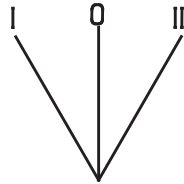
SCHEMATIC OPERATION



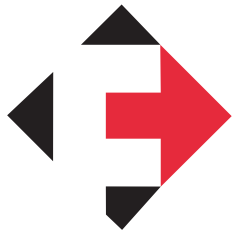
NOTES:

1. CONTACT CAPACITY (RESISTIVE/LAMP):  
16A @ 13.5V  
10A @ 27.5V
2. TERMINALS 9 & 10 ARE FOR LIGHTING.
3. THE SCHEMATIC, SWITCH FEATURES AND LIGHTING ARE COMMON BETWEEN THE 511.XXX, 512.XXX AND 516.XXX SERIES OF SWITCHES.

SWITCH OPERATION



| LIGHTING            | BASIC SWITCH    | MOMENTARY | LOCK OFF | MOMENTARY I<br>LOCK OFF | LOCK ON & OFF |
|---------------------|-----------------|-----------|----------|-------------------------|---------------|
| NONE                | 732 - 12V/24V   |           |          |                         |               |
| GENERAL             | 733-12V 734-24V |           |          |                         |               |
| LOCATING            | 735-12V 736-24V |           |          |                         |               |
| LOCATING & FUNCTION | 737-12V 738-24V |           |          |                         |               |



**M. S. Foster & Associates, Inc.**

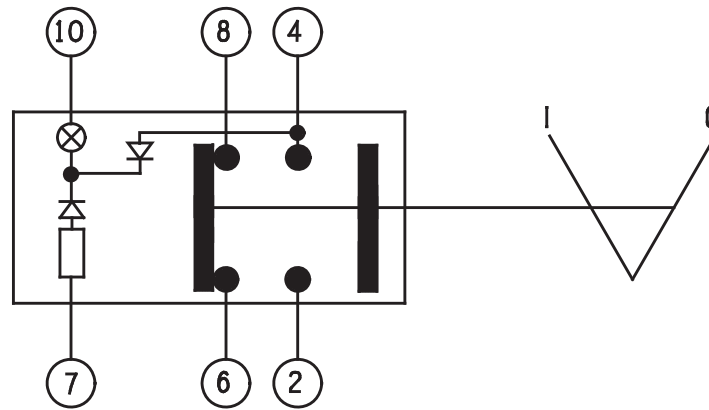
1866 N. Country Lane, Michigan City, IN 46360  
 Phone 219-380-3266 or 219-879-9225 • Toll Free 888-452-4053  
 Fax 219-879-9313 • email: sales@msfoster.com  
 www.msfooster.com



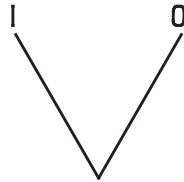
SCHEMATIC OPERATION

NOTES:

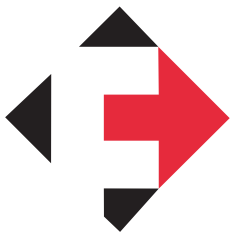
1. CONTACT CAPACITY (RESISTIVE/LAMP):  
16A @ 13.5V  
10A @ 27.5V
2. TERMINALS 9 & 10 ARE FOR LIGHTING.
3. THE SCHEMATIC, SWITCH FEATURES AND LIGHTING ARE COMMON BETWEEN THE 511.XXX, 512.XXX AND 516.XXX SERIES OF SWITCHES.



SWITCH OPERATION



| LIGHTING            | BASIC SWITCH | MOMENTARY | LOCK OFF | MOMENTARY I<br>LOCK OFF | LOCK ON & OFF |
|---------------------|--------------|-----------|----------|-------------------------|---------------|
| NONE                |              |           |          |                         |               |
| GENERAL             |              |           |          |                         |               |
| LOCATING            |              |           |          |                         |               |
| LOCATING & FUNCTION | 707-24V      |           |          |                         |               |



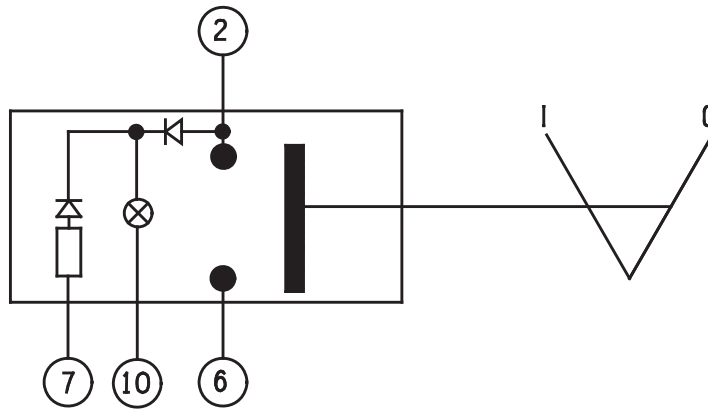
**M. S. Foster & Associates, Inc.**

1866 N. Country Lane, Michigan City, IN 46360  
 Phone 219-380-3266 or 219-879-9225 • Toll Free 888-452-4053  
 Fax 219-879-9313 • email: sales@msfoster.com  
 www.msfooster.com

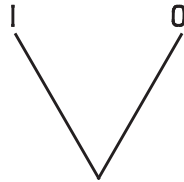
SCHEMATIC OPERATION

NOTES:

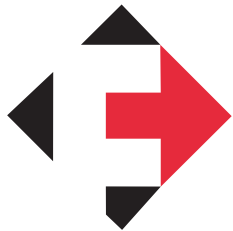
1. CONTACT CAPACITY (RESISTIVE/LAMP):  
16A @ 13.5V  
10A @ 27.5V
2. TERMINALS 9 & 10 ARE FOR LIGHTING.
3. THE SCHEMATIC, SWITCH FEATURES AND LIGHTING ARE COMMON BETWEEN THE 511.XXX, 512.XXX AND 516.XXX SERIES OF SWITCHES.



SWITCH OPERATION



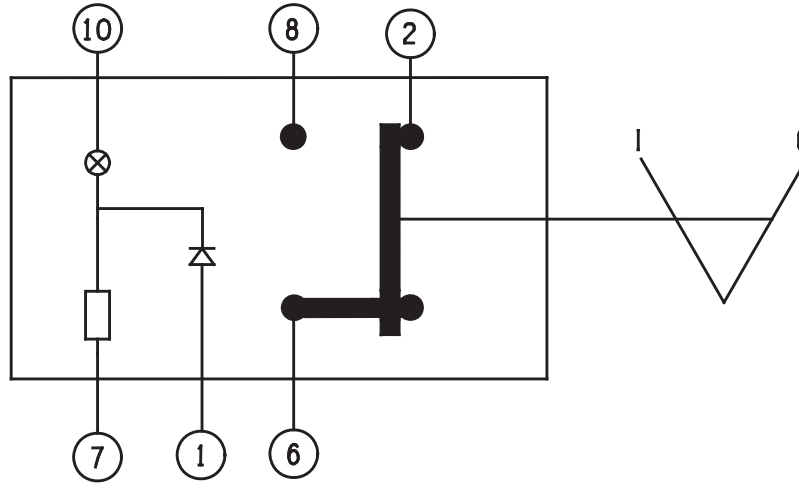
| LIGHTING            | BASIC SWITCH | MOMENTARY | LOCK OFF | MOMENTARY I<br>LOCK OFF | LOCK ON & OFF |
|---------------------|--------------|-----------|----------|-------------------------|---------------|
| NONE                |              |           |          |                         |               |
| GENERAL             |              |           |          |                         |               |
| LOCATING            |              |           |          |                         |               |
| LOCATING & FUNCTION | 708-24V      |           |          |                         |               |



**M. S. Foster & Associates, Inc.**

1866 N. Country Lane, Michigan City, IN 46360  
 Phone 219-380-3266 or 219-879-9225 • Toll Free 888-452-4053  
 Fax 219-879-9313 • email: sales@msfoster.com  
 www.msfooster.com

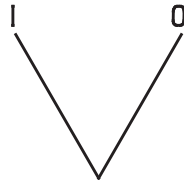
SCHMATIC OPERATION



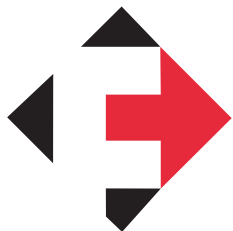
NOTES:

1. CONTACT CAPACITY (RESISTIVE/LAMP):  
16A @ 13.5V  
10A @ 27.5V
2. TERMINALS 9 & 10 ARE FOR LIGHTING.
3. THE SCHEMATIC, SWITCH FEATURES AND LIGHTING ARE COMMON BETWEEN THE 511.XXX, 512.XXX AND 516.XXX SERIES OF SWITCHES.

SWITCH OPERATION



| LIGHTING            | BASIC SWITCH    | MOMENTARY | LOCK OFF | MOMENTARY ON LOCK OFF | LOCK ON & OFF |
|---------------------|-----------------|-----------|----------|-----------------------|---------------|
| NONE                |                 |           |          |                       |               |
| GENERAL             |                 |           |          |                       |               |
| LOCATING            |                 |           |          |                       |               |
| LOCATING & FUNCTION | 296-12V 297-24V |           |          |                       |               |



**M. S. Foster & Associates, Inc.**

1866 N. Country Lane, Michigan City, IN 46360  
 Phone 219-380-3266 or 219-879-9225 • Toll Free 888-452-4053  
 Fax 219-879-9313 • email: sales@msfoster.com  
 www.msfooster.com