

Voyager® AOM562HD

5.6" Heavy Duty LCD Color Observation Monitor



KEY FEATURES:

- 5.6" Heavy Duty Color TFT LCD Panel
- Aspect Ratio: 4:3
- Camera Inputs: 2
- Contrast Ratio: 250:1
- Controls: Power on/off, volume +/-, brightness +/-, camera selection
- Triggers: Two 12V
- Built-in speaker
- On screen display menu
- Multiple mounting options (AMPS compatible)

OBSERVATION
SYSTEMS



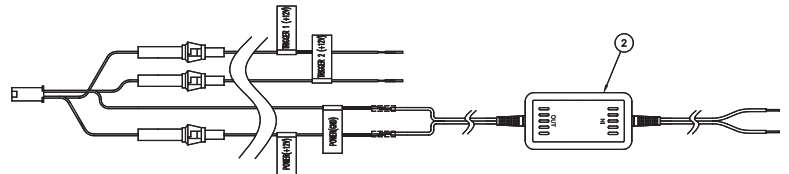
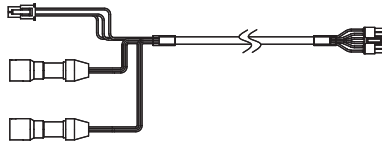
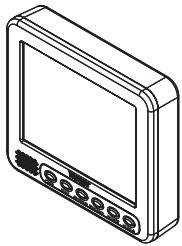
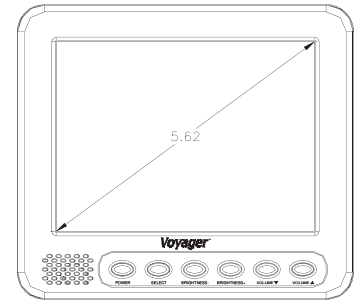
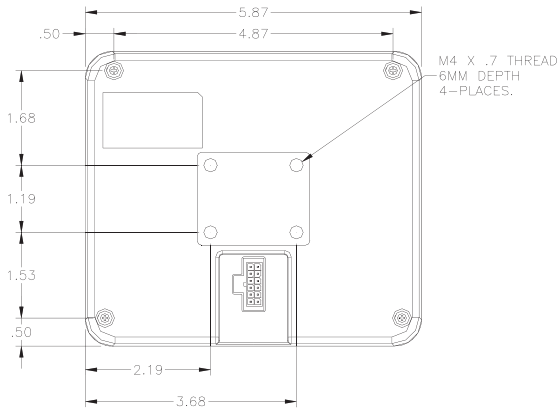
M. S. Foster & Associates

1866 N. Country Lane, Michigan City, IN 46360
Phone 219-879-9225 • Toll Free 888-452-4053
Fax 219-879-9313 • email: sales@msfoster.com
www.msfoster.com

EXPAND your vision™

Voyager® AOM562HD

5.6" Heavy Duty LCD Color Observation Monitor



General Specifications:

Power System	12VDC	
Operating Voltage Range	10V to 16V	
Current Draw @ 12V	Idle	12mA
	Nominal	640mA
	Maximum	810mA
Operating Temperature Range	32°F to 140°F	0°C to 60°C
Storage Temperature Range	-13°F to 140°F	-25°C to 60°C
Maximum Relative Humidity	100%	
Overall Dimensions	5.87"W x 5.24"H x 1.22"D	
Product Weight (unpacked)	1lb	

Performance Specifications:

Video / Display System	NTSC		
Video Input Signal (Composite)	1V P-P		
LCD Specifications	Diagonal Size	5.6"	
	Resolution	960(W) x 234(H)	
	Brightness	500 nit	
	Contrast Ratio	250:1	
	View Angles	Top	30°
		Bottom	50°
		Left	50°
		Right	50°
	Display Format	4:3	
	Response Time	Rise	30ms
Fall		40ms	