



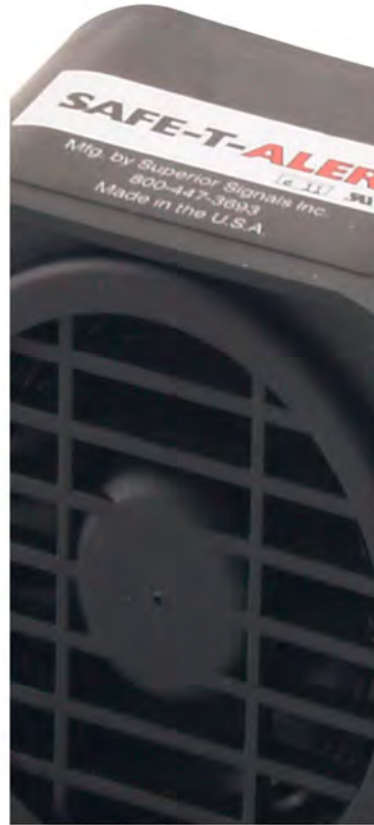
MS FOSTER

SERVING THE TRANSPORTATION INDUSTRY

1866 North Country Lane
Michigan City, IN 46360

OFFICE 219.879.9225
TOLL FREE 888.452.4053
FAX 219.879.9313

sales@msfoster.com
www.msfoster.com



SAFETY CATALOG

Superior Signals Inc. is a leading manufacturer and distributor of quality warning products, electrical components and accessories for equipment and vehicles in material handling, construction, agriculture, aviation/ground support, and battery charger service.

An industry knowledgeable sales force and dedicated sales representatives combine to assist you in your product requirements for a variety of vehicle and equipment components. We have been providing quality products for over 45 years and our focus is your complete customer satisfaction.

We source products worldwide and test them to insure they meet or exceed performance specifications. Superior Signals Inc. continually adds new items to our inventory in response to customer needs.



Industry Experience

Product and industry expertise from an inside sales team with 80+ total years

Whether needing help specifying vehicle lighting, installation and wiring configurations or finding replacement parts, we set the standard for legendary customer support.

Customer Experience

Our trained inside sales representatives are ready to assist you in placing orders, answering questions and checking price and availability.



MS FOSTER

SERVING THE TRANSPORTATION INDUSTRY

METEORLITE	
Quick Reference Guide (Beacons)	5-7
Beacons	8-21
Mini Bars	22-29
Quick Reference Guide (Modules)	30-31
Modules	32-39
Warning	40
Directional	41-42
Concealed	43-46
Light Housings	47
TRAFFIC-MANAGER	
Arrow / Directional Lights - LED	49-54
Arrow Boards	55
Lift Kits	56
ILLUMINATOR	
Work Lights	58-73
Scene Light	74
Rechargeable	75
SEARCHLIGHTS & SPOTLIGHTS	
Golight® Searchlights	77-79
Night Ray™ Searchlights / Spotlights	80
Unity Manufacturing Co. Spotlights, Rooflights, & Decklights	81-83
SAFE-T-ALERT	
Quick Reference Guide (Alarms)	85
Backup Alarms	86-89
Horns	90-91
Alarms & Bells	91
BROADBAND ALARMS	
Brigade® Broadband Alarms	93
BACKUP WARNING SYSTEMS	
Camera Kits	95-96
Backup Warning System	97
ROADSIDE SAFETY	
Road Flares	99
Reflective Triangles, First Aid Kits & Traffic Cones	100
VEHICLE ACCESSORIES	
Mirrors	102
Fans, Manual Cases, & Accessory Outlets	103
Split Braided Tube & Fire Extinguishers	104
Programmable Code Switches	105
SAFE-T-CONNECT	
Booster Assemblies	107
Jumper Cables	108-109

METEORLITE®

Warning Lights

- ✓ Beacons - LED | Strobe | Rotator | Flasher
- ✓ Mini bars - LED | Strobe | Rotator
- ✓ Light bars - Strobe | Rotator
- ✓ Directional
- ✓ Warning
- ✓ Modules
- ✓ Concealed
- ✓ Housings

From the design of a universal fit strobe light to the design of a custom application for an OEM, Superior Signals maintains the same high standard from design through production. Meteorlite warning lights are available with LED, strobe or halogen technology and a variety of options for brightness, voltage, size, color and mount.

LED warning lights are increasingly becoming the preferred lighting choice for vehicle safety. Their low current draw and operational life at 100,000 hours, makes the LED technology energy efficient and economically resourceful.










BEACONS - STROBE

	JOULE RATING	SIZE	BASE	MOUNT	FLASH RATE	CURRENT DRAW	OUTPUT POWER	FLASH TUBE	CERTIFICATIONS	WARRANTY	VOLTAGE
 METEORLITE 1	1.0	5.00"DIA X 3.63"H	ABS plastic, 3-hole, metal mounting ring & O-Ring seal	Permanent	60±10 Single FPM	0.25A	1.00w	SY360-TUBE	Class III	1 Year power supply	120VAC 240VAC
 METEORLITE 2	1.0	5.00"DIA X 3.63"H	ABS plastic, 3-hole, metal mounting ring & O-Ring seal	Permanent or Magnetic	60±10 Single FPM	0.25A	1.00w	SY360-TUBE	Class III UL CE	1 Year power supply	12-72VDC 12-80VDC
 METEORLITE 25	1.4	5.50"L x 2.65"H x 2.25"D	Polycarbonate, 2-hole	Permanent	60±10 Single FPM	0.25A	1.40w	SY360-TUBE	SAE J845 Class III UL	1 Year power supply	12-72VDC
 METEORLITE 7	1.5	4.75"L x 3.90"H x 3.00"D	Polycarbonate, 2-hole, (epoxy encapsulated optional)	Permanent	60±10 Single FPM	0.40A	1.50w	SY537010	SAE J845 Class III UL	1 Year power supply	12-80VDC
 METEORLITE 5	2.0	2.81"DIA X 5.16"H	Nylon plastic, epoxy encapsulated, 2-hole & O-Ring seal	Permanent, Magnetic or Pipe	75±10 Single FPM	0.50A	2.50w	SY361015 (DC) SY361010 (AC)	SAE J845 Class III UL (DC only) CE (DC only)	1 Year power supply	12-80VDC 120VAC
 METEORLITE 6	2.0	2.81"DIA X 5.16"H	Nylon plastic, epoxy encapsulated, 2-hole & O-Ring seal	Permanent	75±10 Single/ Double FPM	0.50A	2.50w	SY361015	Class III UL	1 Year power supply	12-72VDC
 METEORLITE 920	2.7	5.68"DIA X 4.62"H	Rubber	Permanent	75±10 Single FPM	0.65A @ 12.8v/ 0.17A @ 48.0v	3.40w	SY22010-TUBE	SAE J845 Class III	1 Year power supply	12-48VDC
 METEORLITE 200	3.0	4.50"DIA X 4.00"H 4.62"DIA X 5.90"H	Polycarbonate & 3-hole	Permanent	70±10 Single FPM	0.50A @ 12.8v/ 0.40A @ 48.0v	3.40w	SY362300	SAE J845 Class III	1 Year power supply	12-48VDC Low profile 12-48VDC High profile
 METEORLITE 925	4.0	5.68"DIA X 4.62"H	Rubber	Permanent	65±10 Double FPM	0.65A @ 12.0v/ 0.17A @ 48.0v	4.50w	SY22010-TUBE	SAE J845 Class III	1 Year power supply	12-48VDC
 METEORLITE 22210	4.5	6.75"DIA X 4.5"H 6.75"DIA X 6.25"H	Aluminum, combination 1" NPT or permanent mount & rubber gasket seal	Permanent	80±10 Single FPM	2.30A MAX @ 12.8v/ 1.50A MAX @ 24.0v	11.0w	SY22020-TUBE	SAE J845 Class II	1 Year power supply	120VAC Low profile 120VAC High profile
 METEORLITE 100	6.0	5.00"DIA X 3.63"H	ABS plastic, 3-hole	Permanent or Magnetic	70±10 Quad FPM	1.00A	7.00w	SY363-TUBE	SAE J845 Class II	1 Year power supply	12-24VDC
 METEORLITE 200HS	6.0	6.50"DIA X 5.87"H	Polycarbonate & 3-hole	Permanent	75±10 Single FPM	0.90A @ 12.8v/ 0.60A @ 24.0v	7.50w	SY363003	SAE J845 Class III UL	1 Year power supply	12-24VDC
 METEORLITE 950	7.0	5.68"DIA X 4.62"H	Rubber	Permanent	65±10 Double FPM	1.00A MAX @ 12.8v/ 0.47A MAX @ 48.0v	7.00w	SY22010-TUBE	SAE J845 Class III	1 Year power supply	12-48VDC
 METEORLITE 200HD	7.0	6.50"DIA X 5.87"H	Polycarbonate & 3-hole	Permanent	75±10 Double FPM	0.90A MAX @ 12.8v/ 0.60A MAX @ 24v	8.75w	SY363003	SAE J845 Class III UL	1 Year power supply	12-24VDC
 METEORLITE 22010	8.0	6.75"DIA X 4.50"H 6.75"DIA X 6.25"H	Aluminum, combination 1" NPT or permanent mount & rubber gasket seal	Permanent or Magnetic	80±10 Double FPM	2.30A MAX @ 12.8v/ 1.50A MAX @ 24.0v	11.00w	SY22010-TUBE	SAE J845 Class II	2 Year power supply	12-24VDC





* L = Low Profile, H = High Profile, M = Magnetic Mount, P = Pipe Mount, S = Single Flash, D = Double Flash, Q = Quad Flash
Meteorlite® Beacons are available in Amber, Blue, Clear, Red, and Green. Add -A, -B, -C, -R, or -G to part number when ordering.

BEACONS - STROBE

	JOULE RATING	SIZE	BASE	MOUNT	FLASH RATE	CURRENT DRAW	OUTPUT POWER	FLASH TUBE	CERTIFICATIONS	WARRANTY	VOLTAGE
	10.0	6.75"DIA X 4.50"H 6.75"DIA X 6.25"H	Aluminum or ABS plastic, epoxy encapsulated & rubber gasket seal	Permanent or Magnetic	70±10 Quad FPM	2.30A MAX @ 12.8v 1.50A MAX @ 24.0v	12.00w	SY22010-TUBE	SAE J1318 Class II	2 Year power supply	12-24vdc
	10.0	6.75"DIA X 4.50"H 6.75"DIA X 6.25"H	Aluminum, combination 1" NPT or permanent mount & rubber gasket seal	Permanent or Magnetic	80±10 Double FPM	2.50A MAX @ 12.8v 1.70A MAX @ 24.0v	13.50w	SY22020-TUBE	SAE J1318 Class II & CE	2 Year power supply	12-24vdc
	10.0	5.68"DIA X 4.62"H	Rubber	Permanent	80±10 Double FPM	2.50A MAX @ 12.8v 1.00A MAX @ 48.0v	13.50w	SY22020-TUBE	SAE J1318 Class I	1 Year power supply	12-48vdc
	13.0	6.50"DIA X 6.25"H 6.50"DIA X 8.00"H	Aluminum, enclosed base, J-hook mounting kit & rubber gasket seal	Permanent or Magnetic	80±10 Double FPM 70±10 Quad FPM	2.50A MAX @ 12.8v/ 0.90A MAX @ 480v	18.00w	SY360-8651	SAE J1318 Class I	2 Year power supply	12-48vdc
	13.0	6.75"DIA X 4.50"H 6.75"DIA X 6.25"H	Aluminum, combination 1" NPT or permanent mount & rubber gasket seal	Permanent or Magnetic	70±10 Quad FPM	2.60A MAX @ 12.8v/ 1.80A MAX @ 240v	18.00w	SY22020-TUBE	SAE J1318 Class I	2 Year power supply	12-24vdc
	7.0 LOW 13.0 HIGH	6.75"DIA X 4.50"H 6.75"DIA X 6.25"H	Aluminum, combination 1" NPT or permanent mount & rubber gasket seal	Permanent or Magnetic	70±10 Quad FPM	2.60A MAX @ 12.8v	16.00w	SY22020-TUBE	SAE J1318 Class I & II Self Adjusting	2 Year power supply	12-24vdc
	15.0	6.75"DIA X 4.50"H 6.75"DIA X 6.25"H	Aluminum, 1" NPT or permanent mount, epoxy encapsulated & rubber gasket seal	Permanent or Magnetic	70±10 Quad FPM	2.60A MAX @ 12.8v 1.80A MAX @ 240v	18.00w	SY22020-TUBE	SAE J1318 Class I	2 Year power supply	12-24vdc





BEACONS - LED

Industrial LED Beacons


	SIZE	BASE	MOUNT	FLASH RATE	CURRENT DRAW	COLORS	CERTIFICATIONS	WARRANTY	VOLTAGE
	3.54"DIA X 3.63"H	ABS plastic, epoxy encapsulated & 3-hole	Permanent or Magnetic	60±10 Quad FPM	0.10A	Amber Red	UL CE	1 Year	12-80vdc 12-24vdc
	2.38"DIA X 5.16"H	Nylon plastic, epoxy encapsulated & 2-hole	Permanent, Magnetic or Pipe	60±10 Quad FPM	0.10A	Amber Blue Clear Green Red	UL CE	2 Year	12-80vdc 12-24vdc
	3.00"DIA X 3.90"H	Polycarbonate plastic	Permanent	60±10 Quad FPM	0.40A	Amber Blue Clear Green Red	UL CE	2 Year	12-80vdc
	2.88"DIA X 3.15"H	Polycarbonate plastic, epoxy encapsulated & 2-hole	Permanent	60±10 Quad FPM	0.10A	Amber Blue Clear Green Red	UL CE	2 Year	12-80vdc

* L = Low Profile, H = High Profile, M = Magnetic Mount, P = Pipe Mount, S = Single Flash, D = Double Flash, Q = Quad Flash
Meteorlite® Beacons are available in Amber, Blue, Clear, Red, and Green. Add -A, -B, -C, -R, or -G to part number when ordering.





OTR LED Beacons

	SIZE	BASE	MOUNT	FLASH PATTERNS	CURRENT DRAW	COLORS	CERTIFICATIONS	WARRANTY	VOLTAGE
	6.38"DIA X 6.07"H OR 6.38"DIA X 4.44"H	Aluminum, combination 1" NPT or permanent mount, epoxy encapsulated, 3-hole	Permanent or Magnetic	11	0.80A @ 12.0v/ 0.30A @ 48.0v	Amber Blue Red	Class I CA Title 13	5 Year	12-48vdc
	5.60"DIA X 2.60"H	ABS plastic	Permanent or Magnetic	11	1.20A @ 12.0v/ 0.70A @ 24.0v	Amber	Class I CA Title 13	3 Year	12-24vdc
	6.60"DIA X 6.25"H OR 6.60"DIA X 4.89"H	ABS plastic	Permanent or Magnetic	15	1.10A @ 12.0v/ 0.60A @ 24.0v	Amber	Class I	5 Year	12-24vdc
	6.00"DIA X 6.25"H OR 6.00"DIA X 4.90"H OR 5.59"DIA X 3.15"H	Polycarbonate plastic	Permanent or Pipe	5	0.20A @ 12.0v/ 0.07A @ 11.0v	Amber	SAE J845, Class II, IPX5	5 Year	12-110vdc

BEACONS - ROTATORS

	SIZE	LAMP	BASE	MOUNT	CURRENT DRAW	FLASH RATE	CERTIFICATIONS	COLORS	WARRANTY	VOLTAGE
	7.83"DIA X 5.40"H	SY12258	Polycarbonate w/ foam mounting gasket	Permanent or Vacuum Magnetic	4.50A	90FPM	SAE J845 CE	Amber Blue Red Clear	2 Year	12vdc

BEACONS - FLASHERS

	CANDLE POWER	SIZE	BASE	MOUNT	FLASH RATE	CURRENT DRAW	BULB	COLORS	CERTIFICATIONS	WARRANTY	VOLTAGE
	20MEAN	3.54"DIA X 3.63"H	ABS plastic, 3-hole, metal mounting ring & O-Ring seal	Permanent	65±10 Single FPM	2.00A MAX	SY360-1156 SY360-4305	Amber Blue Clear Green Red		1 Year	36-48vdc
	20MEAN	2.38"DIA X 5.16"H	Nylon plastic, epoxy encapsulated, 2-hole & O-Ring seal	Permanent, Magnetic	65±10 Single FPM	2.00A MAX	SY360-4305 SY360-1156	Amber Blue Clear Green Red	UL	1 Year	12-24vdc 36-48vdc
	20MEAN	5.5"L X 2.65"H X 2.25"D	Polycarbonate, 2-hole	Permanent	65±10 Single	2.50A MAX	SY360-4305	Amber Blue Clear Green Red		1 Year	36-48vdc
	180MEAN	4.62"DIA X 5.90"H 4.50"DIA X 4.00"H	Polycarbonate with 3-hole	Permanent	60±10 Single FPM	2.50A MAX @ 12.8v/ 1.70A MAX @ 24.0v	SY362796	Amber Blue Clear Green Red		1 Year	12-24vdc

* L = Low Profile, H = High Profile, M = Magnetic Mount, P = Pipe Mount, S = Single Flash, D = Double Flash, Q = Quad Flash
Meteorlite® Beacons are available in Amber, Blue, Clear, Red, and Green. Add -A, -B, -C, -R, or -G to part number when ordering.

2 LED SERIES



SY361100-A-LED

SY361100M-A-LED

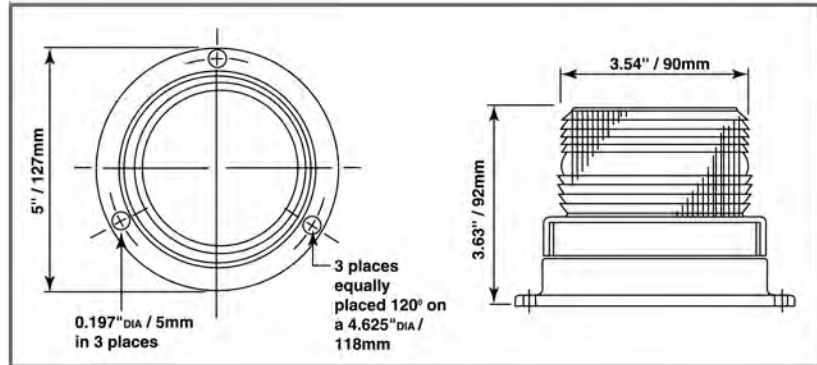
Specifications:

Voltage: 12-80vdc or 12-24vdc
 Mounting Base: ABS plastic, epoxy encapsulated & 3-hole
 Mount: Permanent or magnetic
 Cord: Magnetic mount includes cord with cigarette plug
 Lens: Polycarbonate
 Profile: Low
 Lamp: 3 LEDs per head
 FPM: 60 ± 10 Quad
 Current Draw: 0.1A avg
 Warranty: 1 Year
Certifications: UL approved, CE

Replacement Parts:

PART #	DESCRIPTION
SY360070	Mounting bracket
SY360071	Mounting bracket
SY360072	Suction cup kit
SY360073	Magnetic mount kit
SY360076	Cigarette plug kit
SY360077	Guard, chrome
SY360077-BLK	Guard, black

PART #	LENS	LED
12-80VDC, Permanent Mount		
SY361100-A-LED	Amber	Amber
SY361100-R-LED	Red	Red
12-24VDC, Magnetic Mount		
SY361100M-A-LED	Amber	Amber



5 LED SERIES



SY361005P-A-LED

SY361005-A-LED

SY361005M-A-LED

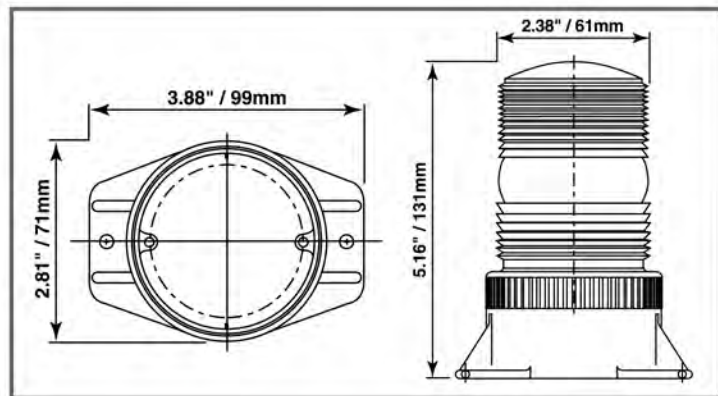
Specifications:

Voltage: 12-80vdc or 12-24vdc
 Mounting Base: Nylon plastic, epoxy encapsulated & 2-hole
 Mount: Permanent, magnetic or pipe mount
 Cord: Magnetic mount includes cord with cigarette plug
 Lens: Polycarbonate
 Profile: High
 Lamp: 3 LEDs per head
 FPM: 60 ± 10 Quad
 Current Draw: 0.1A avg
 Warranty: 2 Year
Certifications: UL approved, CE

Replacement Parts:

PART #	DESCRIPTION
SY361009	Mounting bracket
SY361011	Guard, chrome
SY361012	Guard, heavy duty

PART #	LENS	LED
12-80vdc Permanent Mount		
SY361005-A-LED	Amber	Amber
SY361005-B-LED	Blue	Blue
SY361005-C-LED	Clear	Clear
SY361005-G-LED	Green	Green
SY361005-R-LED	Red	Red
12-80vdc Pipe Mount 1/2"		
SY361005P-A-LED	Amber	Amber
SY361005P-B-LED	Blue	Blue
SY361005P-C-LED	Clear	Clear
SY361005P-R-LED	Red	Red
12-24vdc Magnetic Mount		
SY361005M-A-LED	Amber	Amber



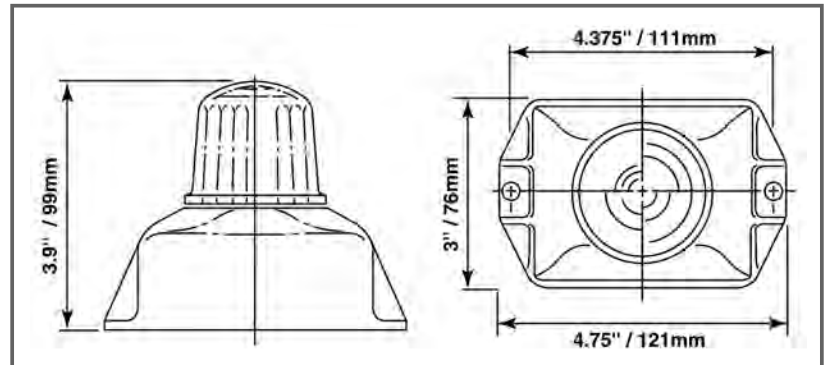
7 LED SERIES



Specifications:

Voltage: 12-80VDC
 Light Source: 3 LEDs
 Size: 4.375" L x 3" w x 3.9" H
 Mounting Base: Polycarbonate, 2-hole
 Mount: Permanent
 Lens: Polycarbonate
 Profile: Low
 FPM: 60 ± 10 Single
 Current Draw: 0.4A avg
 Warranty: 2 Year
Certifications: UL approved, CE

PART #	LENS	DESCRIPTION
SY537000-A-LED	Amber	ML7 LED Amber Strobe 12-80V
SY537000-B-LED	Blue	ML7 LED Blue Strobe 12-80V
SY537000-C-LED	Clear	ML7 LED Clear Strobe 12-80V
SY537000-G-LED	Green	ML7 LED Green Strobe 12-80V
SY537000-R-LED	Red	ML7 LED Red Strobe 12-80V



55 LED SERIES



Specifications:

Voltage: 12-80VDC
 Mounting Base: Polycarbonate plastic, epoxy encapsulated & 2-hole
 Mount: Permanent
 Lens: Polycarbonate, sonic welded
 Profile: Low
 Lamp: 3 LEDs per head
 FPM: 60 ± 10 Quad
 Current Draw: 0.1A avg
 Warranty: 2 Year
Certifications: UL approved, CE

Replacement Parts:

PART #	DESCRIPTION
SY361011L	Guard

PART #	LENS	LED
SY361005L-A-LED	Amber	Amber
SY361005L-B-LED	Blue	Blue
SY361005L-C-LED	Clear	Clear
SY361005L-G-LED	Clear	Clear
SY361005L-R-LED	Red	Red

22050 LED SERIES



High Profile
Permanent Mount



Magnetic mount
models include lighted
on/off rocker switch

Specifications:

Voltage: 12-48v

Mounting Base: Aluminum, Combination 1" NPT or permanent mount, Epoxy encapsulated, 3-hole

Mount: Permanent or magnetic

Cord/Switch: Magnetic mount includes cord with cigarette plug & lighted on/off rocker switch

Lens: Polycarbonate, 4 screws

Profile: Low or high

Lamp: 24 LEDs per head, replaceable

Flash Patterns: 11

Current Draw: 0.8A Max @ 12v / 0.3A Max @ 48v

Warranty: 5 Year

Certifications: Class I

Replacement Parts:

PART #	DESCRIPTION
SY2200L-A	Amber lens, Low profile*
SY2200L-B	Blue lens, Low profile*
SY2200L-C	Clear Lens, Low Profile*
SY2200L-R	Red lens, Low profile*
SY2200H-A	Amber lens, High profile*
SY2200H-B	Blue lens, High profile*
SY2200H-C	Blue Lens, High Profile*
SY2200H-R	Red lens, High profile*
SYMMK	Magnetic mount kit
SY360082L	Guard, low profile
SYBGH	Guard, high profile
SYDCH	Dust cover, high profile
SY360078	Vacuum magnetic mount kit
SY360076-B	Cigarette plug kit

* Match replacement lens to LED lamp color.

PART #	LENS	LED
Low Profile Permanent Mount		
SY22050L-A	Amber	Amber
SY22050L-B	Blue	Blue
SY22050L-C	Clear	Clear
SY22050L-C-A	Clear	Amber
SY22050L-R	Red	Red
Low Profile Magnetic Mount		
SY22050LM-A	Amber	Amber
SY22050LM-B	Blue	Blue
SY22050LM-C	Clear	Clear
SY22050LM-C-A	Clear	Amber
SY22050LM-R	Red	Red

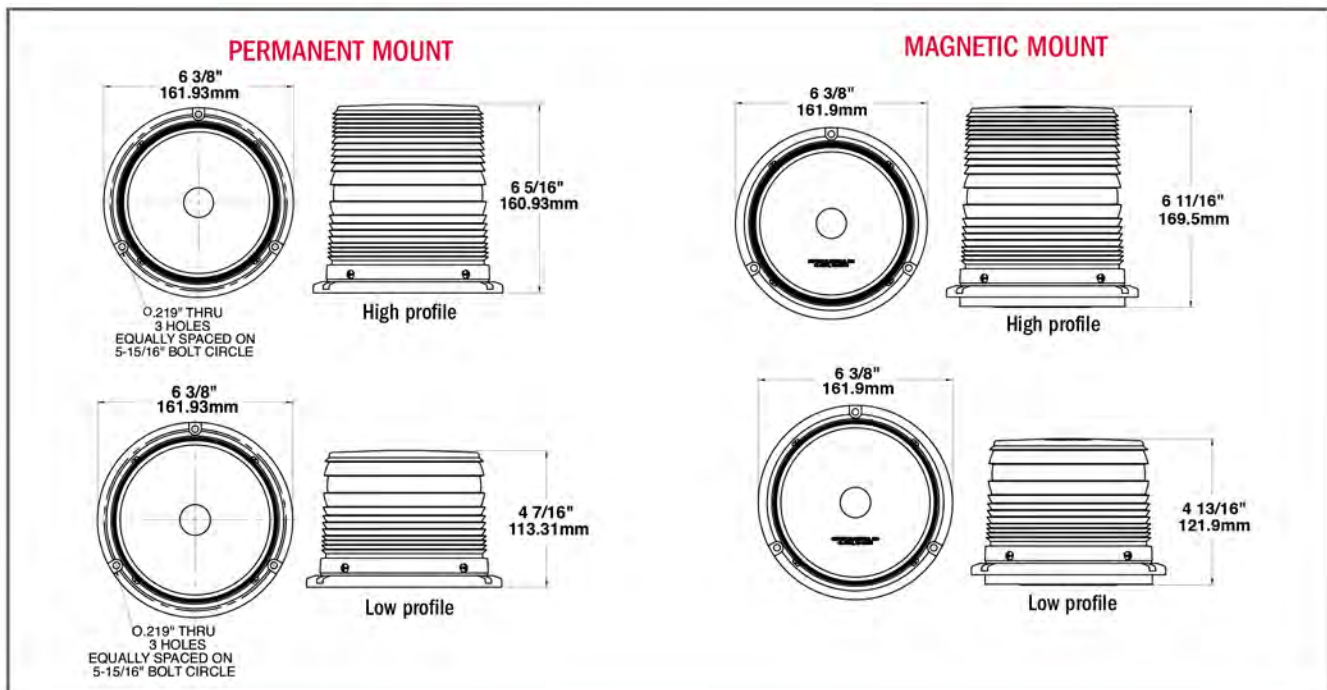
PART #	LENS	LED
High Profile Permanent Mount		
SY22050H-A	Amber	Amber
SY22050H-A-CA13	Amber	Amber
SY22050H-B	Blue	Blue
SY22050H-C	Clear	Clear
SY22050H-C-A	Clear	Amber
SY22050H-R	Red	Red
High Profile Magnetic Mount		
SY22050HM-A	Amber	Amber
SY22050HM-B	Blue	Blue
SY22050HM-C	Clear	Clear
SY22050HM-C-A	Clear	Amber
SY22050HM-R	Red	Red



Replaceable LED lamp

Flash Patterns:

Quad Flash
Rapid Flash
Double Flash
Single Slow Flash
Quint Flash
Accelerated Flash
Single Flash
Double Slow Flash
Triple Flash
Random Flash #1
Random Flash #2



22060 LED SERIES



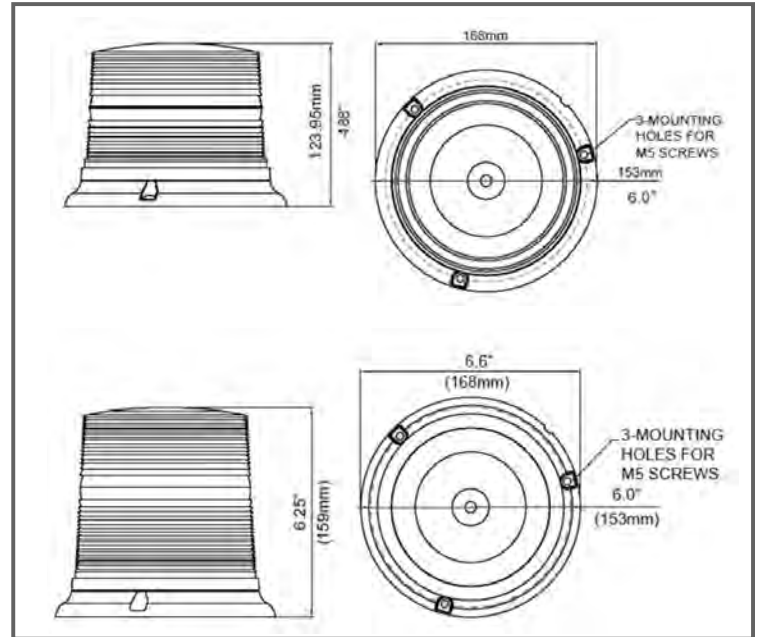
PART #	LENS	LED
Low Profile Permanent Mount		
SY22060L-A	Amber	Amber
SY22060L-C	Clear	Clear
Low Profile Magnetic Mount		
SY22060LM-A	Amber	Amber
SY22060LM-C	Clear	Clear
High Profile Permanent Mount		
SY22060H-A	Amber	Amber
SY22060H-C	Clear	Clear
High Profile Magnetic Mount		
SY22060HM-A	Amber	Amber
SY22060HM-C	Clear	Clear

Flash Patterns:

Double (2Hz)	Ultra (SAE)
Single (2Hz)	Single-Quad
Quad (2Hz)	Single H/L
Single (SAE)	Steady
Double (SAE)	Single Rotator (150FPM)
Quad (SAE)	Double Rotator (94FPM)
Quint (SAE)	Double Rotator x5 --> Quint x5
Mega	

Specifications:

Voltage: 12-24v
 Mounting Base: ABS Plastic, Combination 1" NPT or permanent mount, 3-hole
 Mount: Permanent or magnetic
 Cord/Switch: Magnetic mount includes cord with cigarette plug & lighted on/off rocker switch
 Lens: Polycarbonate
 Profile: Low or High
 Lamp: 8 LEDs per head, Flash Patterns: 15
 Current Draw: 1.1A Max @ 12v / 0.6A Max @ 24v
 Warranty: 3 Year
Certifications: Class I



22060 (EXTREME LOW) LED SERIES



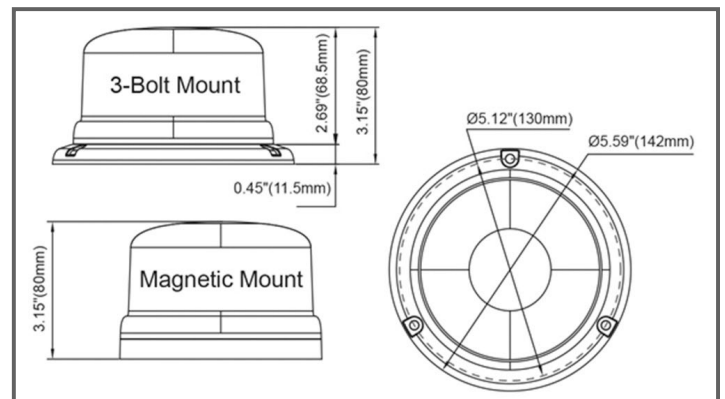
PART #	LENS	LED
Extreme Low Profile Permanent Mount		
SY22060ELP-A	Amber	Amber
Extreme Low Profile Magnetic Mount		
SY22060ELM-A	Amber	Amber

Flash Patterns:

Double (R65)	Quad (SAE)
Single (2Hz)	Mega
Quad (2Hz)	Ultra (SAE)
Single (SAE)	Single-Quad
Double (SAE)	Single H/L

Specifications:

Voltage: 12-24v
 Mounting Base: ABS Plastic, 3-hole
 Mount: Permanent or magnetic Cord/Switch: Magnetic mount includes cord with cigarette plug & lighted on/off rocker switch
 Lens: Polycarbonate
 Profile: Extreme Low
 Lamp: 8 (3W) LEDs per head, Flash Patterns: 11
 Current Draw: 2.4A Max @ 12v / 1.3A Max @ 24v
 Warranty: 5 Year
Certifications: Class I, CA Title 13



22062 LED SERIES



Specifications:

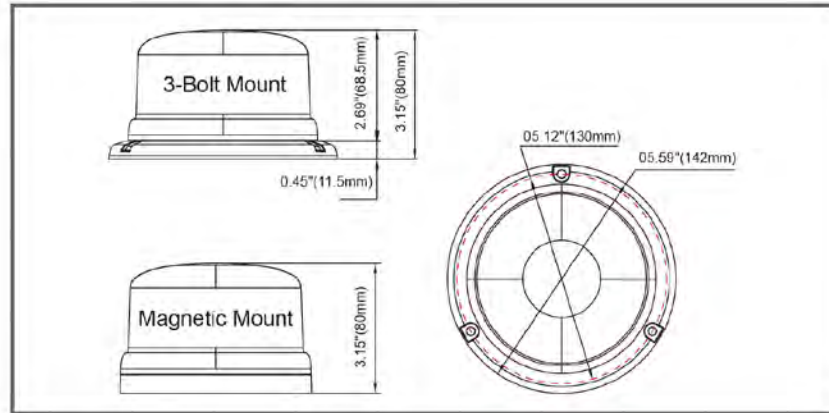
Voltage: 12-110v
 Mounting Base: Polycarbonate plastic
 Mount: Combination 1" NPT or permanent mount, 3-hole (cigar-plug for magnetic mount)
 Lens: Polycarbonate
 Profile: High, low or extra low
 Lamp: 3 LEDs per head
 FPM: 5
 Current Draw: 0.2A Max @ 12v/0.07A Max @ 110v
 Warranty: 5 Year
Certifications: Sae J845, Class II, IPX5

Flash Patterns:

8 Flash
Single
Double
Triple
Quad

PART #	COLOR	MOUNT
--------	-------	-------

Extra Low Profile Class 2		
SY22062ELM-A	Amber	Magnetic
SY22062ELP-A	Amber	Permanent
Low Profile Class 2		
SY22062L-A	Amber	Permanent
SY22062L-C	Clear	Permanent
SY22062LM-A	Amber	Magnetic
SY22062LM-C	Clear	Magnetic
High Profile Class 2		
SY22062H-A	Amber	Permanent
SY22062H-C	Clear	Permanent
SY22062HM-A	Amber	Magnetic
SY22062HM-C	Clear	Magnetic



Beacons - Rotator

5700 SERIES



Specifications:

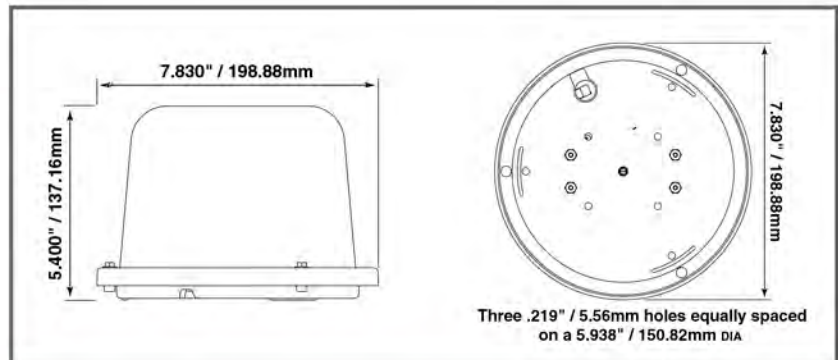
Voltage: 12v
 Mounting Base: Polycarbonate & foam gasket seal
 Mount: Permanent or vacuum magnetic
 Cord/Switch: Vacuum magnetic mount includes 11' cord with cigarette plug & lighted on/off rocker switch
 Lens: Polycarbonate
 Lamp: H1 55w, quartz halogen
 FPM: 90
 Current Draw: 4.5A
 Warranty: 2 Year
Certifications: SAE J845, CE

PART #	LENS
--------	------

Permanent Mount	
SY5700-A	Amber
SY5700-C	Clear
Vacuum Magnetic Mount	
SY5700VM-A	Amber
SY5700VM-B	Blue
SY5700VM-R	Red

Replacement Parts:

PART #	DESCRIPTION
SY93601	Rotator assembly
SY12258	Lamp



1 & 2 SERIES



SY360080-A



PART #	LENS
12-80vdc, Permanent Mount	
SY360080-A	Amber
SY360080-B	Blue
SY360080-C	Clear
SY360080-G	Green
SY360080-R	Red
12-72vdc, Permanent Mount	
SY361100-A	Amber
SY361100-B	Blue
SY361100-C	Clear
SY361100-R	Red
12-72vdc, Magnetic Mount	
SY361100M-A	Amber
SY361100M-B	Blue
SY361100M-C	Clear
12-80vdc, Permanent Mount	
STA990000-A	Amber
STA990000-B	Blue
STA990000-C	Clear
STA990000-G	Green
STA990000-R	Red

PART #	LENS
12-80vdc, Magnetic Mount	
STA990000M-A	Amber
STA990000M-B	Blue
STA990000M-C	Clear
STA990000M-G	Green
STA990000M-R	Red
120vac, Permanent Mount, Line Cord	
SY360120-ALC	Amber
SY360120-BLC	Blue
SY360120-CLC	Clear
SY360120-GLC	Green
SY360120-RLC	Red
240vac, Permanent Mount	
SY360240-A	Amber
SY360240-B	Blue
SY360240-C	Clear
SY360240-G	Green
SY360240-R	Red

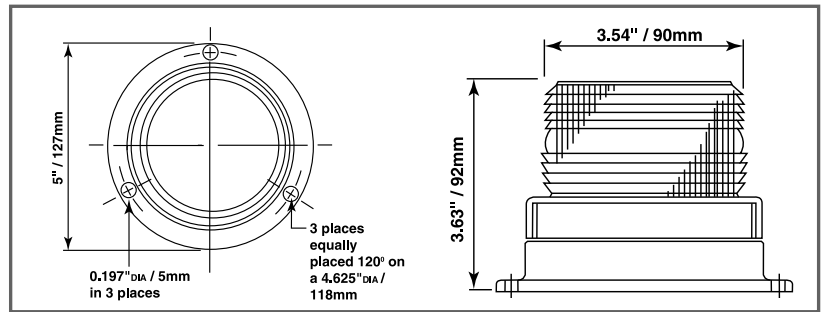
Specifications:

Joule Rating: 1
 Mounting Base: ABS plastic, 3-hole, metal mounting ring & O-ring seal
 Mount: Permanent or magnetic
 Size: 5.00" DIA X 3.63"H
 Lens: Polycarbonate screw-off
 Flash Tube: Xenon field replaceable
 FPM: 60 ± 10 Single
 Voltage: 120 or 240vac, 12-80vdc or 12-72vdc
 Current Draw: 0.25A Max
 Output Power: 1w
 Polarity Protected: Diode
 Warranty: 1 Year

Certifications: Class III UL approved (SY361100 & STA990000 models), CE approved

Replacement Parts:

PART #	DESCRIPTION
SY360-AMB	Amber lens
SY360-BLU	Blue lens
SY360-CLR	Clear lens
SY360-GRN	Green lens
SY360-RED	Red lens
SY360-TUBE	Flash tube
SY360070	Mounting bracket
SY360071	Mounting bracket
SY360072	Suction cup kit
SY360073	Magnetic mount kit
SY360074	1/2" Pipe base kit
SY360075	3/4" Pipe base kit
SY360076	Cigarette plug kit (2 Series)
SY360077	Guard, chrome
SY360077-BLK	Guard, black



25 SERIES



SY367000-A



PART #	LENS
SY367000-A	Amber
SY367000-B	Blue
SY367000-C	Clear
SY367000-G	Green
SY367000-R	Red

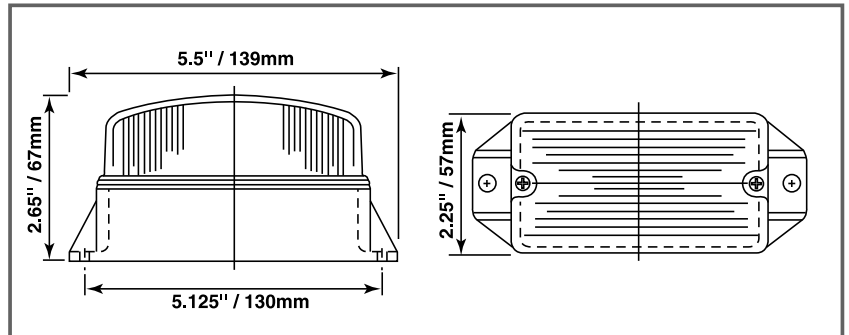
Specifications:

Joule Rating: 1.4
 Mounting Base: Polycarbonate, 2-hole
 Mount: Permanent
 Size: 5.50"L x 2.65"H x 2.25"D
 Lens: Polycarbonate, 2-hole
 Flash Tube: Xenon field replaceable
 FPM: 60 ± 10 Single
 Voltage: 12-72vdc
 Current Draw: 0.25A Max
 Output Power: 1.4w
 Polarity Protected: Diode
 Warranty: 1 Year

Certifications: Class III, UL approved, SAE J845

Replacement Parts:

PART #	DESCRIPTION
SY367-AMB	Amber lens
SY367-BLU	Blue lens
SY367-CLR	Clear lens
SY367-GRN	Green lens
SY367-RED	Red lens
SY360-TUBE	Flash tube
SY367011	Guard



7 SERIES



SY537000-A



PART #	LENS
SY537000-A	Amber
SY537000-B	Blue
SY537000-C	Clear
SY537000-G	Green
SY537000-R	Red
SY537000E-A	Amber*

* Indicates Epoxy encapsulated

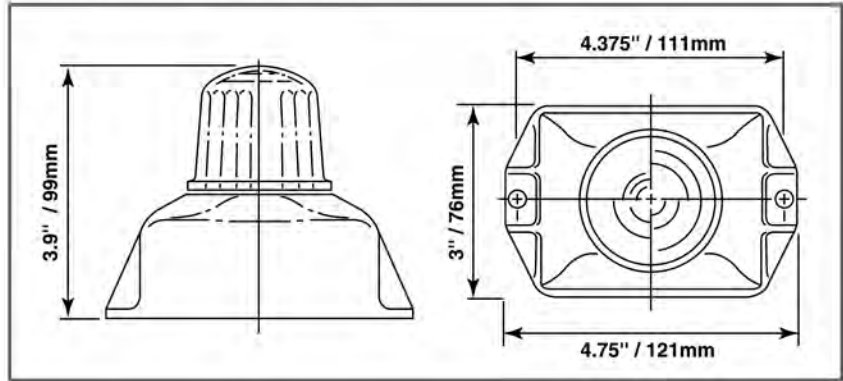
Specifications:

Joule Rating: 1.5
 Mounting Base: Polycarbonate, 2-hole, epoxy encapsulated optional
 Mount: Permanent
 Size: 4.75" DIA x 3.90" H x 3.00" D
 Lens: Polycarbonate screw-off
 Flash Tube: Xenon field replaceable
 FPM: 60 ± 10 Single
 Voltage: 12-80vdc
 Current Draw: 0.4A Max
 Output Power: 1.5w
 Polarity Protected: Diode
 Warranty: 1 Year

Certifications: Class III, UL approved, SAE J845

Replacement Parts:

PART #	DESCRIPTION
SY537003-A	Amber lens
SY537003-B	Blue lens
SY537003-C	Clear lens
SY537003-G	Green lens
SY537003-R	Red lens
EL360-1035	Flash tube



5 & 6 SERIES



SY361005P-A

SY361005-A



PART #	LENS
12-80vdc, Permanent Mount	
SY361005-A	Amber
SY361005-B	Blue
SY361005-C	Clear
SY361005-G	Green
SY361005-R	Red
12-80vdc, Magnetic Mount	
SY361005M-A	Amber
SY361005M-B	Blue
SY361005M-C	Clear
SY361005M-G	Green
SY361005M-R	Red
120vac, Line Cord 6'	
SY361120-ALC	Amber
SY361120-BLC	Blue
SY361120-CLC	Clear
SY361120-GLC	Green
SY361120-RLC	Red

PART #	LENS
12-80vdc, Pipe Mount 1/2"	
SY361005P-A	Amber
SY361005P-B	Blue
SY361005P-C	Clear
SY361005P-G	Green
SY361005P-R	Red
12-72vdc, Permanent Mount	
SY361006-A	Amber
SY361006-B	Blue
SY361006-C	Clear
SY361006-G	Green
SY361006-R	Red

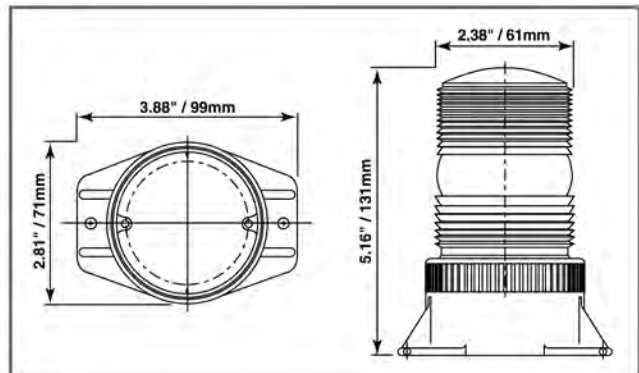
Specifications:

Joule Rating: 2
 Mounting Base: Nylon plastic, epoxy encapsulated, 2-hole & O-ring seal
 Mount: Permanent, magnetic or pipe mount
 Lens: Polycarbonate screw-off
 Switch: Manual for single or double flash (6 Series)
 Flash Tube: Xenon field replaceable
 FPM: 75 ± 10 Single or Single/Double
 Voltage: 12-80vdc or 120vac
 Current Draw: 0.5A Max
 Output Power: 2.5w
 Polarity Protected: Diode
 Warranty: 1 Year

Certifications: Class III, SAE J845 (5 Series), UL approved (DC models only), CE approved (DC 5 Series only)

Replacement Parts:

PART #	DESCRIPTION
SY361-AMB	Amber lens
SY361-BLU	Blue lens
SY361-CLR	Clear lens
SY361-GRN	Green lens
SY361-RED	Red lens
SY361010	U tube (AC only)
EL360-1035	Straight tube
SY361009	Mounting bracket
SY361011	Guard
SY361012	Guard, heavy duty



200 SERIES



SY362002HS-A

SY362002HD-A



SY362000-A

200 (3 Joules)

PART #	LENS
12-48vdc, Low Profile	
SY362000-A	Amber
SY362000-B	Blue
SY362000-C	Clear
SY362000-G	Green
SY362000-R	Red
12-48vdc, High Profile	
SY362000H-A	Amber
SY362000H-B	Blue
SY362000H-C	Clear
SY362000H-R	Red

200HS (6 Joules)

PART #	LENS
12-24vdc, High Profile, Single FPM	
SY362002HS-A	Amber
SY362002HS-B	Blue
SY362002HS-C	Clear
SY362002HS-R	Red

200HD (7 Joules)

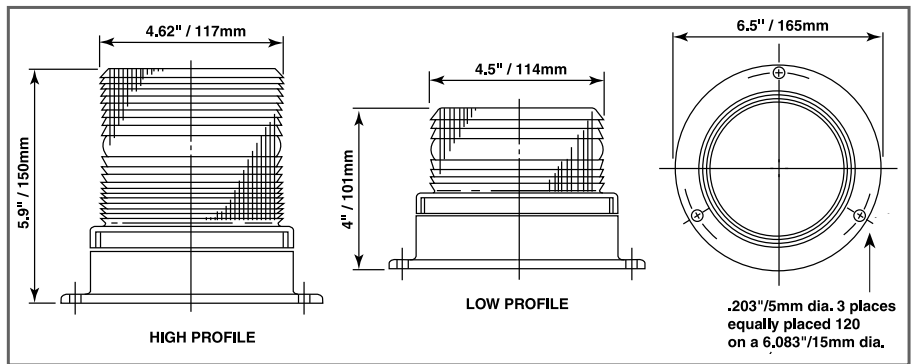
PART #	LENS
12-24vdc, High Profile, Double FPM	
SY362002HD-A	Amber
SY362002HD-B	Blue
SY362002HD-C	Clear
SY362002HD-R	Red

Specifications:

Joule Rating: 3 (200), 6 (200HS), 7 (200HD)
 Mounting Base: Polycarbonate, 3-hole
 Mount: Permanent
 Lens: Polycarbonate screw-off
 Flash Tube: Xenon field replaceable
 FPM: 70 ± 10 (200), 75 ± 10 Single (200HS),
 75 ± 10 Double (200HD)
 Voltage: 12-48vdc (200), 12-24vdc (200HS & 200HD)
 Current Draw: 0.5A Max @ 12.8vdc /
 0.4A Max @ 48vdc (200)
 0.9A Max @ 12.8vdc /
 0.6A Max @ 48vdc (200HS & 200HD)
 Polarity Protected: Diode
 Profile: Low(200), High(200, 200HS, 200HD)
 Warranty: 1 Year
Certifications: Class III, SAE J845

Replacement Parts:

PART #	DESCRIPTION
SY362-AMB	Amber lens, Low profile (200)
SY362-BLU	Blue lens, Low profile (200)
SY362-CLR	Clear lens, Low profile (200)
SY362-GRN	Green lens, Low profile (200)
SY362-RED	Red lens, Low profile (200)
SY362H-AMB	Amber lens, High profile
SY362H-BLU	Blue lens, High profile
SY362H-CLR	Clear lens, High profile
SY362H-RED	Red lens, High profile
SY362300	Flash tube, Low profile (200)
SY363003	Flash tube, High profile
SY360072	Suction cup mount kit
SY360073	Magnetic mount kit
SY360074	1/2" Pipe mount kit
SY360075	3/4" Pipe mount kit
SY360076	Cigarette plug kit
SY362000-P	Adapter plate for magnetic or pipe mount kits
SY362003	Mounting bracket



920, 925, 950 & 975 SERIES



920 (2.7 Joules)

PART #	LENS
SY920000-A	Amber
SY920000-B	Blue
SY920000-C	Clear
SY920000-G	Green
SY920000-R	Red

950 (7 Joules)

PART #	LENS
SY950000-A	Amber
SY950000-B	Blue
SY950000-C	Clear
SY950000-G	Green
SY950000-R	Red

925 (4 Joules)

PART #	LENS
SY925000-A	Amber
SY925000-B	Blue
SY925000-C	Clear
SY925000-G	Green
SY925000-R	Red

975 (10 Joules)

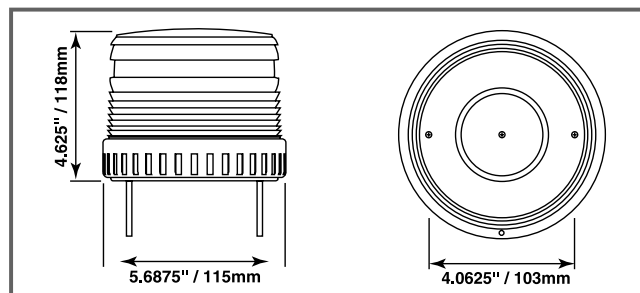
PART #	LENS
SY975000-A	Amber
SY975000-B	Blue
SY975000-C	Clear
SY975000-G	Green
SY975000-R	Red

Specifications:

Joule Rating: 2.7 (920), 4.0 (925), 7.0 (950), 10.0 (975)
 Mounting Base: Rubber
 Mount: Permanent
 Lens: Polycarbonate
 Profile: Low
 Flash Tube: Xenon field replaceable
 Joule Rating: 2.7
 FPM: 75 ± 10 Single (920), 65 ± 10 Double (925 & 950),
 65 ± 10 Double (975)
 Voltage: 12-48vdc
 Current Draw: 0.65A Max @ 12.0vdc / 0.17A Max @ 48.0vdc (920 & 925),
 1.00A Max @ 12.8vdc / 0.47A Max @ 48.0vdc (950),
 2.50A Max @ 12.8vdc / 1.00A Max @ 48.0vdc (975),
 Output Power: 3.4w
 Polarity Protected: Diode
 Warranty: 1 Year
Certifications: Class III, SAE J845

Replacement Parts:

PART #	DESCRIPTION
SY2200L-A	Amber lens
SY2200L-B	Blue lens
SY2200L-C	Clear lens
SY2200L-G	Green lens
SY2200L-R	Red lens
SY22010-TUBE	Flash Tube (920, 925, & 950)
SY22020-TUBE	Flash Tube (975)



100 SERIES



SY363100-A

Specifications:

Joule Rating: 6
 Mounting Base: ABS plastic, 3-hole
 Mount: Permanent or magnetic
 Cord: Magnetic mount includes 12' cord with cigarette plug
 Lens: Polycarbonate screw-off
 Flash Tube: Xenon field replaceable
 FPM: 70 ± 10 Quad
 Voltage: 12-24v
 Current Draw: 1A Avg @12.8vdc
 Output Power: 7w
 Polarity Protected: Diode
 Warranty: 1 Year

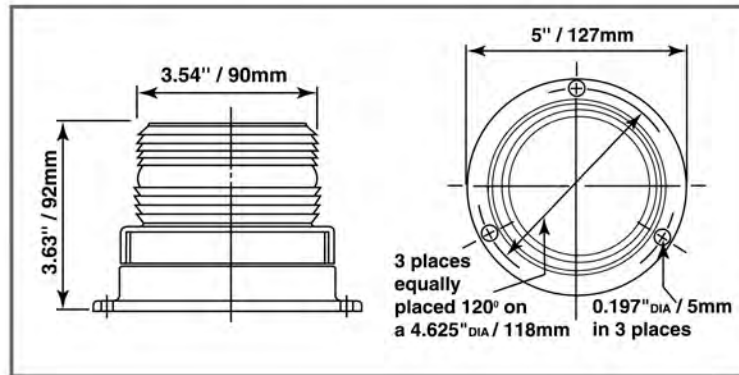
Certifications: Class II, SAE J845

Replacement Parts:

PART #	DESCRIPTION
SY360-AMB	Amber lens
SY360-BLU	Blue lens
SY360-CLR	Clear lens
SY360-GRN	Green lens
SY360-RED	Red lens
SY360070	Mounting bracket
SY360071	Mounting bracket
SY360072	Suction cup kit
SY360073	Magnetic mount kit
SY360074	1/2" Pipe base kit
SY360075	3/4" Pipe base kit
SY360077	Guard, chrome
SY360077-BLK	Guard, black



PART #	LENS	PART #	LENS
Permanent Mount			
SY363100-A	Amber	SY363100M-A	Amber
SY363100-B	Blue	SY363100M-B	Blue
SY363100-C	Clear	SY363100M-C	Clear
SY363100-G	Green	SY363100M-G	Green
SY363100-R	Red	SY363100M-R	Red



2000 SERIES

22210 (4.5 Joules)

Voltage: 120vac
 FPM: 80 Single
 Current Draw: 200A Max AC
 Polarity Protected: Diode
 Warranty: 1 Year



PART #	LENS	PART #	LENS
Low Profile, Permanent Mount			
SY22210L-A	Amber	SY22210H-A	Amber
SY22210L-B	Blue	SY22210H-B	Blue
SY22210L-C	Clear	SY22210H-C	Clear
SY22210L-G	Green	SY22210H-G	Green
SY22210L-R	Red	SY22210H-R	Red

22210 (8 Joules)

Voltage: 12-24vdc
 FPM: 80 Double
 Current Draw: 3.0A Max @ 12.8vdc / 1.5A Max @ 24.0vdc
 Output Power: 11w
 Polarity Protected: Diode
 Warranty: 2 Year
Certifications: Class II, SAE J845




PART #	LENS	PART #	LENS
Low Profile, Permanent Mount			
SY22210L-A	Amber	SY22210H-A	Amber
SY22210L-B	Blue	SY22210H-B	Blue
SY22210L-C	Clear	SY22210H-C	Clear
SY22210L-G	Green	SY22210H-G	Green
SY22210L-R	Red	SY22210H-R	Red
Low Profile, Magnetic Mount			
SY22210LM-A	Amber	SY22210HM-A	Amber
SY22210LM-B	Blue	SY22210HM-B	Blue
SY22210LM-C	Clear	SY22210HM-C	Clear



2000 SERIES (CONTINUED)


22020 (10 Joules)

Voltage: 12-24vdc 
 FPM: 80 Double
 Current Draw: 2.5A Max @ 12.8vdc
 / 1.7A Max @ 24.0vdc
 Output Power: 13.5w
 Polarity Protected: Diode
 Warranty: 2 Year
Certifications: Class II, SAE J845, CE

PART #	LENS	PART #	LENS
Low Profile, Permanent Mount		High Profile, Permanent Mount	
SY22020L-A	Amber	SY22020H-A	Amber
SY22020L-B	Blue	SY22020H-B	Blue
SY22020L-C	Clear	SY22020H-C	Clear
SY22020L-G	Green	SY22020H-G	Green
SY22020L-R	Red	SY22020H-R	Red
Low Profile, Magnetic Mount		High Profile, Magnetic Mount	
SY22020LM-A	Amber	SY22020HM-A	Amber
SY22020LM-B	Blue	SY22020HM-B	Blue
SY22020LM-C	Clear	SY22020HM-C	Clear
SY22020LM-R	Red	SY22020HM-R	Red




22009 (10 Joules)

Voltage: 12-24vdc 
 FPM: 70 Quad
 Current Draw: 2.3A Max @ 12.8vdc
 / 1.5A max @ 24.0vdc
 Output Power: 12w
 Polarity Protected: Diode
 Warranty: 2 Year
Certifications: Class II, SAE J845

PART #	LENS	PART #	LENS	PART #	LENS	PART #	LENS
Low Profile, Aluminum base, Permanent Mount		High Profile, Aluminum base, Permanent Mount		Low Profile, ABS Plastic base, Permanent Mount		High Profile, ABS Plastic base, Permanent Mount	
SY22009L-A	Amber	SY22009H-A	Amber	SY22009PL-A	Amber	SY22009PH-A	Amber
SY22009L-B	Blue	SY22009H-B	Blue	SY22009PL-B	Blue	SY22009PH-B	Blue
SY22009L-C	Clear	SY22009H-C	Clear	SY22009PL-C	Clear	SY22009PH-C	Clear
SY22009L-G	Green	SY22009H-G	Green	SY22009PL-G	Green	SY22009PH-G	Green
SY22009L-R	Red	SY22009H-R	Red	SY22009PL-R	Red	SY22009PH-R	Red
Low Profile, Aluminum base, Magnetic Mount		High Profile, Aluminum base, Magnetic Mount		Low Profile, ABS Plastic base, Magnetic Mount		High Profile, ABS Plastic base, Magnetic Mount	
SY22009LM-A	Amber	SY22009HM-A	Amber	SY22009PLM-A	Amber	SY22009PHM-A	Amber
SY22009LM-B	Blue	SY22009HM-B	Blue	SY22009PLM-B	Blue		
SY22009LM-C	Clear	SY22009HM-C	Clear	SY22009PLM-C	Clear		
SY22009LM-G	Green	SY22009HM-G	Green	SY22009PLM-G	Green		
SY22009LM-R	Red	SY22009HM-R	Red	SY22009PLM-R	Red		

22029 (15 Joules)

Voltage: 12-24vdc 
 FPM: 70 Quad
 Current Draw: 2.6A Max @ 12.8vdc
 / 1.8A Max @ 24.0vdc
 Output Power: 18w
 Polarity Protected: Diode
 Warranty: 2 Year
Certifications: Class II, SAE J845


PART #	LENS	PART #	LENS
Low Profile, Permanent Mount		High Profile, Permanent Mount	
SY22029L-A	Amber	SY22029H-A	Amber
SY22029L-B	Blue	SY22029H-B	Blue
SY22029L-C	Clear	SY22029H-C	Clear
SY22029L-G	Green	SY22029H-G	Green
SY22029L-R	Red	SY22029H-R	Red
Low Profile, Magnetic Mount		High Profile, Magnetic Mount	
SY22029LM-A	Amber	SY22029HM-A	Amber
SY22029LM-B	Blue	SY22029HM-B	Blue
SY22029LM-C	Clear	SY22029HM-C	Clear
SY22029LM-G	Green	SY22029HM-G	Green
SY22029LM-R	Red	SY22029HM-R	Red

22009 & 22029 Models:

- Stand alone strobe which can be synchronized to alternately flash with a similar second strobe
- Epoxy encapsulated to protect against excessive vibration and moisture.



22030 (13 Joules)

Voltage: 12-24vdc 
 FPM: 70 Quad
 Current Draw: 2.6A Max @ 12.8vdc
 / 1.8A Max @ 24.0vdc
 Output Power: 18w
 Polarity Protected: Diode
 Warranty: 2 Year
Certifications: Class I, SAE J845

PART #	LENS	PART #	LENS
Low Profile, Permanent Mount		High Profile, Permanent Mount	
SY22030L-A	Amber	SY22030H-A	Amber
SY22030L-B	Blue	SY22030H-B	Blue
SY22030L-C	Clear	SY22030H-C	Clear
SY22030L-G	Green	SY22030H-G	Green
SY22030L-R	Red	SY22030H-R	Red
Low Profile, Magnetic Mount		High Profile, Magnetic Mount	
SY22030LM-A	Amber	SY22030HM-A	Amber
SY22030LM-B	Blue	SY22030HM-B	Blue
SY22030LM-C	Clear	SY22030HM-C	Clear
SY22030LM-G	Green	SY22030HM-G	Green
SY22030LM-R	Red	SY22030HM-R	Red

2000 SERIES (CONTINUED)

22035 (13 (High) & 7 (Low) Joules)

Voltage: 12vdc

FPM: 70 Quad

Current Draw: 2.6A Max @ 12.8vdc

Output Power: 16w

Polarity Protected: Diode

Warranty: 2 Year

Certifications: Class I & II, SAE J845



PART # LENS

Low Profile, Permanent Mount	
SY22035L-A	Amber
SY22035L-B	Blue
SY22035L-C	Clear
SY22035L-G	Green
SY22035L-R	Red

PART # LENS

High Profile, Permanent Mount	
SY22035H-A	Amber
SY22035H-B	Blue
SY22035H-C	Clear
SY22035H-G	Green
SY22035H-R	Red

PART # LENS

High Profile Magnetic Mount	
SY22035HM-A	Amber



High Profile, Magnetic Mount



Low Profile, Permanent Mount



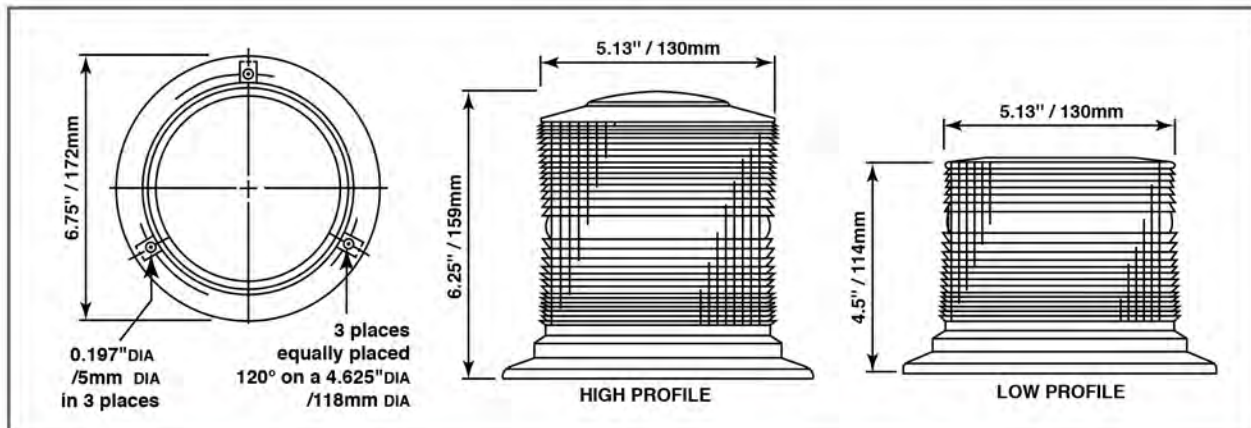
High Profile, Permanent Mount



Base features Combination 1" NPT or Permanent Mount option

Replacement Parts:

PART #	DESCRIPTION	SERIES							
		22029	22030	22035	22110	22110	22010	22020	22009
SY22010-TUBE	Flash Tube, 12-24VDC					X	X		X
SY22020-TUBE	Flash Tube, 12-24VDC	X	X	X	X			X	
SYLSK	Switch kit with light	X	X	X		X	X	X	X
SYSK	Switch kit	X	X	X		X	X	X	X
SY2200H-A	Amber lens, high profile	X	X	X	X	X	X	X	X
SY2200H-B	Blue lens, high profile	X	X	X	X	X	X	X	X
SY2200H-C	Clear lens, high profile	X	X	X	X	X	X	X	X
SY2200H-G	Green lens, high profile	X	X	X	X	X	X	X	X
SY2200H-R	Red lens, high profile	X	X	X	X	X	X	X	X
SY2200L-A	Amber lens, low profile	X	X	X	X	X	X	X	X
SY2200L-B	Blue lens, low profile	X	X	X	X	X	X	X	X
SY2200L-C	Clear lens, low profile	X	X	X	X	X	X	X	X
SY2200L-G	Green lens, low profile	X	X	X	X	X	X	X	X
SY2200L-R	Red lens, low profile	X	X	X	X	X	X	X	X
SYMMK	Magnetic mount kit with cigarette plug	X	X	X		X	X	X	X
SY360076-B	Cigarette plug kit w/ lighted straight cord & rocker switch	X	X	X				X	X
SY360082H	Guard, high profile	X	X	X	X	X	X	X	X
SY360082L	Guard, low profile	X	X	X	X	X	X	X	X
SYDCH	Dust cover, high profile	X	X	X	X	X	X	X	X



800 SERIES



SY851000-A

Specifications:

Joule Rating: 13
 Mounting Base: Aluminum, enclosed base, J-hook mounting kit & rubber gasket seal
 Mount: Permanent or magnetic
 Cord/Switch: Magnetic mount includes cord with cigarette plug & lighted on/off rocker switch
 Lens: Polycarbonate, 4 screws
 Profile: Low or high
 Flash Tube: Xenon field replaceable
 FPM: 80 ± 10 Double, 70 ± 10 Quad,
 Voltage: 12-48vdc
 Current Draw: 2.5A Max @ 12.8vdc / 0.9A Max @ 48.0vdc
 Polarity Protected: Diode
 Warranty: 2 Year

Certifications: Class I, SAE J845

PART # LENS

Low Profile, Double Flash, Permanent Mount

SY825000-A	Amber
SY825000-B	Blue
SY825000-C	Clear
SY825000-G	Green
SY825000-R	Red

High Profile, Double Flash, Permanent Mount

SY851000-A	Amber
SY851000-B	Blue
SY851000-C	Clear
SY851000-G	Green
SY851000-R	Red

Double Flash, Magnetic Mount

SY851000M-A	Amber, High profile
SY825000M-A	Amber, Low profile

Low Profile, Quad Flash, Permanent Mount

SY82500Q-A	Amber
SY82500Q-B	Blue
SY82500Q-C	Clear
SY82500Q-G	Green
SY82500Q-R	Red

High Profile, Quad Flash, Permanent Mount

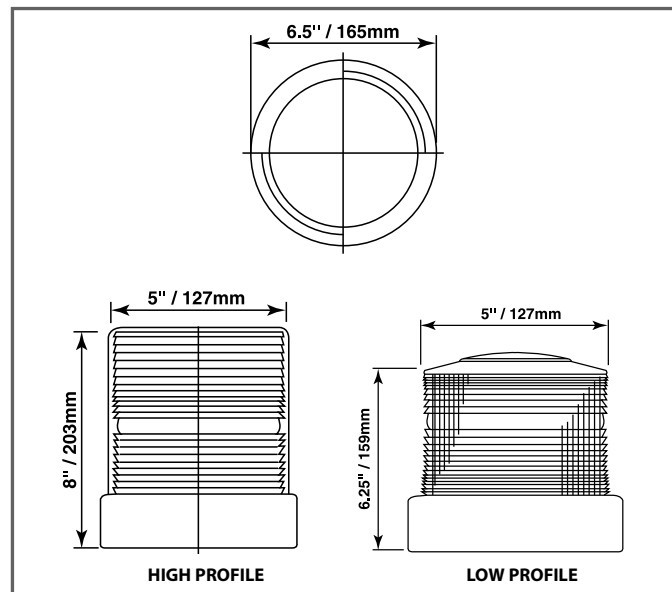
SY85100Q-A	Amber
SY85100Q-B	Blue
SY85100Q-C	Clear
SY85100Q-G	Green
SY85100Q-R	Red

Quad Flash, Magnetic Mount

SY82500QM-A	Amber, Low profile
SY85100QM-A	Amber, High profile
SY85100QM-B	Blue, High profile
SY85100QM-C	Clear, High profile
SY85100QM-R	Red, High profile

Replacement Parts:

PART #	DESCRIPTION
SY2200L-A	Amber lens, Low profile
SY2200L-B	Blue lens, Low profile
SY2200L-C	Clear lens, Low profile
SY2200L-G	Green lens, Low profile
SY2200L-R	Red lens, Low profile
SY2200H-A	Amber lens, High profile
SY2200H-B	Blue lens, High profile
SY2200H-C	Clear lens, High profile
SY2200H-G	Green lens, High profile
SY2200H-R	Red lens, High profile
SY360-8651	Flash tube (600 & 800 Series)
SY360-1600	Flash Tube (1600 Series)
SY360074	1/2" Pipe mount kit
SY360075	3/4" Pipe mount kit
SYMMK	Magnetic mount kit with cigarette plug
SYDCH	Dust cover, High profile



24 SERIES



SY367304-A



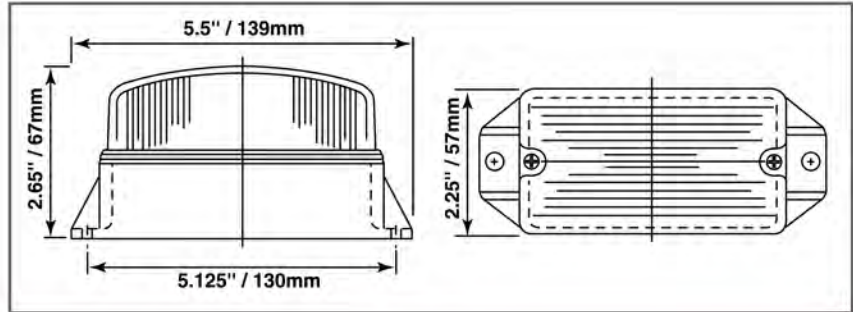
Specifications:
 Mean Candlepower: 20
 Mounting Base: Polycarbonate, 2-hole
 Mount: Permanent
 Lens: Polycarbonate
 Bulb: Incandescent field replaceable
 FPM: 65 ± 10 Single
 Voltage: 36-48VDC
 Current Draw: 2.5A Max
 Warranty: 1 Year

Replacement Parts:

PART #	DESCRIPTION
SY367-AMB	Amber lens
SY367-BLU	Blue lens
SY367-CLR	Clear lens
SY367-GRN	Green lens
SY367-RED	Red lens
SY360-4305	Bulb 36-48VDC
SY367011	Guard

PART # LENS

PART #	LENS
36-48VDC	
SY367304-A	Amber
SY367304-B	Blue
SY367304-C	Clear
SY367304-G	Green
SY367304-R	Red



220 SERIES



SY362302H-A

SY362302-A



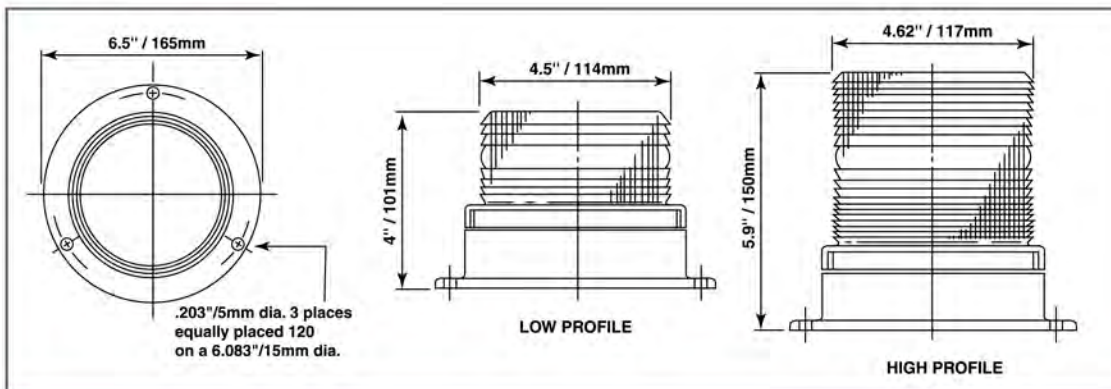
Specifications:
 Mean Candlepower: 180
 Mounting Base: Polycarbonate with 3-hole
 Mount: Permanent
 Lens: Polycarbonate screw-on
 Profile: Low or high
 Bulb: Halogen field replaceable
 FPM: 60 ± 10 Single
 Voltage: 12-24VDC
 Current Draw: 2.5A Max @ 12.8VDC
 1.7A Max @ 24.0VDC
 Warranty: 1 Year

Replacement Parts:

PART #	DESCRIPTION
SY362-AMB	Amber lens, Low profile
SY362-BLU	Blue lens, Low profile
SY362-CLR	Clear lens, Low profile
SY362-GRN	Green lens, Low profile
SY362-RED	Red lens, Low profile
SY362H-AMB	Amber lens, High profile
SY362H-BLU	Blue lens, High profile
SY362H-CLR	Clear lens, High profile
SY362H-RED	Red lens, High profile
SY362796	Bulb
SY360072	Suction cup kit
SY360073	Magnetic mount kit
SY360074	1/2" Pipe mount kit
SY360075	3/4" Pipe mount kit
SY360076	Cigarette plug kit
SY362000-P	Adapter plate for magnetic or pipe mount kits
SY362003	Mounting bracket

PART # LENS PART # LENS

Low Profile		High Profile	
SY362302-A	Amber	SY362302H-A	Amber
SY362302-B	Blue	SY362302H-B	Blue
SY362302-C	Clear	SY362302H-C	Clear
SY362302-G	Green	SY362302H-R	Red
SY362302-R	Red		



3 SERIES



SY360302-A

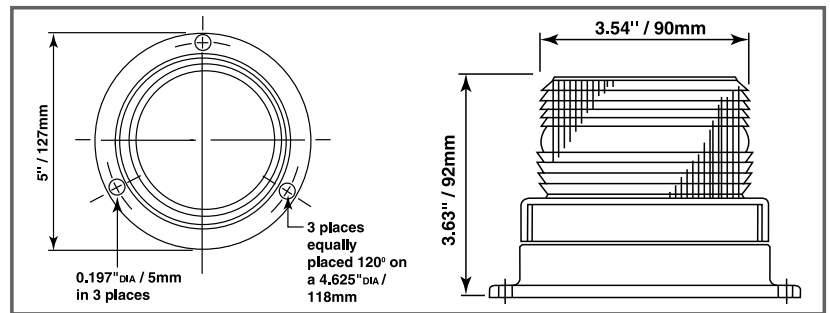
PART #	LENS
SY360304-A	Amber
SY360304-B	Blue
SY360304-C	Clear
SY360304-G	Green
SY360304-R	Red

Specifications:

Mean Candlepower: 20
 Mounting Base: ABS plastic, 3-hole, metal mounting ring & O-Ring seal
 Mount: Permanent
 Lens: Polycarbonate screw-off
 Bulb: Incandescent field replaceable
 FPM: 65 ± 10 Single
 Voltage: 12-24 or 36-48vdc
 Current Draw: 2A Max
 Warranty: 1 Year

Replacement Parts:

PART #	DESCRIPTION
SY360-AMB	Amber lens
SY360-BLU	Blue lens
SY360-CLR	Clear lens
SY360-GRN	Green lens
SY360-RED	Red lens
SY360-1156	Bulb 12-24VDC
SY360-4305	Bulb 36-48VDC
SY360070	Mounting bracket
SY360071	Mounting bracket
SY360072	Suction cup kit
SY360073	Magnetic mount kit
SY360074	1/2" Pipe base kit
SY360075	3/4" Pipe base kit
SY360076	Cigarette plug kit
SY360077	Guard, chrome
SY360077-BLK	Guard, black



4 SERIES



SY364002M-A

SY364002-A

PART #	LENS	MOUNT
12-24VDC		
SY364002-A	Amber	Permanent
SY364002-B	Blue	Permanent
SY364002-C	Clear	Permanent
SY364002-G	Green	Permanent
SY364002-R	Red	Permanent
SY364002M-A	Amber	Magnetic
SY364002M-B	Blue	Magnetic
SY364002M-C	Clear	Magnetic
SY364002M-G	Green	Magnetic
SY364002M-R	Red	Magnetic

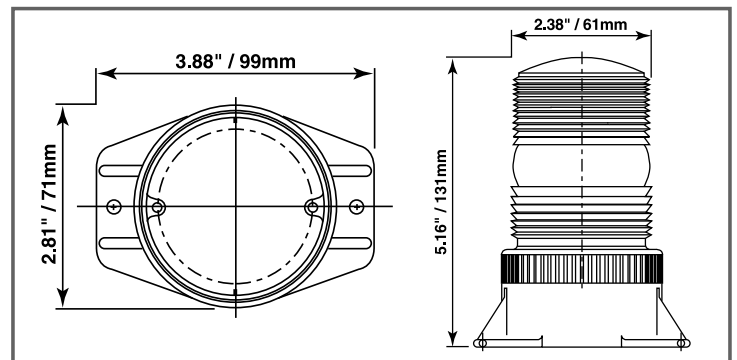
PART #	LENS	MOUNT
36-48VDC		
SY364004-A	Amber	Permanent
SY364004-B	Blue	Permanent
SY364004-C	Clear	Permanent
SY364004-G	Green	Permanent
SY364004-R	Red	Permanent
SY364004M-A	Amber	Magnetic
SY364004M-B	Blue	Magnetic
SY364004M-C	Clear	Magnetic
SY364004M-G	Green	Magnetic
SY364004M-R	Red	Magnetic

Specifications:

Mean Candlepower: 20
 Mounting Base: Nylon plastic, epoxy encapsulated, 2-hole & O-Ring seal
 Mount: Permanent or magnetic
 Cord/plug: Magnetic mount includes cord with cigarette plug
 Lens: Polycarbonate screw-on
 Bulb: Incandescent field replaceable
 FPM: 65 ± 10 Single
 Voltage: 12-24 or 36-48vdc
 Current Draw: 2A Max
 Warranty: 1 Year
Certifications: UL approved

Replacement Parts:

PART #	DESCRIPTION
SY361-AMB	Amber lens
SY361-BLU	Blue lens
SY361-CLR	Clear lens
SY361-GRN	Green lens
SY361-RED	Red lens
SY360-1156	Bulb 12-24VDC
SY360-0305	Bulb 36-48VDC
SY361009	Mounting bracket
SY361011	Guard
SY361012	Guard, heavy duty



SYDF SERIES



Specifications:

Voltage: 12-24vdc
 Mounting: Permanent and vacuum magnetic
 Lens: Polycarbonate
 Cord/Switch: Vacuum magnetic mount includes dual button cigarette plug (power/flash pattern change)
 Flash Patterns: 23
 Current Draw: 1.95A Max @ 12vdc 0.95A Max @24vdc
 Warranty: 3 Year

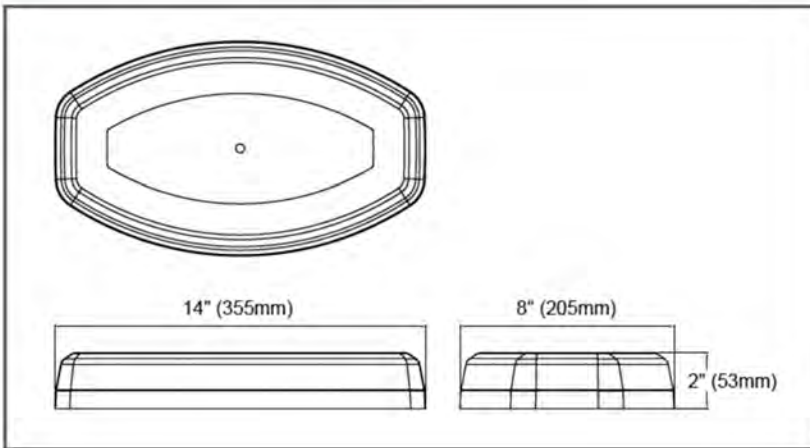
Features:

- 2-bolt mount standard (permanent mount models)
- Multiple units are synchronizable
- Built in selectable flash patterns
- Diffuser style optics
- Vacuum magnets are rubber coated

Certifications: SAE J845, Class I, ECE R10-04

PART #	LENS/LED
Permanent Mount	
SYDFP-AA	Amber / Amber
SYDFP-AC	Clear / Amber-Clear
SYDFP-A	Clear / Amber

PART #	LENS/LED
Vacuum Magnetic Mount	
SYDFM-AA	Amber / Amber
SYDFM-AC	Clear / Amber-Clear
SYDFM-A	Clear / Amber



Flash Patterns:

Random	Quint (all)
Single (split)	Mega (all)
Double (split)	Ultra (all)
Quad (split)	Single-Quad (all)
Quint (split)	Single H/L (all)
Mega (split)	Steady (half)
Ultra (split)	Steady (all)
Single-Quad (split)	Single (2Hz)
Single H/L (split)	Double (2Hz)
Double (all)	Triple (2Hz)
Quad (all)	Quad (2Hz)

SYLEDMB SERIES



SYLEDMBP-AA



SYLEDMBM-A



Flash pattern button On/off button

Specifications:

Voltage: 12vdc
 Mounting: Permanent and vacuum magnetic
 Lens: Polycarbonate
 Cord/Switch: Vacuum magnetic mount includes dual button cigarette plug (power/flash pattern change)

LEDs per head: 18 1-watt LEDs in six pods, reflector style optics

Flash Patterns: 19

Current Draw: 5.0A Max @ 12VDC

Max Power: 60w

Warranty: 5 Year

Features:

- 4-Bolt mount standard (permanent mount models)
- 2-Bolt mount optional (permanent mount models)
- Multiple units are synchronizable
- Built in selectable flash patterns
- Super wide angle optics
- Stainless steel hardware
- Vacuum magnets are rubber coated
- 2 Warning modes for quick pattern change

Certifications: SAE Class 1

Flash Patterns:

Momentarily apply + VDC to **YELLOW**:

- Once for next pattern
- Quickly 3 times for reset to FP#0

Random (all)	Double (all)
Single (split)	Quad (all)
Double (split)	Quint (all)
Quad (split)	Mega (all)
Quint (split)	Ultra (all)
Mega (split)	Single-Quad (all)
Ultra (split)	Single H/L (all)
Single-Quad (split)	Steady 2 (California)
Single H/L (split)	Steady 4 (all)
Single (all)	

NOTE: 1. Different Flash Pattern can be selected and kept in memory in Warning Mode

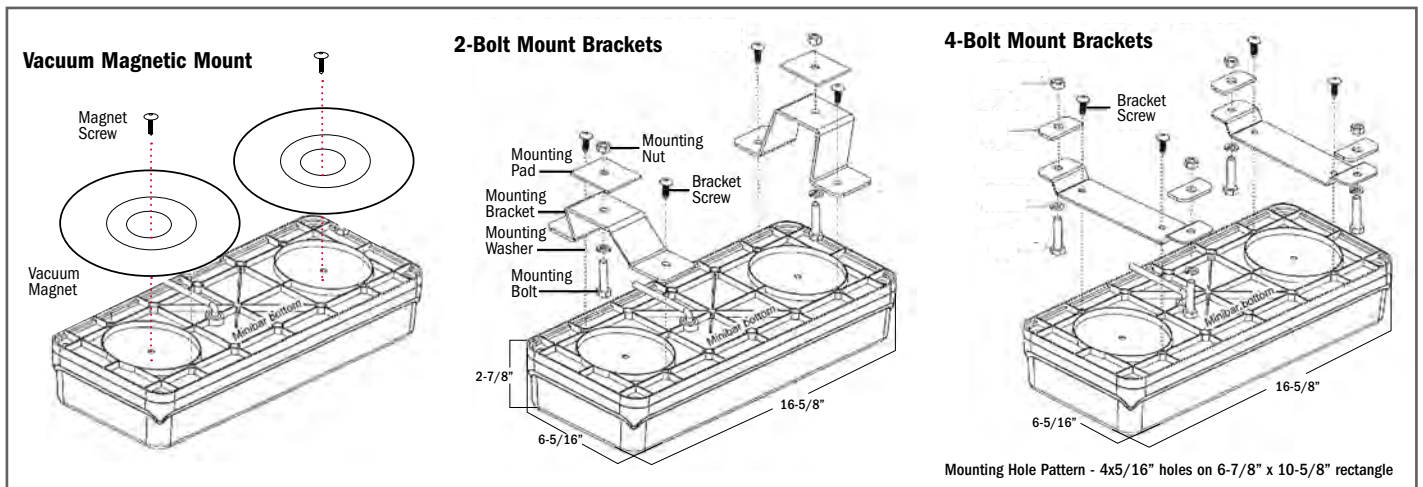
2. This unit may not be factory set at FP Random (all)

PART #	LENS/LED
Permanent Mount	
SYLEDMBP-A	Clear / Amber
SYLEDMBP-AA	Amber / Amber
SYLEDMBP-AB	Clear / Amber-Blue
SYLEDMBP-AC	Clear / Amber-Clear
SYLEDMBP-B	Clear / Blue
SYLEDMBP-R	Clear / Red
SYLEDMBP-RB	Clear / Red-Blue

PART #	LENS/LED
Vacuum Magnetic Mount	
SYLEDMBM-A	Clear / Amber
SYLEDMBM-AA	Amber / Amber
SYLEDMBM-AB	Clear / Amber-Blue
SYLEDMBM-AC	Clear / Amber-Clear
SYLEDMBM-B	Clear / Blue
SYLEDMBM-R	Clear / Red

Replacement Parts:

PART #	DESCRIPTION
SYMBB2	Brackets - 2-bolt mount
SYLEDMBLENS-A	Lens - Amber
SYLEDMBLENS-C	Lens - Clear
SYLEDMBLH-A	Module - Amber
SYLEDMBLH-B	Module - Blue
SYLEDMBLH-C	Module - Clear
SYLEDMBLH-R	Module-Red



SYLEDMB13 SERIES



Flash pattern button On/off button

Specifications:

Voltage: 12-24vdc
 Mounting: Permanent and magnetic
 Lens: Polycarbonate
 Cord/Switch: Magnetic mount includes dual button cigarette plug (power/flash pattern change)
 LEDs per head: 36 1w LEDs in six pods, diffuser style optics
 Flash Patterns: 19
 Current Draw: 3.4A Max @ 12vdc / 2.2A Max @24vdc
 Max Power: 53w
 Warranty: 5 Year

Features:

- 4-Bolt mount standard (permanent mount models)
- Multiple units are synchronizable
- Built in selectable flash patterns
- Diffuser optics
- Stainless steel hardware
- 2 Warning modes for quick pattern change

Certifications: SAE J845 Class 1, CA Title13

Flash Patterns:

Random	Quint (all)
Single (split)	Mega (all)
Double (split)	Ultra (all)
Quad (split)	Single-Quad (all)
Quint (split)	Single H/L (all)
Mega (split)	Steady (half)
Ultra (split)	Steady (all)
Single-Quad (split)	Single (2Hz)
Single H/L (split)	Double (2Hz)
Double (all)	Triple (2Hz)
Quad (all)	Quad (2Hz)

PART #	LENS/LED
Permanent Mount	
SYLEDMBP13-A	Clear / Amber
SYLEDMBP13-AA	Amber / Amber

PART #	LENS/LED
Magnetic Mount	
SYLEDMBM13-A	Clear / Amber
SYLEDMBM13-AA	Amber / Amber

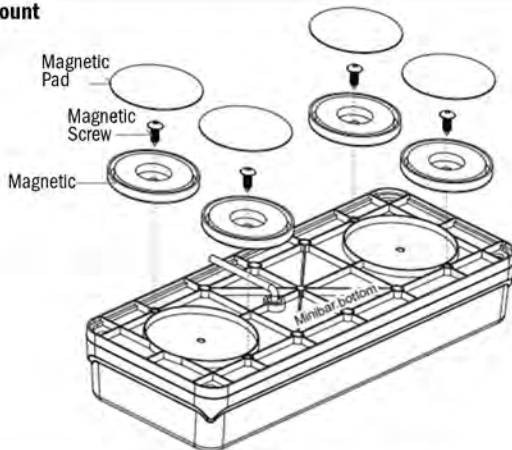
Replacement Parts:

PART #	DESCRIPTION
SYMBB2	Brackets - 2-bolt mount
SYLEDMBLENS-A	Lens - Amber
SYLEDMBLENS-C	Lens - Clear

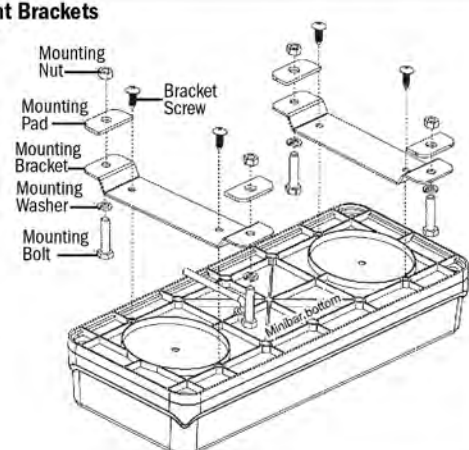


- RED:** To +VDC (fuse @ 8A)
 - BLACK:** To Chassis Ground (-)
 - WHITE:** For Warning Mode 2
 * Apply +VDC to WHITE wire to activate Warning Mode 2
 - YELLOW:** Flash patterns & Synchronization
 * Momentarily apply +VDC to YELLOW for Flash Pattern change
 * Continuously apply +VDC to YELLOW for Low Power
 * Connect YELLOW wires of all minibars together for synchronization; all units must be set at the same pattern
- WARNING:** Do not look directly into LEDs while in operation; may cause momentary blindness and/or eye damage.

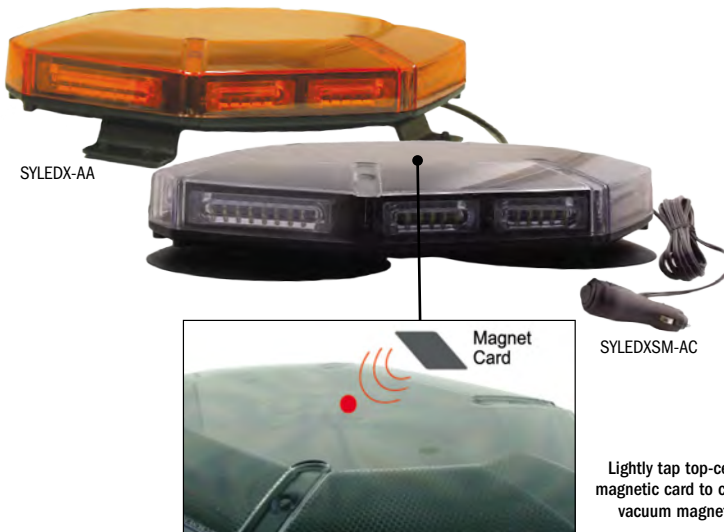
Magnetic Mount



4-Bolt Mount Brackets



SYLEDX SERIES



Specifications:

- Voltage: 12vdc
- Mounting Base: Polycarbonate
- Mount: Permanent and vacuum magnetic
- Lens: Polycarbonate
- Cord/Switch: Vacuum magnetic mount includes lighted on/off rocker switch & cord with cigarette plug and magnetic card to change flash patterns.
- LEDs per head: 40, 8 heads
- Flash Patterns: 26
- Current Draw: 4A Max @ 12vdc
- Warranty: 5 Year
- Features:
 - Simultaneous or alternating flashing
 - Super wide angle optics
- Certifications:** Class I, SAE J575, J845, E13, CE

Lightly tap top-center of mini bar with magnetic card to change flash pattern on vacuum magnetic mounted models.

PART #	LENS/LED
4-Bolt Permanent Mount	
SYLEDX-AA	Amber / Amber
SYLEDX-AC	Clear / Amber
SYLEDX-AB	Clear / Amber-Blue
SYLEDX-CC	Clear / Clear

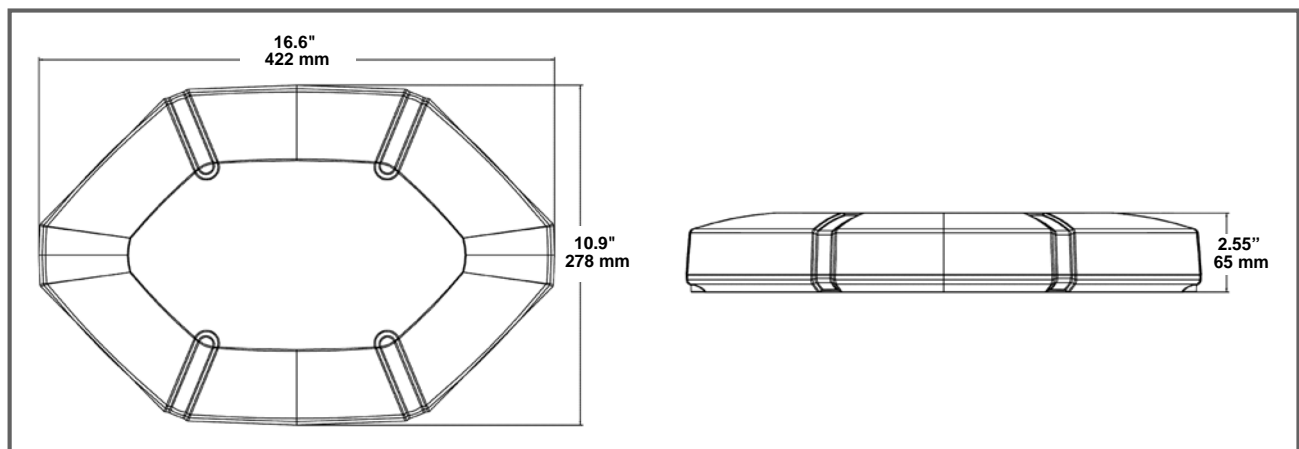
PART #	LENS/LED
Vacuum Magnetic Mount	
SYLEDXSM-AA	Amber / Amber
SYLEDXSM-AC	Clear / Amber
SYLEDXSM-CC	Clear / Clear
SYLEDXSM-AB	Clear / Amber-Blue

Replacement Parts:

PART #	DESCRIPTION
SYXVM-2	(2) Vacuum Magnetic Mounts
SYXPM-2	2-Bolt Permanent Mount
SYXPM-4	4-Bolt Permanent Mount
SYLEDX-MAGCARD	Magnetic Card (For use with vacuum magnetic mounted models.)

Flash Patterns:

Kit Scan (split)	Quint (split)	Mega (all)
Outside-In Single	Mega (split)	Ultra (all)
Outside-In Ultra	Ultra (split)	Single-Quad (all)
Side-by-Side Single	Single-Quad (split)	Single H/L (all)
Side-by-Side Ultra	Single H/L (split)	Single Cross
Random	Single (all)	Ultra Cross
Single (split)	Double (all)	Rotator1
Double (split)	Quad (all)	Rotator2
Quad (split)	Quint (all)	



9355 SERIES



SY9355-A



SY9355M-C-AA



SY9355VM-A

Specifications:

Voltage: 12-48vdc
 Mounting Base: Polycarbonate
 Mount: Permanent, magnetic and vacuum magnetic
 Lens: Polycarbonate
 Cord/Switch: Magnetic & vacuum magnetic mount includes lighted on/off rocker switch & 11' cord with cigarette plug

Lamp: LED, replaceable
 FPM: 80 Quad per beacon
 Current Draw: 1.55A Max @ 12vdc
 Warranty: 5 Year

Features:

- Diamond shaped center mirror enhances flashes
- Epoxy encapsulated beacons



Magnetic mount & vacuum magnetic mount models include lighted rocker switch.

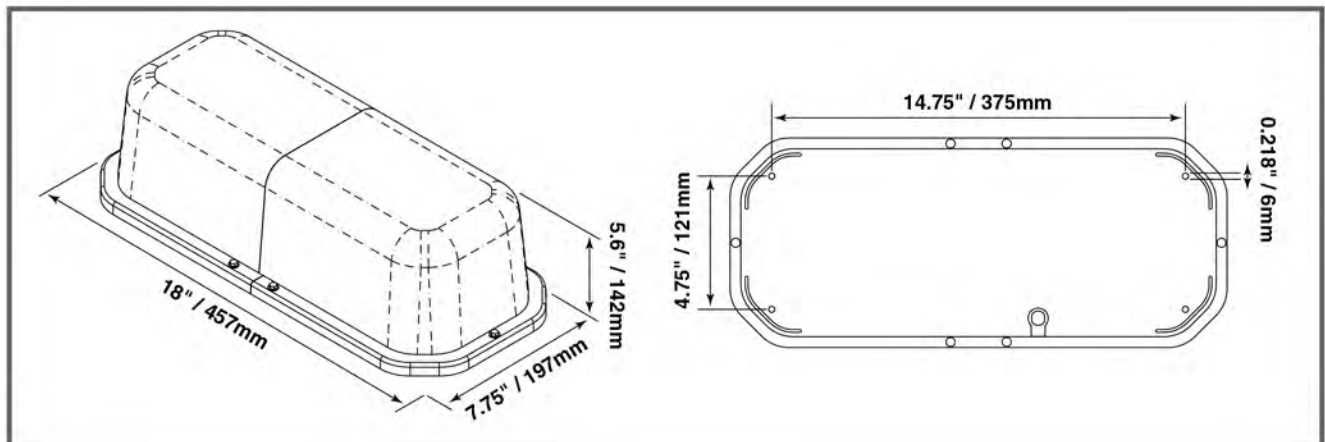


Replaceable LED Lamps

PART #	DOME	INNER LENS	LED
Permanent Mount			
SY9355-A	Amber	Amber	Amber
SY9355-C-AA	Clear	Amber	Amber
Magnetic Mount			
SY9355M-A	Amber	Amber	Amber
SY9355M-C-AA	Clear	Amber	Amber
Vacuum Magnetic Mount			
SY9355VM-A	Amber	Amber	Amber
SY9355VM-C-AA	Clear	Amber	Amber

Replacement Parts:

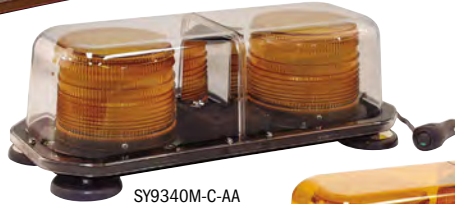
PART #	DESCRIPTION
SY22050-TWR-A	Amber LED Lamp
SY2200L-A	Amber lens
SY93401-SET-AMB	Amber dome, left & right set
SY93401-CLR	Clear dome, left
SY93402-CLR	Clear dome, right



9340 & 9345 SERIES



SY9340-A



SY9340M-C-AA



SY9345VM-A

9340 (10 Joules)

Amber Dome Models 

PART #	MOUNT	INNER LENS
SY9340-A	Permanent	Clear/Clear
SY9340M-A	Magnetic	Clear/Clear
SY9340VM-A	Vacuum Magnetic	Clear/Clear

Magnetic mount & vacuum magnetic mount models include lighted rocker switch.



Clear Dome Models     

Permanent Mount		Magnetic Mount		Vacuum Magnetic Mount	
PART #	INNER LENS	PART #	INNER LENS	PART #	INNER LENS
SY9340-C	Clear/Clear	SY9340M-C	Clear/Clear	SY9340VM-C	Clear/Clear
SY9340-C-AA	Amber/Amber	SY9340M-C-AA	Amber/Amber	SY9340VM-C-AA	Amber/Amber
SY9340-C-AC	Amber/Clear	SY9340M-C-AC	Amber/Clear	SY9340VM-C-AC	Amber/Clear
SY9340-C-AB	Amber/Blue	SY9340M-C-AB	Amber/Blue	SY9340VM-C-AB	Amber/Blue
SY9340-C-BB	Blue/Blue	SY9340M-C-BB	Blue/Blue	SY9340VM-C-BB	Blue/Blue

9345 (15 Joules)

Amber Dome Models 

PART #	MOUNT	INNER LENS
SY9345-A	Permanent	Clear/Clear
SY9345M-A	Magnetic	Clear/Clear
SY9345VM-A	Vacuum Magnetic	Clear/Clear

Clear Dome Models  

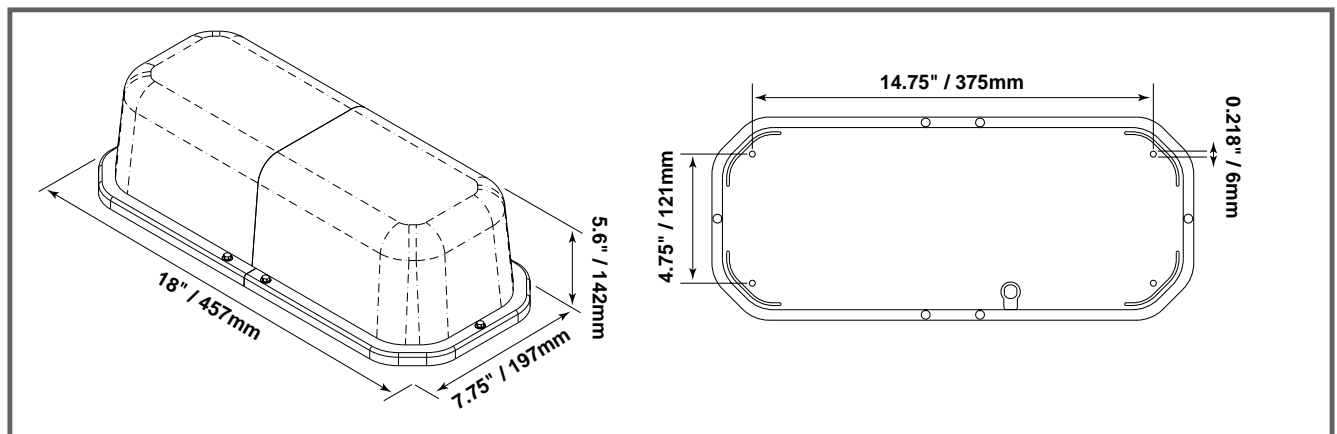
Permanent Mount		Magnetic Mount		Vacuum Magnetic Mount	
PART #	INNER LENS	PART #	INNER LENS	PART #	INNER LENS
SY9345-C-AA	Amber/Amber	SY9345M-C-AA	Amber/Amber	SY9345VM-C-AA	Amber/Amber
SY9345-C-AC	Amber/Clear	SY9345M-C-AC	Amber/Clear		

Specifications:

- Joule Rating: 10 (9340) or 15 (9345) per strobe
- Mounting Base: Polycarbonate, foam gasket
- Mount: Permanent, magnetic and vacuum magnetic
- Lens: Polycarbonate
- Cord/Switch: Magnetic & vacuum magnetic mount includes lighted on/off rocker switch & 11' cord with cigarette plug
- Flash Tube: Xenon, replaceable
- FPM: 70 ± 10 per Strobe
- Voltage: 12-24VDC
- Current Draw:
 - 4.6A Max @ 12.8VDC / 3.0A Max @ 24.0VDC (9340)
 - 5.2A Max @ 12.8VDC / 3.6A Max @ 24.0VDC (9345)
- Warranty: 2 Year
- Features:
 - Alternating or independent flash pattern
 - Epoxy encapsulated beacons
 - Diamond shaped center mirror enhances flashes
- Certifications: SAE J1318

Replacement Parts:

PART #	DESCRIPTION
SY22010-TUBE	Flash tube (9340)
SY22020-TUBE	Flash tube (9345)
SY93401-SET-AMB	Amber dome, left & right set
SY93401-CLR	Clear dome, left
SY93402-CLR	Clear dome, right
SY22009PL-A	Amber light assembly (Clear Dome Models Only)
SY22009PL-B	Blue light assembly (Clear Dome Models Only)
SY22009PL-C	Clear light assembly (Amber and Clear Dome Models)
SY2200L-A	Amber lens, Low profile (Clear Dome Models Only)
SY2200L-B	Blue lens, Low profile (Clear Dome Models Only)
SY2200L-C	Clear lens, Low profile (Amber and Clear Dome Models)



Mini Bars - Strobe

9390 SERIES



Specifications:

Joule Rating: 10 per strobe
 Mounting Base: Aluminum, foam gasket
 Mount: Permanent
 Lens: Polycarbonate
 Flash Tube: Xenon, replaceable
 FPM: 70 ± 10 per strobe
 Voltage: 12-24vdc
 Current Draw: 4.6A Max @ 12.8vdc / 3.0A Max @ 24.0vdc
 Warranty: 2 Year

Features:

- Diamond shaped center mirror enhances flashes
- Epoxy encapsulated beacons
- Two strobes are pre-wired to alternate flash the flashing sequence can be changed

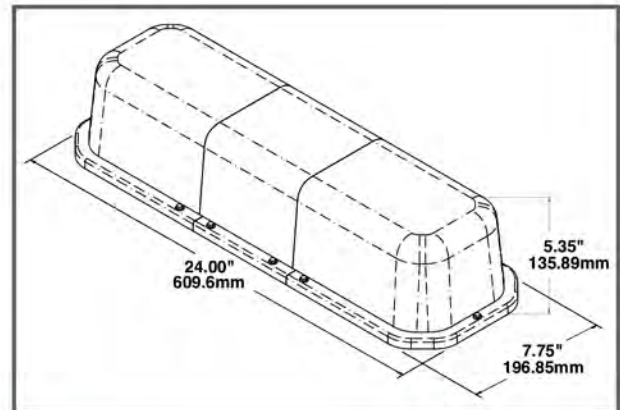
Certifications: SAE J845



PART #	MOUNT	DOMES / INNER LENS
SY9390-A	Permanent	Amber / (2) Clear
SY9390-C-AA	Permanent	Clear / (2) Amber

Replacement Parts:

PART #	DESCRIPTION
SY22010-TUBE	Flash tube
SY93401-SET-AMB	Amber dome, left & right set
SY93800-AMB	Amber dome, center
SY2200L-A	Amber lens
SY93401-CLR	Clear dome, left
SY93402-CLR	Clear dome, right
SY93800-CLR	Clear dome, center
SY2200L-C	Clear lens
SY22009PL-C	Clear light assembly (For Amber Dome Model)
SY22009PL-A	Amber light assembly (For Clear Dome Model)



9395 SERIES



Specifications:

Joule Rating: 10 per strobe
 Mounting Base: Aluminum, foam gasket
 Mount: Permanent
 Lens: Polycarbonate
 Flash Tube: Xenon, replaceable
 FPM: 70 ± 10 per strobe
 Voltage: 12-24vdc
 Current Draw: 6.9A Max @ 12.8vdc / 4.5A Max @ 24.0vdc
 Warranty: 2 Year

Features:

- Two mirrors enhance flashes
- Epoxy encapsulated beacons
- Two side strobes are pre-wired to alternate flash while the central strobe flashes randomly the flashing sequence can be changed

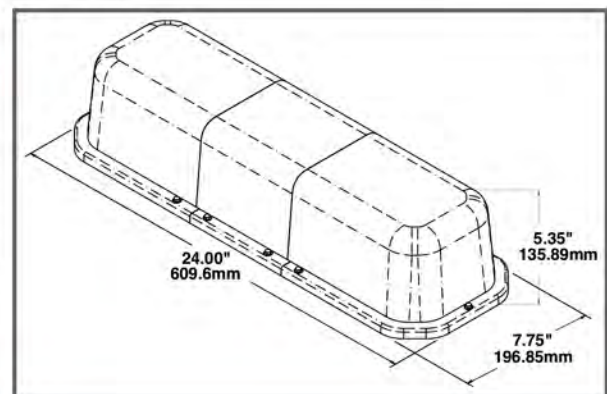
Certifications: SAE J845



PART #	MOUNT	DOMES / INNER LENS
SY9395-A	Permanent	Amber / (3) Clear
SY9395-C-AAA	Permanent	Clear / (3) Amber

Replacement Parts:

PART #	DESCRIPTION
SY22010-TUBE	Flash tube
SY93401-SET-AMB	Amber dome, left & right set
SY93800-AMB	Amber dome, center
SY2200L-A	Amber lens
SY93401-CLR	Clear dome, left
SY93402-CLR	Clear dome, right
SY93800-CLR	Clear dome, center
SY2200L-C	Clear lens
SY22009PL-C	Clear light assembly (For Amber Dome Model)
SY22009PL-A	Amber light assembly (For Clear Dome Model)



9360 SERIES



SY9360-A



SY9360M-C-BA



SY9360VM-A

Specifications:

- Voltage: 12vdc
- Mounting Base: Polycarbonate, foam gasket
- Mount: Permanent, magnetic and vacuum magnetic
- Lens: Polycarbonate
- Cord/Switch: Magnetic & vacuum magnetic mount includes lighted on/off rocker switch & 11' cord with cigarette plug
- Lamp: Halogen
- FPM: 90 ± 10 per rotator
- Current Draw: 9A Max @ 12.8vdc
- Warranty: 2 Year
- Features: Diamond shaped center mirror enhances flashes

Certifications: SAE J845

Amber Dome Models

PART #	MOUNT
SY9360-A	Permanent
SY9360M-A	Magnetic
SY9360VM-A	Vacuum Magnetic

Clear Dome / Filtered Models

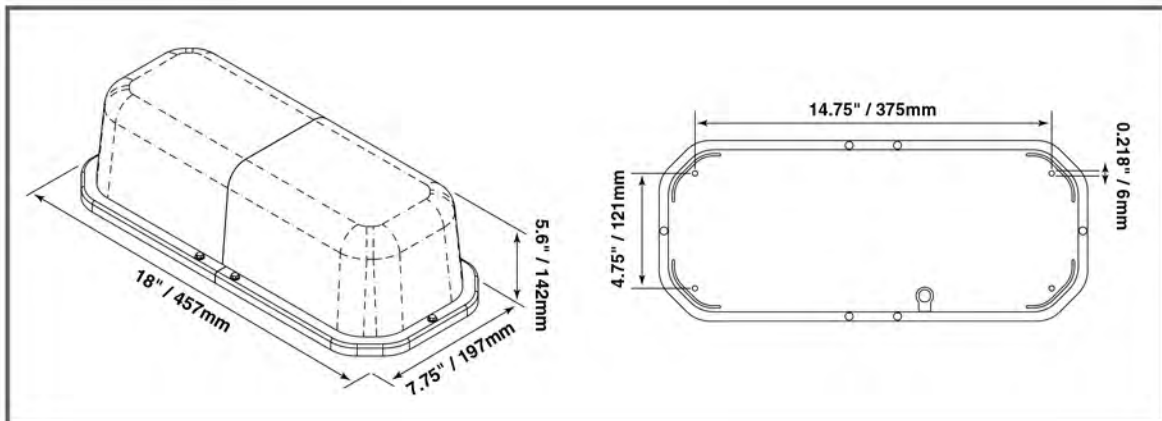
PART #	FILTERS
Magnetic Mount	
SY9360M-C-BA	Blue/Amber
SY9360M-C-RA	Red/Amber
SY9360M-C-RB	Red/Blue
SY9360M-C-RC	Red/Clear
SY9360M-C-RR	Red/Red





PART #	FILTERS
Vacuum Magnetic Mount	
SY9360VM-C-AA	Amber/Amber

Replacement Parts:

PART #	DESCRIPTION
SY93601	Rotator assembly
SY12258	Lamp
SY93401-SET-AMB	Amber dome, left & right set
SY93401-CLR	Clear dome, left
SY93402-CLR	Clear dome, right



LED MODULES

Part #	Voltage	# of LEDs	Flash Patterns	Current Draw	Mount	Size	Warranty	Certifications	Colors
SYLED03 	12-24vdc	3	12	0.35A	Flange or rubber grommet	3.80"L x 1.60"H x 1.30"D	5 Year	SAE J1318, E13, CE, CA Title 13	
SYLED04 	12-24vdc	4	19	0.40A	Flange or rubber grommet	4.80"L x 1.60"H x 1.30"D	5 Year	SAE J1318, E13, CA Title 13	
SYSE4 	12-24vdc	4	19	0.56A @ 12.8vdc / 0.28A @ 25.6vdc	Flange, 2-hole	6.00"L x 1.70"H x 0.90"D	5 Year	SAE, CE, CA Title 13	
SYMS6 	12-24vdc	6	19	0.44A @ 12.8vdc / 0.22A @ 24.0vdc	Surface mount, 2-hole	5.00 "L x 1.10 "H x 0.68 "D	5 Year	SAE, CA Title 13, E13	
SYFLAT3 	12-24vdc	3	19	0.50A @ 12.0vdc / 0.25A @ 24.0vdc	Surface mount, 2-hole	3.38"L x 1.10"H x 0.35"D	5 Year	SAE, CA Title 13, E13	
SYFLAT6 	12-24vdc	6	19	0.50A @ 12.0vdc / 0.25A @ 24.0vdc	Surface mount, 2-hole	4.40"L x 1.10"H x 0.35"D	5 Year	SAE, CA Title 13, E13	
SYFLAT12 	12-24vdc	12	25	0.078A @ 12.0vdc / 0.34A @ 24.0vdc	Surface mount, 2-hole	4.50"L x 1.71"H x 0.35"D	5 Year	SAE Class I, CA Title 13 (Amber Only) ECE R10	
SYLEDX06 	12vdc	6	19	0.70A	Surface mount, 2-hole	5.98"L x 2.33"H x 1.23"D	5 Year	SAE J575, J845, CA Title 13	
SYLEDX09 	12vdc	9	19	1.05A	Surface mount, 2-hole	5.98"L x 2.33"H x 1.23"D	5 Year	SAE J575, J845, CA Title 13	

A = Amber, B = Blue, C = Clear, R = Red, AA = Amber/Amber, AB = Amber/Blue, AC = Amber/Clear, BB = Blue/Blue, CC = Clear/Clear, RR = Red/ Red, RB = Red/Blue

LED MODULES (CONTINUED)

Part #	Voltage	# of LEDs	Flash Patterns	Current Draw	Mount	Size	Warranty	Certifications	Colors
SYSQ4 	12-24vdc	4	19	0.55A@ 12.0vdc/ 0.26A @24.0vdc	Pedestal or Grill Mount	3.30" _L x 2.80" _H x 1.10" _D	5 Year	SAE, CA Title 13 E13	
SY4460 	12vdc	40	16	0.50A Max	Surface	1.96" _H x 3.83" _W x 0.34" _D	2 Year		
SY4465 	12vdc	18	16	0.50A Max	Surface	1.48" _H x 5.08" _W x 0.34" _D	2 Year		
SY4470 	12vdc	56	15	0.80A Max	Surface	3.16" _H x 5.03" _W x 0.34" _D	2 Year		
SY4480 	12vdc	56	15	0.80A Max	Surface	2.25" _H x 6.44" _W x 0.82" _D	2 Year		
SYTE2-0524-A SYTE2-0524-R  SYTE2-0524-A Shown	4AA BATTERIES	18	2	Battery Run Time: Minimum 24 hours co	Magnetic	4.00" _H x 6.50" _W x 4.00" _D	1 Year		
	4AA BATTERIES	18	2	Battery Run Time: Minimum 24 hours co	Magnetic	4.00" _H x 6.50" _W x 4.00" _D	1 Year		

A = Amber, B = Blue, C = Clear, R = Red

SYLED03 & SYLED04



SYLED03

PART #	LED
12vdc	
SYLED03-A	Amber
SYLED03-B	Blue
SYLED03-C	Clear
SYLED03-R	Red

SYLED04

PART #	LED
12vdc	
SYLED04-AA	Amber
SYLED04-AC	Amber/Clear
SYLED04-AB	Amber/Blue
SYLED04-BB	Blue
SYLED04-CC	Clear
SYLED04-RR	Red
SYLED04-BC	Blue/Clear
SYLED04-RC	Red/Clear
SYLED04-RB	Red/Blue

Specifications:

Voltage: 12-24vdc
 Mount: Flange or rubber grommet
 Power Supply: Epoxy encapsulated
 Lens: Polycarbonate, 2 screws
 LEDs per head: 3 (SYLED03), 4 (SYLED04)
 Current Draw: 0.35A (SYLED03) or 0.70A (SYLED04) Max
 Power Output: 3w (SYLED03), 4w (SYLED04)
 Flash Patterns: 12 (SYLED03), 19 (SYLED04)
 Warranty: 5 Year

Features:

- Multi-module synchronization
- Simultaneous or alternate flashing
- Built in selectable flash patterns
- Interior and exterior use

Certifications:

SAE J845, E13,CE,
 CA Title 13 (Amber, Blue, & Red only)

Flash Patterns: (SYLED03)

Steady	Quad
Random	Quint
Single	8 Flash
Mega	Single-Quad
Double	Single H/L
Triple	Single-Triple-Quint

Flash Patterns: (SYLED04)

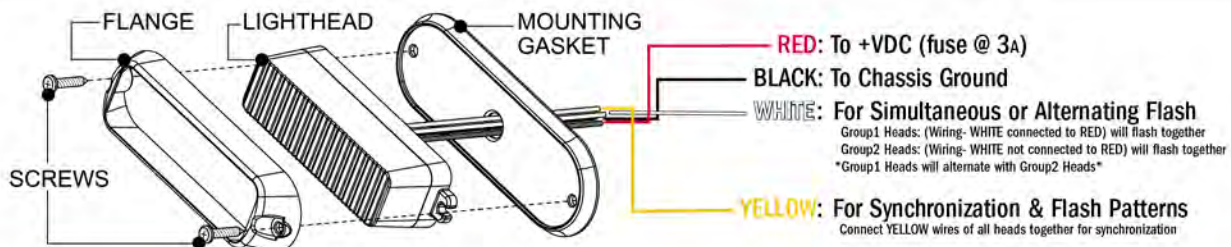
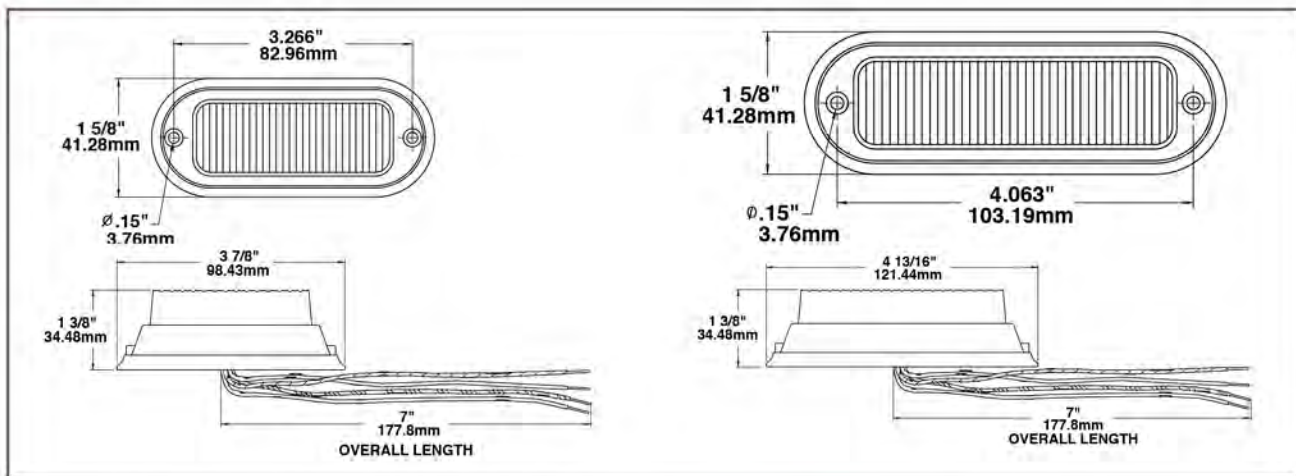
Random (default)	Double (all)
Single (split)	Quad (all)
Double (split)	Quint (all)
Quad (split)	Mega (all)
Quint (split)	Ultra (all)
Mega (split)	Single-Quad (all)
Ultra (split)	Single H/L (all)
Single-Quad (split)	Steady 2 (California)
Single H/L (split)	Steady 4 (all)
Single (all)	

Replacement Parts:

PART #	DESCRIPTION
SYMB03-S	Single unit aluminum mounting L-Bracket (SYLED03)
SYMB04-S	Single unit aluminum mounting L-Bracket (SYLED04)
SYLED03-GROMMET	Rubber grommet for surface mounting (SYLED03)
SYLED04-GROMMET	Rubber grommet for surface mounting (SYLED04)

*SPLIT=Head1 alternate Head2

*ALL=all LEDs on



SYLED04-MAX



SYLED04-MAX-C



PART #	LED
SYLED04TD-MAX-A	Amber
SYLED04TD-MAX-B	Blue
SYLED04TD-MAX-C	Clear
SYLED04TD-MAX-R	Red
SSYLED04TD-MAX-AC	Amber/Clear
SYLED04TD-MAX-BB	Blue
SYLED04TD-MAX-RB	Red/Blue

Flash Patterns:

Random (default)	Double (all)
Single (split)	Quad (all)
Double (split)	Quint (all)
Quad (split)	Mega (all)
Quint (split)	Ultra (all)
Mega (split)	Single-Quad (all)
Ultra (split)	Single H/L (all)
Single-Quad (split)	Steady 2 (California)
Single H/L (split)	Steady 4 (all)
Single (all)	

Specifications:

Voltage: 12VDC
 Mount: Suction cup for deck, dash
 Cord: Includes cord with cigarette plug
 Power Supply: Epoxy encapsulated
 Lens: Polycarbonate
 LEDs per head: 4
 Current Draw: 0.7A Max
 Power Output: 4w
 Flash Patterns: 19
 Warranty: 5 Year

Features:

- Multi deck light synchronization
- Simultaneous or alternate flashing
- Built in selectable flash patterns
- Interior use

*SPLIT=Head1 alternate Head2

*ALL=all LEDs on

SYSE4 SERIES



SYSE4-A



PART #	LED
SYSE4-A	Amber
SYSE4-B	Blue
SYSE4-C	Clear
SYSE4-R	Red

Specifications:

Voltage: 12-24VDC
 Mount: Flange, 2-hole
 Lens: Polycarbonate
 LEDs per Head: 4
 Current Draw: 0.56A Max @ 12.8VDC
 / 0.28A Max @ 25.6VDC

Power Output: 9w
 Flash Patterns: 19
 Warranty: 5 Year

Features:

- Multi-module synchronization
- Simultaneous or alternate flashing
- Built-in selectable flash patterns
- Non-volatile memory recalls last flash pattern used at power up
- LEDs rated to 100,000 hours of operation
- Reverse polarity protection
- Weatherproof & vibration resistant design
- Interior and exterior use

Certifications: SAE, CE,

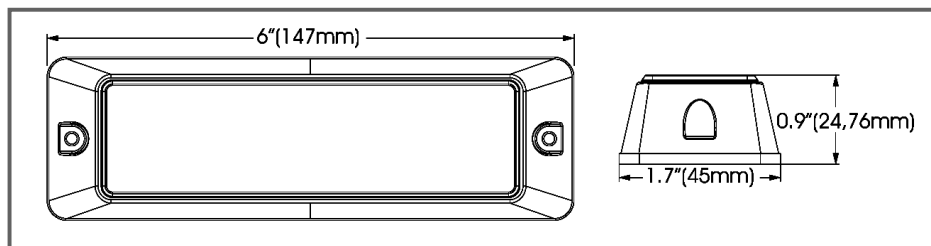
CA Title 13 (Amber, Blue, & Red only)

Flash Patterns:

Random	Double (all)
Single (split)	Quad (all)
Double (split)	Quint (all)
Quad (split)	Mega (all)
Quint (split)	Ultra (all)
Mega (split)	Single-Quad (all)
Ultra (split)	Single H/L (all)
Single-Quad (split)	Steady 2 (California)
Single H/L (split)	Steady 4 (all)
Single (all)	

*SPLIT=Head1 alternate Head2

*ALL=all LEDs on



To +VDC (fuse @ 3A)

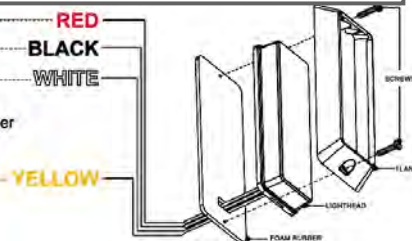
To Chassis Ground

For Simultaneous or Alternating Flash

Group1 Heads: (Wiring- WHITE connected to RED) will flash together
 Group2 Heads: (Wiring- WHITE not connected to RED) will flash together
 Group1 Heads will alternate with Group2 Heads

For Synchronization & Flash Patterns

Connect YELLOW wires of all heads together for synchronization
 *All heads must be set at the same pattern



SYMS SERIES



SYMS6-A



SYMS6HM-C



PART #	LED	PART #	LED
Surface Mount			
SYMS6-A	Amber		
SYMS6-AC	Amber/Clear		
SYMS6-B	Blue		
SYMS6-C	Clear		
SYMS6-R	Red		
SYMS6-AB	Amber/Blue		
SYMS6-RB	Red/Blue		
Hood Mount			
SYMS6HM-A	Amber		
SYMS6HM-AC	Amber/Clear		
SYMS6HM-B	Blue		
SYMS6HM-C	Clear		
SYMS6HM-R	Red		
SYMS6HM-RB	Red/Blue		

Specifications:

Voltage: 12-24vdc
 Mount: Surface or hood mount models
 Lens: Polycarbonate
 LEDs per head: 6
 Current Draw: 0.40A @ 12.8vdc / 0.22A @ 24.0vdc
 (varies with flash pattern)

Power Output: 5.5w (varies with flash pattern)

Flash Patterns: 19

Warranty: 5 Year

Features:

- Super low profile for discreet mounting
- Multi-module synchronization
- Simultaneous or alternate flashing
- Built-in selectable flash patterns
- Non-volatile memory recalls last flash pattern used at power up
- LEDs rated to 100,000 hours of operation
- Reverse polarity protection
- Weatherproof & vibration resistant design for external or internal use
- Aluminum base for heat dissipation
- Optional mounting brackets included (Hood mount models only)
- Up/down angle adjustable (hood mount models only)

Certifications: SAE, CA Title 13, E13

Flash Patterns:

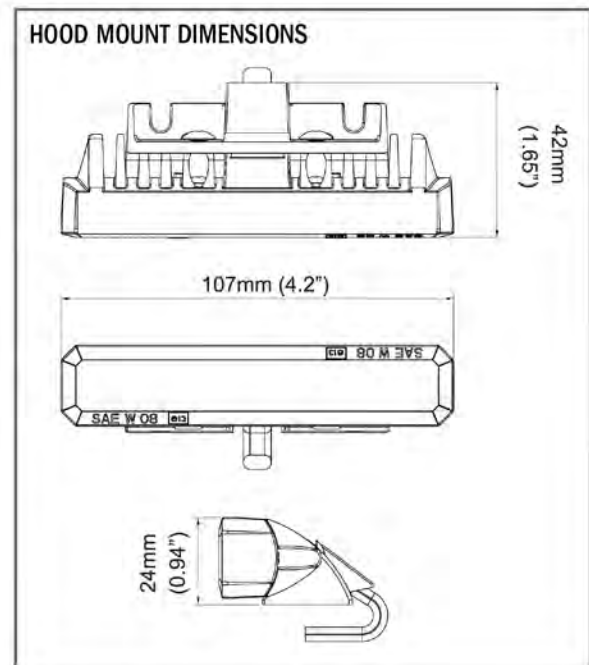
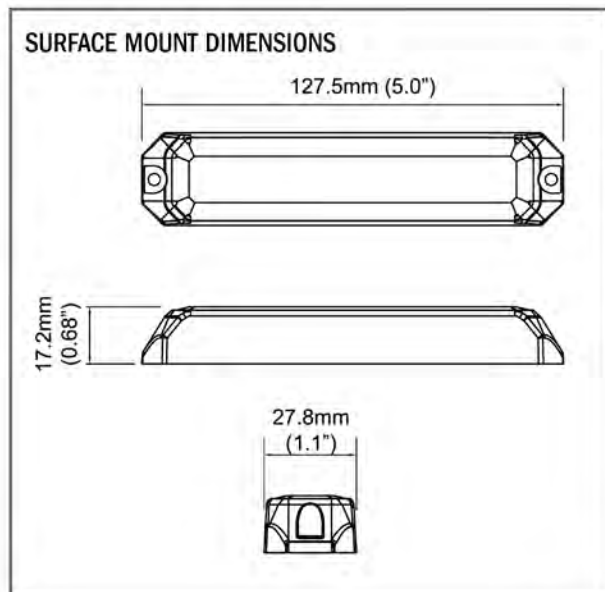
Random	Double (all)
Single (split)	Quad (all)
Double (split)	Quint (all)
Quad (split)	Mega (all)
Quint (split)	Ultra (all)
Mega (split)	Single-Quad (all)
Ultra (split)	Single H/L (all)
Single-Quad (split)	Steady 2 (California)
Single H/L (split)	Steady 4 (all)
Single (all)	

*SPLIT=Head1 alternate Head2

*ALL=all LEDs on

Replacement Parts:

PART #	DESCRIPTION
SYMS6-DS	L Bracket, dual stack
SYMS6-LB	L Bracket



MOUNTING OPTIONS



SYFLAT3 SERIES



SYFLAT3-A



PART #	LED
SYFLAT3-A	Amber
SYFLAT3-B	Blue
SYFLAT3-C	Clear
SYFLAT3-G	Green
SYFLAT3-R	Red

Replacement Parts:

PART #	DESCRIPTION
SYFLAT3-BZ	Chrome bezel
SYFLAT3-FL	Black flange
SYFLAT3-LB	L-bracket - single
SYFLAT3-MB	L-bracket - dual

Flash Patterns:

Random	Quad
Steady	Quint
Single	8 Flash
Mega	Single-quad
Double	Single H/L
Triple	Single-triple-quad

*SPLIT=Head1 alternate Head2

*ALL=all LEDs on

Specifications:

Voltage: 12-24VDC

Mount: Surface

Lens: Polycarbonate

LEDs per Head: 3

Current Draw: 0.24A @ 12VDC / 0.12A @ 24.0VDC (varies with flash pattern)

Power Output: 2.9w (varies with flash pattern)

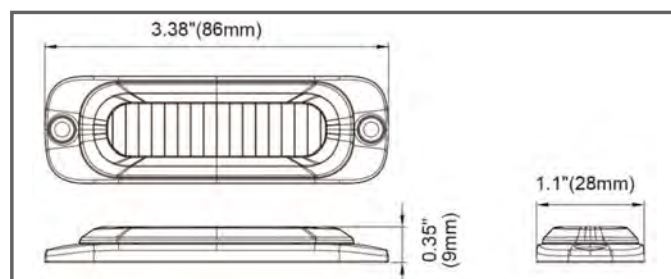
Flash Patterns: 12

Warranty: 5 Year

Features:

- Super low profile for discreet mounting
- Multi-unit synchronization: Over 15 Units
- Simultaneous or alternate flashing
- Built-in selectable flash patterns
- Non-volatile memory recalls last flash pattern used at power up
- LEDs rated to 100,000 hours of operation
- Reverse polarity protection
- Weatherproof & vibration resistant design for external or internal use
- Aluminum base for heat dissipation

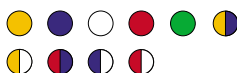
Certifications: SAE Class I, CA Title 13



SYFLAT6 SERIES



SYFLAT6-A



PART #	LED
SYFLAT6-A	Amber
SYFLAT6-B	Blue
SYFLAT6-C	Clear
SYFLAT6-G	Green
SYFLAT6-R	Red
SYFLAT6-AB	Amber/Blue
SYFLAT6-AC	Amber/Clear
SYFLAT6-RB	Red/Blue
SYFLAT6-BC	Blue/Clear
SYFLAT6-RC	Red/Clear

Replacement Parts:

PART #	DESCRIPTION
SYFLAT6-BZ	Chrome bezel
SYFLAT6-DS	L-Bracket - dual
SYFLAT6-FL	Black flange
SYFLAT6-LB	L-bracket - single
SYFLAT6-SBS	L-bracket - dual side by side
SYFLAT6-W	White bezel

Flash Patterns:

Random (default)	Double (all)
Single (split)	Quad (all)
Double (split)	Quint (all)
Quad (split)	Mega (all)
Quint (split)	Ultra (all)
Mega (split)	Single-Quad (all)
Ultra (split)	Single H/L (all)
Single-Quad (split)	Steady 2 (Half)
Single H/L (split)	Steady 4 (all)
Single (all)	

*SPLIT=Head1 alternate Head2

*ALL=all LEDs on

Specifications:

Voltage: 12-24VDC

Mount: Surface

Lens: Polycarbonate

LEDs per Head: 6

Current Draw: 0.50A @ 12VDC / 0.25A @ 24.0VDC (varies with flash pattern)

Power Output: 10w (varies with flash pattern)

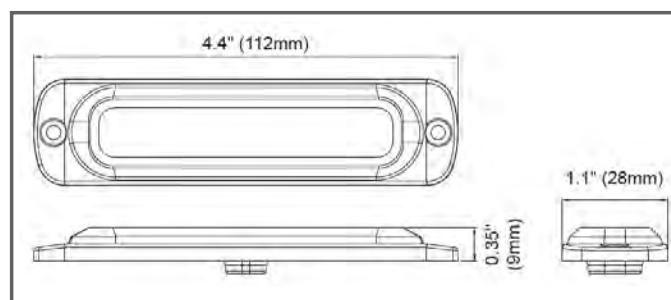
Flash Patterns: 19

Warranty: 5 Year

Features:

- Super low profile for discreet mounting
- Multi-module synchronization
- Simultaneous or alternate flashing
- Built-in selectable flash patterns
- Non-volatile memory recalls last flash pattern used at power up
- LEDs rated to 100,000 hours of operation
- Reverse polarity protection
- Weatherproof & vibration resistant design for external or internal use
- Aluminum base for heat dissipation

Certifications: SAE J595 Class I, ECE R10-04, CA Title 13



SYFLAT12 SERIES



SYFLAT12-AB



PART #	LED
SYFLAT12-A	Amber
SYFLAT12-B	Blue
SYFLAT12-C	Clear
SYFLAT12-R	Red
SYFLAT12-AB	Amber/Blue
SYFLAT12-AC	Amber/Clear
SYFLAT12-RB	Red/Blue
SYFLAT12-BC	Blue/Clear
SYFLAT12-RC	Red/Clear

Replacement Parts:

PART #	DESCRIPTION
SYFLAT12-LB	L-bracket

Flash Patterns:

Single	Single (all)
Double	Double (all)
Triple	Quad (all)
Quad	Quint (all)
Random (default)	Mega (all)
Single (split)	Ultra (all)
Double (split)	Single-Quad (all)
Quad (split)	Single H/L (all)
Quint (split)	Steady (Half)
Mega (split)	Steady (all)
Ultra (split)	Rotate Slow
Single-Quad (split)	Rotate Fast
Single H/L (split)	

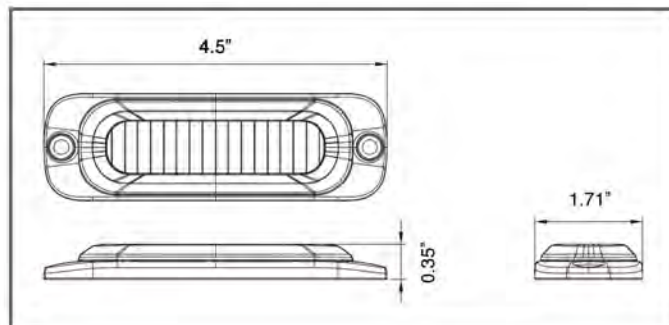
*SPLIT=Head1 alternate Head2
*ALL=all LEDs on

Specifications:

Voltage: 12-24vdc
Mount: Surface
Lens: Polycarbonate
LEDs per Head: 12
Current Draw: 0.078A @ 12vdc / 0.34A @ 24.0vdc
Power Output: 10w (varies with flash pattern)
Flash Patterns: 25
Warranty: 5 Year
Features:

- Super low profile for discreet mounting
- Multi-module synchronization
- Simultaneous or alternate flashing
- Built-in selectable flash patterns
- Non-volatile memory recalls last flash pattern used at power up
- LEDs rated to 100,000 hours of operation
- Reverse polarity protection
- Weatherproof & vibration resistant design for external or internal use
- Aluminum base for heat dissipation

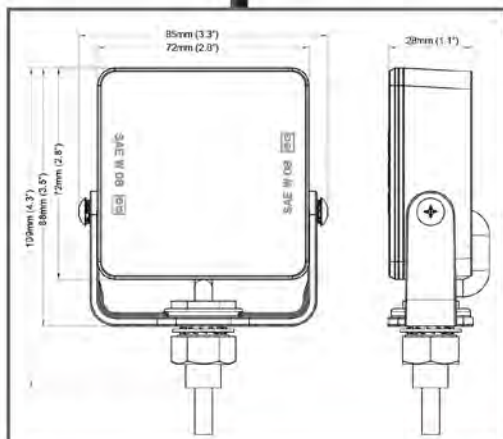
Certifications: SAE J595 Class I, ECE R10-04, CA Title 13



SYSQ4 SERIES



PART #	LED
SYSQ4-A	Amber
SYSQ4-B	Blue
SYSQ4-C	Clear
SYSQ4-R	Red



Specifications:

Voltage: 12-24vdc
Mount: Surface
Lens: Polycarbonate
LEDs per Head: 4
Current Draw: 0.55A @ 12vdc / 0.26A @ 24.0vdc (varies with flash pattern)
Power Output: 7w (varies with flash pattern)
Flash Patterns: 19
Warranty: 5 Year
Features:

- Multi-module synchronization
- Simultaneous or alternate flashing
- Built-in selectable flash patterns
- Non-volatile memory recalls last flash pattern used at power up
- LEDs rated to 100,000 hours of operation
- Reverse polarity protection
- Weatherproof & vibration resistant design for external or internal use
- Aluminum base for heat dissipation

Certifications: SAE, CA Title 13 (Amber, Blue, & Red only)

Accessories:

PART #	DESCRIPTION
SYSQ4-MB	Grill Mount L-Bracket

SYLEDX06 & SYLEDX09 SERIES



SYLEDX06-A

SYLEDX09-A

SYLEDX06



PART #	LED
SYLEDX06-A	Amber
SYLEDX06-B	Blue
SYLEDX06-C	Clear
SYLEDX06-R	Red

SYLEDX09



PART #	LED
SYLEDX09-A	Amber
SYLEDX09-B	Blue
SYLEDX09-C	Clear
SYLEDX09-R	Red
SYLEDX09-RB	Red/Blue

REPLACEMENT PARTS

PART #	DESCRIPTION
SYMBX-SA	Adjustable bracket, aluminum
SYMBX-SB	L-bracket, aluminum

Specifications:

Voltage: 12VDC
 Base: Aluminum
 Mount: Surface mount, 2-hole
 Power Supply: Epoxy encapsulated
 Lens: Polycarbonate
 LEDs per Head: 6 (SYLEDX06)
 9 (SYLEDX09)
 Current Draw: 0.70A (SYLEDX06)
 1.05A (SYLEDX09)
 Power Output: 6w (SYLEDX06)
 9w (SYLEDX09)

Flash Patterns: 19

Warranty: 5 Year

Features:

- Multi-module synchronization
- Simultaneous or alternate flashing
- Interior and exterior use

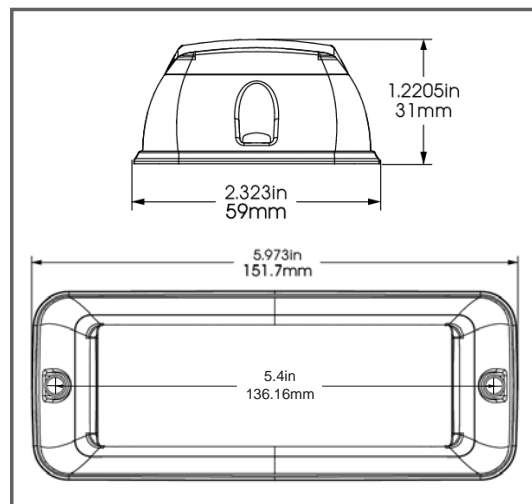
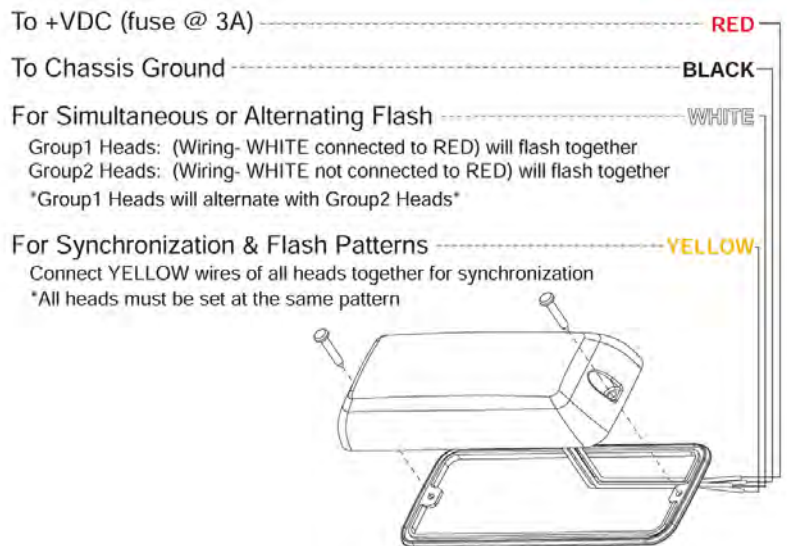
Certifications: SAE J575, J845,
 CA Title 13

Flash Patterns:

Random	Double (all)
Single (split)	Quad (all)
Double (split)	Quint (all)
Quad (split)	Mega (all)
Quint (split)	Ultra (all)
Mega (split)	Single-Quad (all)
Ultra (split)	Single H/L (all)
Single-Quad (split)	Steady 2 (California)
Single H/L (split)	Steady 4 (all)
Single (all)	

*SPLIT=Head1 alternate Head2

*ALL=all LEDs on



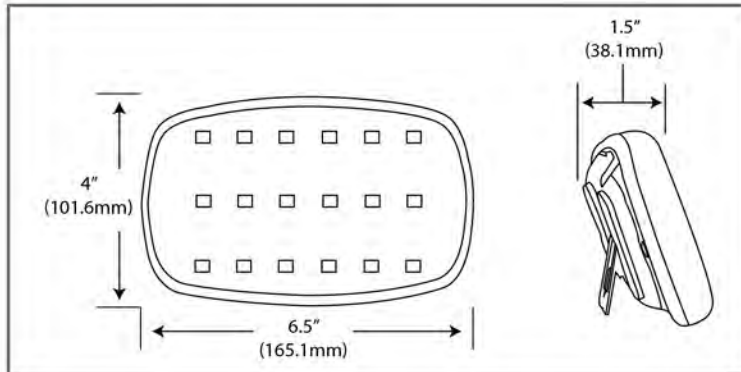
PORTABLE SERIES



SYTE2-0524-A

Specifications:

- LEDs per Head: 18
- Mount: Magnetic backing
- Voltage: 4AA Batteries (not included)
- Battery Run Time: Minimum 24 hours continuous
- Flash Patterns: 2
 - Steady on
 - Flash
- Warranty: 1 Year
- Features:
 - Slide out stanchion
 - Weather resistant



PART #	LED
SYTE2-0524-A	Amber
SYTE2-0524-R	Red

SY4460 & SY4465 Series



SY4460-A



SY4465-A

Specifications:

- Voltage: 12vdc
- LEDs per Head: 18
- Current Draw: 0.5A Max
- Size: 3.80"L x 1.90"H x 0.35"D (SY4460)
- 5.08"L x 1.48"H x 0.34"D (SY4465)
- Flash Patterns: 16
- Warranty: 2 Year
- Features:
 - Self-contained, no power supply required
 - Single wire for pattern selection and synchronization
 - Waterproof

Flash Patterns:

Quad Flash	Single Flash
Double Flash	Mega Flash
Triple Flash	Triple+Burst
DeciBlast	Steady On

Cycle Patterns:

Cycle All	Single-Quad
Double-Triple+Burst	DeciBlast-Quad
Cycle Classic	Single-Triple-DeciBlast
Quad-Mega	Mega-Triple+Burst

*SPLIT=Head1 alternate Head2

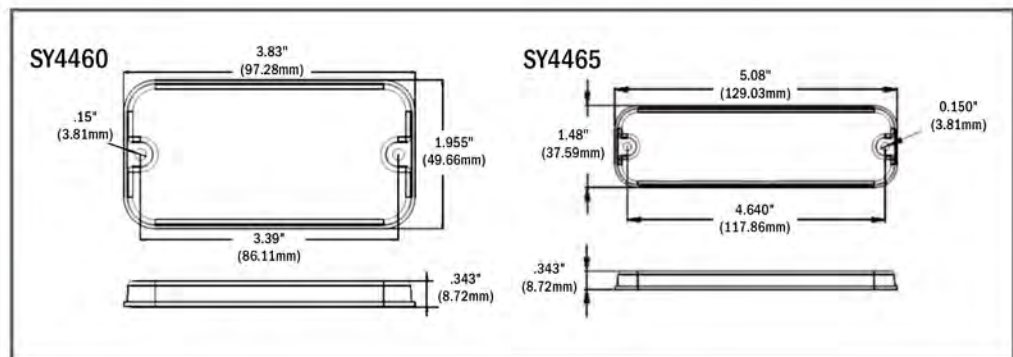
*ALL=all LEDs on



PART #	LED
SY4460-A	Amber
SY4460-C	Clear
SY4460-R	Red
SY4465-A	Amber
SY4465-C	Clear
SY4465-R	Red

Accessories:

PART #	DESCRIPTION
SY4460-BZ	Bezel - black for SY4460
SY4465-BZ	Bezel - black for SY4465



SY4470 & SY4480 SERIES



SY4470-A



PART #	LED
SY4470-A	Amber
SY4470-B	Blue
SY4470-C	Clear
SY4470-R	Red

Specifications:

Voltage: 12VDC
 LEDs per Head: 56
 Current Draw: 0.8A Max
 Size: 5.00"L x 3.20"H x 0.35"D (SY4470)
 4.25"L x 3.06"H x 0.35"D (SY4475)
 6.40"L x 2.25"H x 0.35"D (SY4480)
 Flash Patterns: 15
 Warranty: 2 Year

Features:

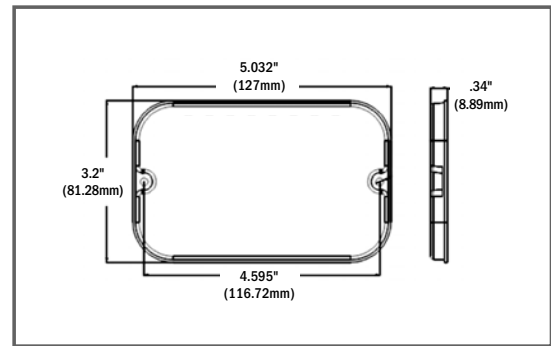
- Self-contained, no power supply required
- 3 Wire for pattern selection and synchronization
- Waterproof

Flash Patterns:

Steady on	Quad Flash
Random	Mega Flash
Double flash - Split	Phased Mega
Quad flash - Split	Deciblast
Mega flash - Split	Flasher - Split
Phased mega - Split	Flasher Sequence 1 - Split
Deciblast - Split	Flasher Sequence 2 - Split
Double Flash	

*SPLIT=Head1 alternate Head2

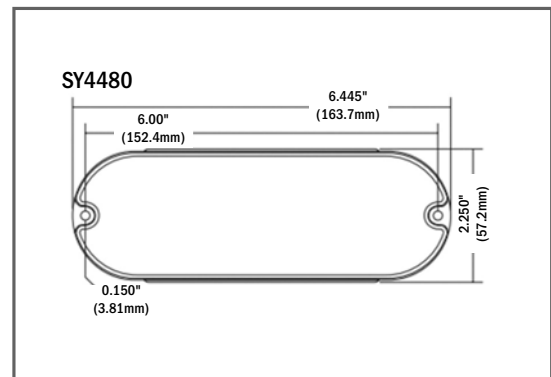
*ALL=all LEDs on



SY4480-A



PART #	LED
SY4480-A	Amber
SY4480-R	Red



1" ROUND LED



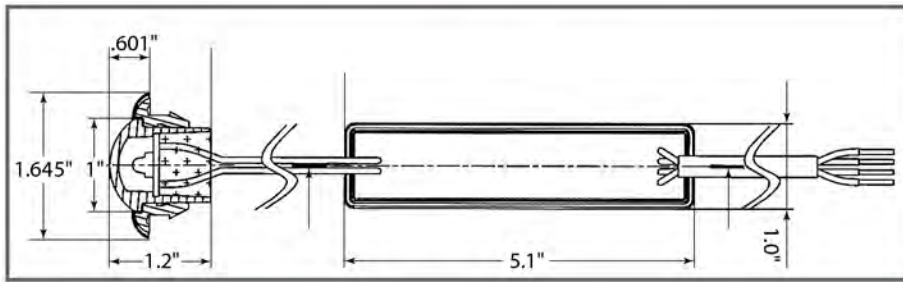
PART #	LENS	LED
SY1RLED-A	Amber	Amber
SY1RLED-R	Red	Red
SY1RLED-C-A	Clear	Amber
SY1RLED-C-B	Clear	Blue
SY1RLED-C-C	Clear	Clear
SY1RLED-C-R	Clear	Red

Specifications:

Voltage: 12vdc
 LEDs: 1
 Diameter: 1"
 Lens & Housing: Polycarbonate
 Mounting: 1-1/8" Hole
 Flash Patterns: 11 Selectable
 Current Draw: 0.021A

Features:

- Synchronized alternating flash
- Low profile design
- Completely resin sealed electronics
- Control module included
- Stainless steel bezel included
- Black vinyl grommet included
- Warranty: 5 year



4400 SERIES WARNING FLASHERS



Specifications:

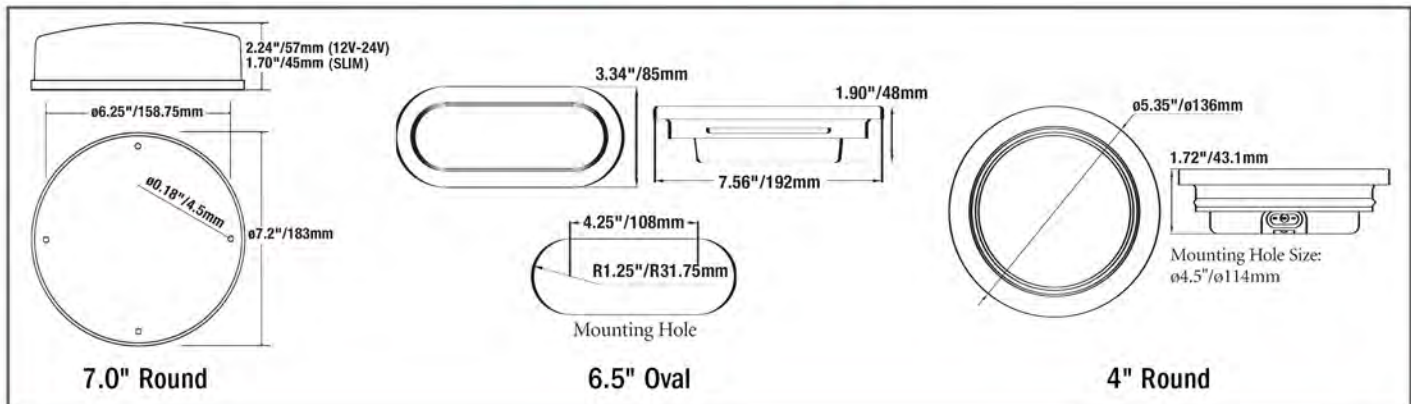
Voltage: 12-24vdc
 Mount: Grommet, rubber housing & flange
 Power Supply: Encapsulated
 LEDs per Head: 19
 Size: 4.0" Round, 6.5" Oval
 FPM: 75 ± 10 Quint
 Current Draw: 0.8A avg
 Warning Modes: Random or alternating flash patterns
 Warranty: 5 Year
 Certifications: SAE J1318 & J845



PART #	LENS
6.5" Oval Grommet Mount	
SY4405-A	Amber
SY4405-B	Blue
SY4405-C	Clear
SY4405-R	Red
6.5" Oval Flange Mount	
SY4405FL-A	Amber
SY4405FL-B	Blue
SY4405FL-C	Clear

PART #	LENS
4.0" Round Grommet Mount	
SY4415-A	Amber
SY4415-B	Blue
SY4415-C	Clear
SY4415-R	Red
4.0" Round Flange Mount	
SY4415FL-A	Amber
SY4415FL-C	Clear
SY4415FL-R	Red

PART #	LENS
Par 36, Rubber Housing	
SY4425-A	Amber
SY4425-B	Blue
SY4425-R	Red



DOT STOP, TAIL, TURN



SY1407A



PART #	LED
4.0" Round Kit (Light, Grommet, Harness)	
SY1407RK	Red stop
SY1407CK	Clear tail
SY1407AK	Amber turn
6.5" Oval Kit (Light, Grommet, Harness)	
SY1607RK	Red stop
SY1607CK	Clear tail
SY1607AK	Amber turn

Specifications:

Voltage: 12Vdc
 LEDs: 7
 Lens: Acrylic
 Housing: ABS
 Mount: Rubber grommet
 LEDs per Head: 7
 Connector: AMP with tri-pole adapter
 Warranty: 3 Year
Certifications: SAE

Replacement Parts:

PART #	DESCRIPTION
SY1407R	4.0" Round red light
SY1407C	4.0" Round clear light
SY1407A	4.0" Round amber light
SY1607R	6.5" Oval red light
SY1607C	6.5" Oval clear light
SY1607A	6.5" Oval amber light
SY400GROMMET	Rubber 4.0" round light grommet
SY650GROMMET	Rubber 6.5" oval light grommet
SY4650-3ATP	Wire harness, amp to tri-pole



DOT CLEARANCE MARKERS



SY200AK



PART #	LED
0.75" Clearance Marker (Grommet & Pigtail)	
SY075R	Red
SY075C	Clear
SY075A	Amber
2.00" Clearance Marker Kit (Light, Grommet, Harness)	
SY200RK	Red
SY200AK	Amber
2.50" Clearance Marker Kit (Light, Grommet, Harness)	
SY250RK	Red
SY250AK	Amber

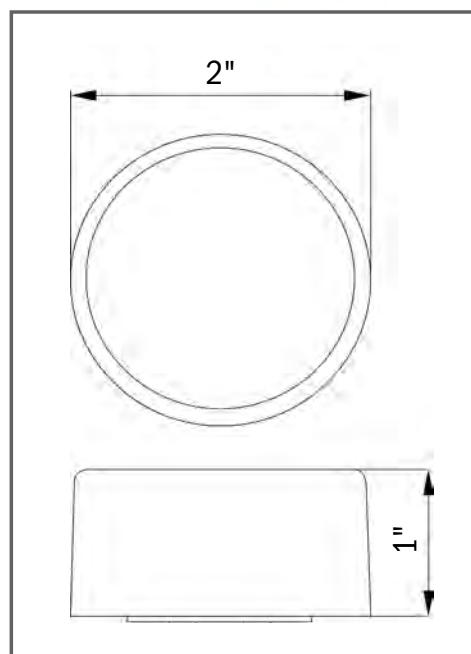
Specifications:

Voltage: 12Vdc
 LED's: 1 on 0.75" - 3 on 2.00" - 4 on 2.50"
 Body: Polycarbonate
 Mount: Rubber grommet
 Connector: 2 Wire pigtail
 Warranty: 3 Years
Certifications: SAE



Replacement Parts:

PART #	DESCRIPTION
SY200R	2.0" Red clearance marker
SY200A	2.0" Amber clearance marker
SY250R	2.5" Red clearance marker
SY250A	2.5" Amber clearance marker
SY200GROMMET	Rubber 2.0" round grommet
SY250GROMMET	Rubber 2.5" round grommet
SY2250-WH	2 Wire pigtail for 2.0" & 2.5" clearance markers



SY019 LED SERIES

LED STOP, TAIL, & TURN



PART #	DESCRIPTION
--------	-------------

4.0" Round	
SY019-01-305	12vdc, Red
6.5" Oval	
SY019-03-305	12vdc, Red

Specifications:

Voltage: 12vdc
 Mount: Rubber grommet
 LEDs per Head: 19
 Connector: Weatherproof
Certifications: FMVSS108, DOT & SAE J1398, J585e, J396, J2040, J2261

LED TURN



PART #	DESCRIPTION
--------	-------------

4.0" Round	
SY019-01-105	12vdc, Amber
6.5" Oval	
SY019-03-105	12vdc, Amber

Specifications:

Voltage: 12vdc
 Mount: Rubber grommet
 LEDs per Head: 19
 Connector: Weatherproof
Certifications: FMVSS108, DOT & SAE J1398, J585e, J396, J2040, J2261

LED BACK-UP

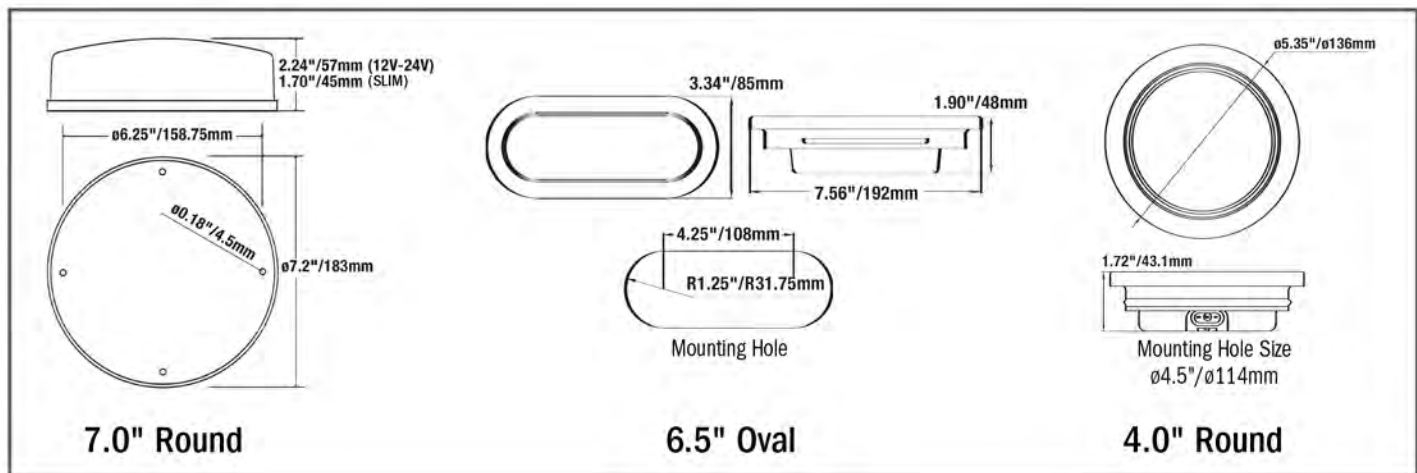


PART #	DESCRIPTION
--------	-------------

4.0" Round	
SY019-01-595	12-24vdc, 4.0" round, Clear
6.5" Oval	
SY019-03-595	12-24vdc, 6.5" oval, Clear

Specifications:

Voltage: 12-24vdc
 Mount: Rubber grommet
 LEDs per Head: 19
 Connector: Weatherproof
Certifications: FMVSS108, DOT & SAE J1398, J585e, J396, J2040, J2261



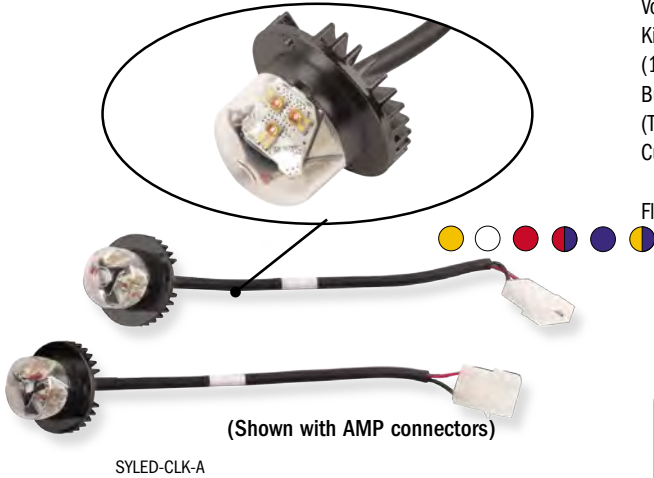
SYLED SERIES - INTERNAL MOUNT

Specifications:

Voltage: 12-24Vdc
 Kit includes: (2) LED lighthead, (1) 6' extension cable, (1) flasher & cable
 Bulb: 3w LED x 9 per head
 (Total 18 LEDs) - 360° Visibility
 Current Draw: 2.40A Max @ 12.8Vdc / 1.23A Max @ 24.0Vdc
 Flash Patterns: 19

Features:

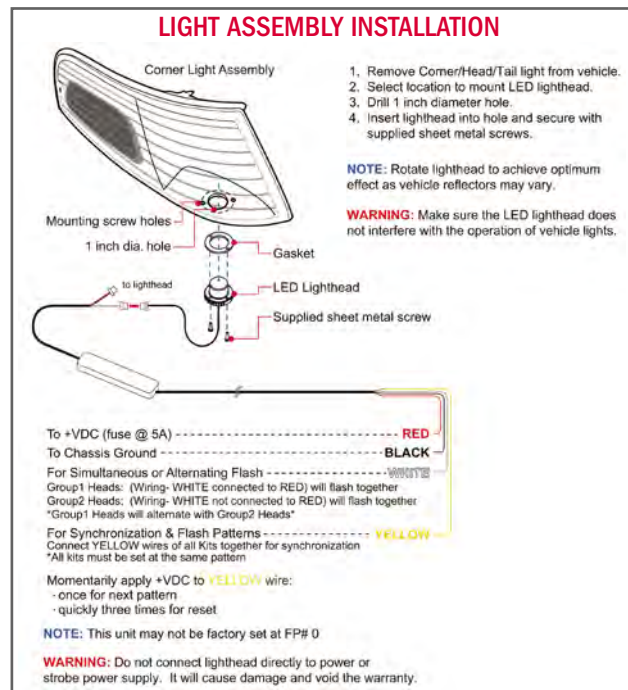
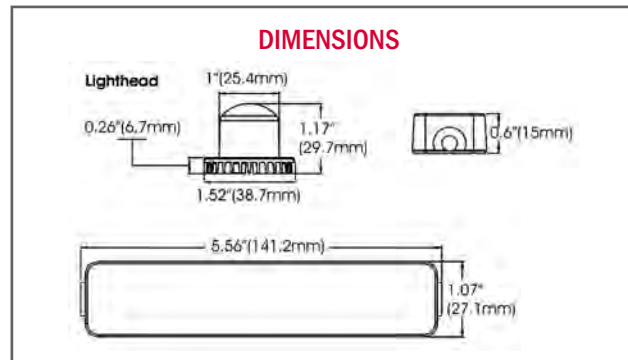
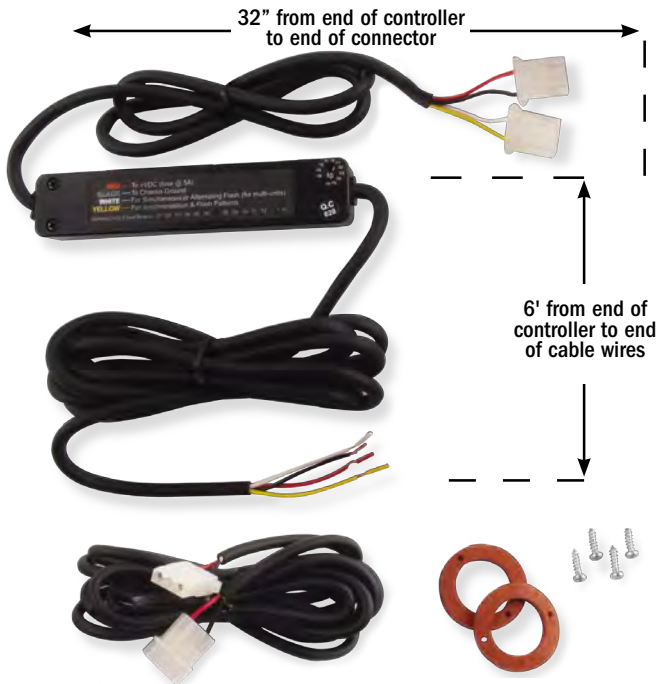
- Multi-module synchronization
 - Simultaneous or alternate flashing
 - Built-in selectable flash patterns
 - Non-volatile memory recalls last flash pattern used at power up
 - Reverse polarity protection
 - LEDs rated to 100,000 hours of operation
 - Weatherproof & vibration resistant design
- Warranty: 5 Year
 Certifications: CA Title 13, IPX6



PART #	LED	CONNECTOR
SYLED-CLK-A	Amber	Amp
SYLED-CLK-B	Blue	Amp
SYLED-CLK-C	Clear	Amp
SYLED-CLK-R	Red	Amp
SYLED-CLK-RB	Red/Blue	Amp
SYLED-CLK-AB	Amber/Blue	Amp
SYLED-CLK-A-WC	Amber	Deutsch
SYLED-CLK-C-WC	Clear	Deutsch

Replacement Parts:

PART #	DESCRIPTION
SYLED-HEAD-A	Lighthead, Amber, AMP Connectors
SYLED-HEAD-C	Lighthead, Clear, AMP Connectors
SYLED-HEAD-R	Lighthead, Red, AMP Connectors
SYLED-CBL-6	Cable, 6'L Extension, AMP Connectors
SYLED-FLSHR	Flasher, AMP Connectors
SYLED-EFLANGE-B	Flange Kit - Black
SYLED-EFLANGE-W	Flange Kit - White



Flash Patterns:

Random	Double (all)
Single (split)	Quad (all)
Double (split)	Quint (all)
Quad (split)	Mega (all)
Quint (split)	Ultra (all)
Mega (split)	Single-Quad (all)
Ultra (split)	Single H/L (all)
Single-Quad (split)	Steady 2 (CA)
Single H/L (split)	Steady 4 (all)
Single (all)	

*SPLIT=Head1 alternate Head2
 *ALL=Head 1&2 Simultaneous

SYLED-E SERIES - FLUSH MOUNT



SYLED-ECLKB-A



Specifications:

Voltage: 12vdc
 Kit Includes: (2) LED lighthoods, (1) 6' extension cable, (1) flasher & cable, (2) flanges
 Bulb: 3w LED x 6 per head (total 12 LEDs) - 180° visibility
 Current Draw: 1.8A Max
 Flash Patterns: 19

Features:

- Warranty: 5 Years
- Black flange for vehicle surface mount
 - Multi-module synchronization
 - Simultaneous or alternate flashing
 - Built-in selectable flash patterns
 - Reverse polarity protection
 - LEDs rated to 100,000 hours of operation
 - Weatherproof & vibration resistant design

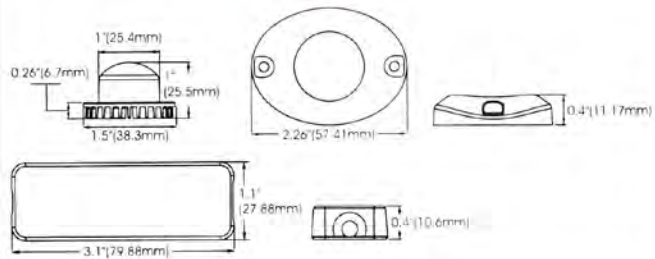
PART #	LED
SYLED-ECLKB-A	Amber
SYLED-ECLKB-C	Clear

Replacement Parts:

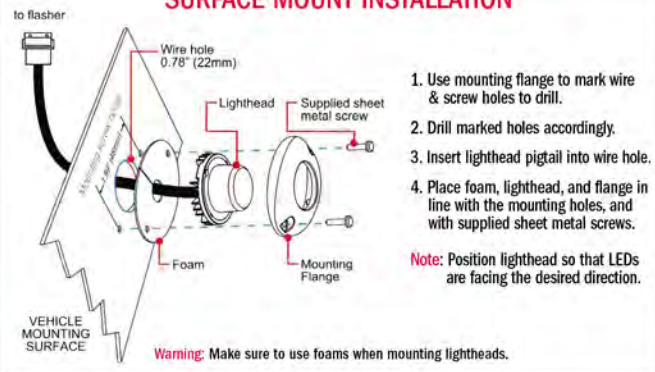
PART #	DESCRIPTION
SYLED-ECBL-6	Cable, 6.5'L
SYLED-EFLANGE-B	Flange Kit, Black
SYLED-EFLANGE-W	Flange Kit, White
SYLED-EFLSHR	Flasher
SYLED-EHEAD-A	Lighthouse, Amber
SYLED-EHEAD-C	Lighthouse, Clear



DIMENSIONS



SURFACE MOUNT INSTALLATION

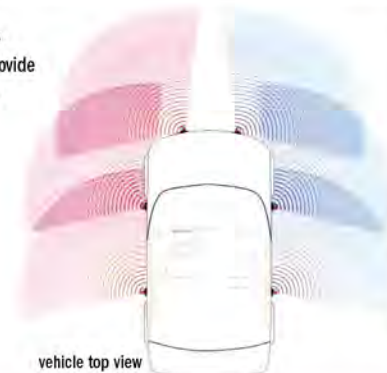


Flash Patterns:

Random	Double (all)
Single (split)	Quad (all)
Double (split)	Quint (all)
Quad (split)	Mega (all)
Quint (split)	Ultra (all)
Mega (split)	Single-Quad (all)
Ultra (split)	Single H/L (all)
Single-Quad (split)	Steady 2 (CA)
Single H/L (split)	Steady 4 (all)
Single (all)	

*SPLIT=Head1 alternate Head2
 *ALL=Head 1&2 Simultaneous

The Flange Mount Option enables surface mounting of lighthouse to provide optimum light output to the critical intersection angles



SYLED-PI- POP-IN SERIES



Specifications:

Voltage: 12vdc
 Kit Includes: (2) LED lighthoods,
 (1) 6' extension cable
 (1) flasher & cable
 Bulb: 3w LED x 6 per head (total 12 LEDs)
 Current Draw: 1.8a Max
 Flash Patterns: 19
 Warranty: 5 Year

Features:

- Multi-module synchronization
- Simultaneous or alternate flashing
- Built-in selectable flash patterns
- 180° visibility
- Reverse polarity protection
- LEDs rated to 100,000 hours of operation
- Weatherproof & vibration resistant design

PART #	LED
SYLED-PI-A	Amber
SYLED-PI-C	Clear
SYLED-PI-B	Blue
SYLED-PI-R	Red
SYLED-PI-AC	Amber/Clear Split
SYLED-PI-RB	Red/Blue Split

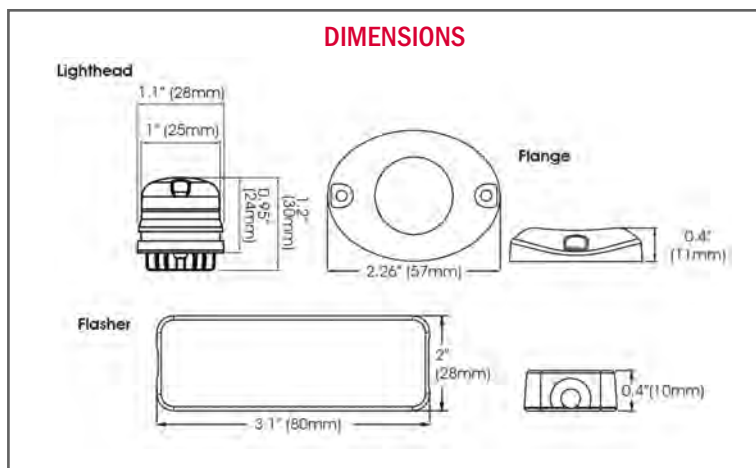
Replacement Parts:

PART #	DESCRIPTION
SYLED-ECBL-6	Cable, 6.5'L
SYLED-EFLANGE-B	Flange kit, black
SYLED-EFLANGE-W	Flange kit, white
SYLED-EFLSHR	Flasher

Flash Patterns:

Random	Double (all)
Single (split)	Quad (all)
Double (split)	Quint (all)
Quad (split)	Mega (all)
Quint (split)	Ultra (all)
Mega (split)	Single-Quad (all)
Ultra (split)	Single H/L (all)
Single-Quad (split)	Steady 2 (CA)
Single H/L (split)	Steady 4 (all)
Single (all)	

*SPLIT=Head1 alternate Head2
 *ALL=Head 1&2 Simultaneous



LIGHT ASSEMBLY INSTALLATION

1. Remove the Corner/Head/Tail light from vehicle.
2. Select location to mount lighthouse.
3. Drill 1 inch diameter hole to the light assembly.
4. Insert lighthouse into hole.
5. Apply silicone (user-supplied) for better fit.

WARNING: Do NOT cover heat sink with silicone. It may cause damage to the product and void warranty.

OPERATIONS

To +VDC (fuse @2A) for Color1 activation.....**RED**

To Chassis Ground.....**BLACK**

To +VDC (fuse @2A) for Color2 activation.....**WHITE**

For Synchronization & Flash Patterns.....**YELLOW**

Connect YELLOW wires of all Kits together for synchronization

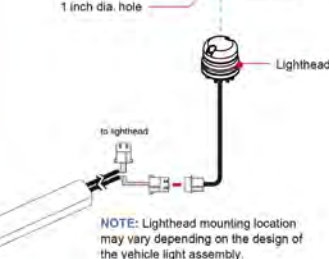
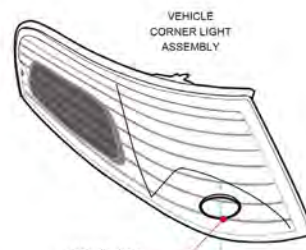
*All kits must be set at the same pattern

For Simultaneous or Split Flash (single head):

1. Apply +VDC to RED and YELLOW wires simultaneously to enter Mode selection; lighthouse will display single flash.

2. Remove YELLOW wire from +VDC and momentarily apply to +VDC to change Mode:

Mode: Mode1 = Simultaneous Flash, Color1 and Color2 LEDs flash together.
 Mode2 = Split Flash, Color1 LEDs alternate with Color2 LEDs.



For Flash Pattern change, momentarily apply +VDC to YELLOW wire: once for next pattern, quickly three times for reset

SYLED-CL3 SERIES

Specifications:

Voltage: 12-24vdc
 Light Source: 3 LEDs
 Output: 2.82w
 Current Draw: 0.24A @ 12vdc,
 0.12A @ 24vdc
 Flash Patterns: 12
 Housing: Die-cast aluminum

Warranty: 5 Year

Features:

- Multi-unit synchronization
- Reverse polarity protection
- Self-contained flasher unit



PART #	LED
SYLED-CL3-A	Amber
SYLED-CL3-C	Clear

Replacement Parts:

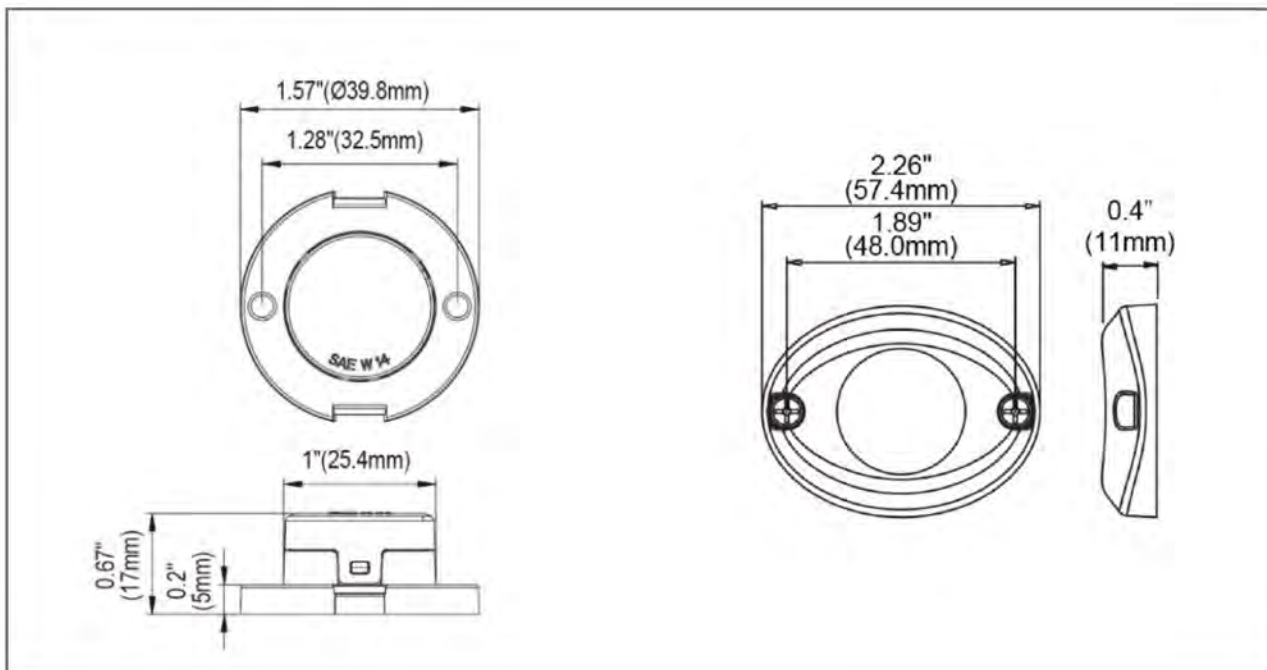
PART #	DESCRIPTION
SYLED-3FLANGE-B	Flush mount black flange
SYLED-3FLANGE-C	Flush mount chrome flange
SYLED-EFLANGE-B	Black flange
SYLED-EFLANGE-C	Chrome flange

Flash Patterns:

Random	Quint (SAE)
Single (SAR, CA13)	Ultra (SAE)
Mega	Single-Quad
Double (SAE)	Single-H/L
Triple (SAE)	Single-Triple-Quint
Quad (SAE)	

*SPLIT=Head1 alternate Head2

*ALL=Head 1&2 Simultaneous

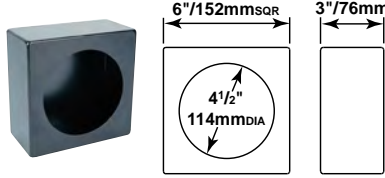

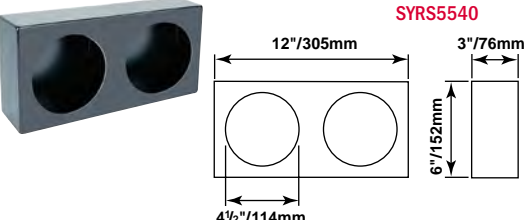

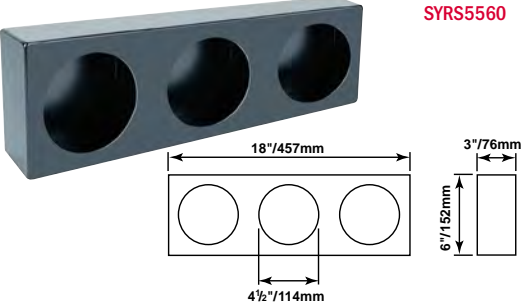

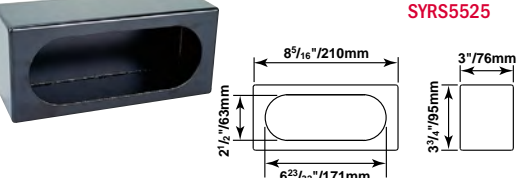

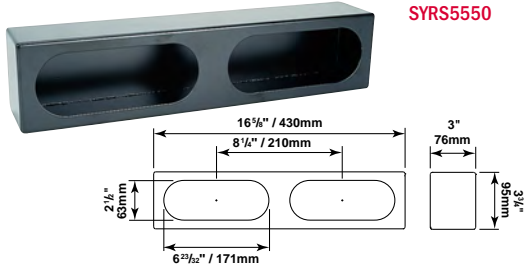

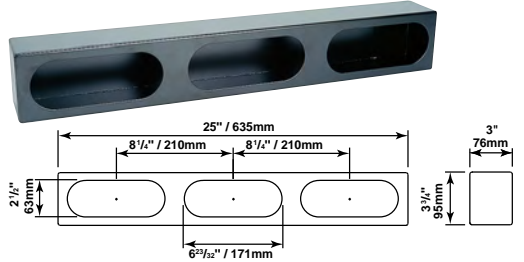



55 SERIES

Applications: Remote Strobe Heads / Brake/Tail / Turn Lights / Back-Up Lamps / Tail Lights / Park Lights

Light housings fit all standard 4" round and all standard 6.5" oval light heads

*Stainless steel, plastic housings available upon request

HOUSING PART #	DESCRIPTION	FITS
 <p>SYRS5515</p> <p>6" / 152mm SQR 3" / 76mm 4 1/2" / 114mm DIA</p>	<p>16ga sheet steel flat back inside and out 6.00" L x 6.00" W x 3.00" D</p> <p>BUILD YOUR OWN COMBINATION EXAMPLE: SY4415-A - (1) 4.0" Amber round quint flash strobe light SYRS515 - (1) Single round steel housing</p>	<p>(1) 4.0" Grommet mounted round sealed lamp</p> 
 <p>SYRS5540</p> <p>12" / 305mm 3" / 76mm 6" / 152mm 4 1/2" / 114mm</p>	<p>16ga Sheet steel flat back inside and out 6.00" L x 12.00" W x 3.00" D</p> <p>BUILD YOUR OWN COMBINATION EXAMPLE: SY4415-A - (1) 4.0" Amber round quint flash strobe light SY019-01-305 - (1) Red brake/tail/turn light SYRS5540 - (1) Double round steel housing</p>	<p>(2) 4.0" Grommet mounted round sealed lamp</p> 
 <p>SYRS5560</p> <p>18" / 457mm 3" / 76mm 6" / 152mm 4 1/2" / 114mm</p>	<p>16ga Sheet steel flat back inside and out 6.00" L x 18.00" W x 3.00" D</p> <p>BUILD YOUR OWN COMBINATION EXAMPLE: SY4415-A - (1) 4.0" Amber round quint flash strobe light SY019-01-305 - (1) Red brake/tail/turn light SY019-01-595 - (1) Clear back-up light SYRS5560 - (1) Triple round steel housing</p>	<p>(3) 4.0" Grommet mounted round sealed lamp</p> 
 <p>SYRS5525</p> <p>8 5/16" / 210mm 3" / 76mm 2 1/2" / 63mm 6 23/32" / 171mm</p>	<p>16ga Sheet steel flat back inside and out 3.75" L x 8.313" W x 3.00" D</p> <p>BUILD YOUR OWN COMBINATION EXAMPLE: SY4405-A - (1) 6.5" Amber oval quint flash strobe light SYRS5525 - (1) Single oval steel housing</p>	<p>(1) 6.5" Grommet mounted oval sealed lamp</p> 
 <p>SYRS5550</p> <p>16 1/4" / 430mm 3" / 76mm 8 1/4" / 210mm 2 1/2" / 63mm 6 23/32" / 171mm</p>	<p>16ga Sheet steel flat back inside and out 6.00" L x 12.00" W x 3.00" D</p> <p>BUILD YOUR OWN COMBINATION EXAMPLE: SY4405-A - (1) 6.5" Amber oval quint flash strobe light SY019-03-305 - (1) Red brake/tail/turn light SYRS5550 - (1) Double oval steel housing</p>	<p>(2) 6.5" Grommet mounted oval sealed lamps</p> 
 <p>SYRS5575</p> <p>25" / 635mm 3" / 76mm 8 1/4" / 210mm 2 1/2" / 63mm 6 23/32" / 171mm</p>	<p>16ga Sheet steel flat back inside and out 3.75" L x 25.00" W x 3.00" D</p> <p>BUILD YOUR OWN COMBINATION EXAMPLE: SY4405-A - (1) 6.5" Amber oval quint flash strobe light SY019-03-305 - (1) Red brake/tail/turn light SY019-03-595 - (1) Clear back-up light SYRS5575 - (1) Triple oval steel housing</p>	<p>(3) 6.5" Grommet mounted oval sealed lamps</p> 

Traffic-Manager[®]

Arrow Lights & Boards

- ✓ Arrow / Directional Lights - LED | Incandescent
- ✓ Arrow / Directional Lights - LED
- ✓ Arrow Boards - LED
- ✓ Lift Kits

Arrow lights come in multiple light sources and alternating flash patterns to provide advance, directional warning signals to drivers. Arrow boards provide extra directional warning on a larger scale with up to 1 mile of visibility and meet M.U.T.C.D. specifications.

Increase work zone safety by insuring your vehicle is equipped with quality safety lights that will catch the attention of distracted drivers.

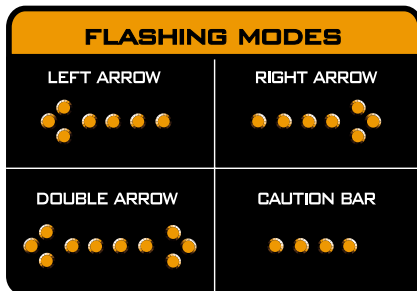


800 SERIES



Specifications:

- Voltage: 12 or 24vdc
- Current Draw: 7A
- Size: 55"L x 13"H
- Base: Heavy gauge enamel-dipped
- Mounting: Magnetic mount kit or hinged bracket mount kit
- Flashing Modes: Left, right, double arrow, caution arrow
- Warranty: 1 Year
- Features:
 - Includes arrow light, diagnostic controller & 25' or 50' wiring harness



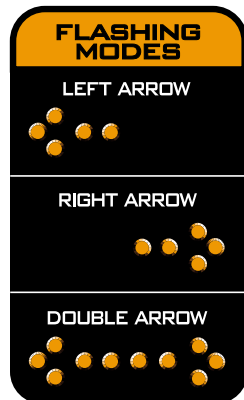
PART #	VOLTAGE / INCLUDES
SY800-LED	12vdc / Arrow light, diagnostic controller & 25' wiring harness
SY800-LED-50	12vdc / Arrow light, diagnostic controller & 50' wiring harness

855 SERIES



Specifications:

- Voltage: 12 or 24vdc
- Current Draw: 7A
- Size: 22.5"L x 16.0"H - 2 Pieces per
- Base: ABS high-impact corrosion-resistant plastic base with sealed back
- Mounting: Magnetic mount kit
- Flashing Modes: Left, right, double arrow
- Warranty: 1 Year
- Features:
 - Includes arrow light, diagnostic controller & 25' or 50' wiring harness



PART #	VOLTAGE / INCLUDES
SY855-LED	12vdc / Split arrow light, diagnostic controller & 25' wiring harness
SY855-LED-50	12vdc / Split arrow light, diagnostic controller & 50' wiring harness

990 SERIES



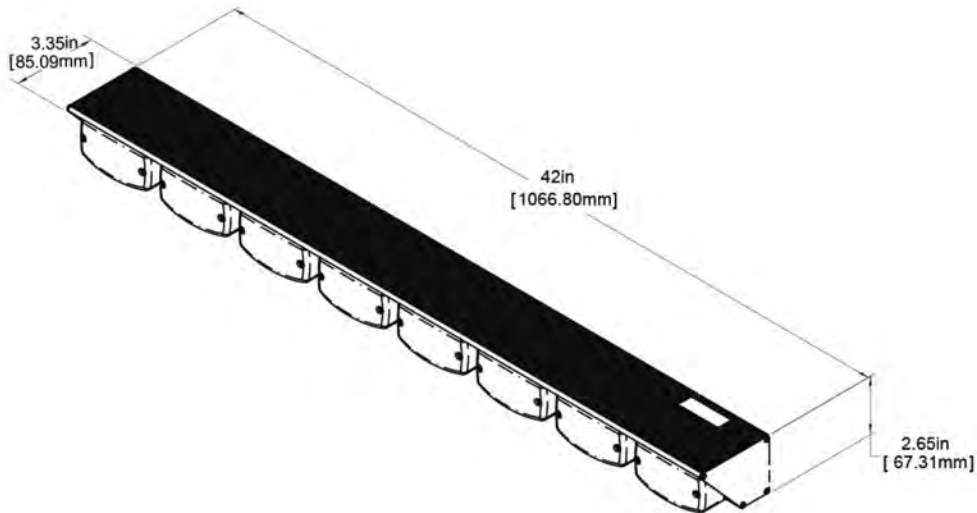
Specifications:

Housing: Aluminum
 Voltage: 12vdc
 Current Draw: 2A Max
 Size: 42" L x 3.35" D x 2.65" H
 Lamps: 8 LED pods rated at 100,000 hour life
 Modes Include: Left & right arrows, center out, warning function, 8 flash patterns per mode
 Flashing Patterns: 32
 Warranty: 2 Year
 Features:
 -Includes arrow light, controller & 25' or 50' wiring harness

Replacement Parts:

PART #	DESCRIPTION
SY927	Magnetic mount kit
SY928	Universal mount kit
SY930	L-Bracket mount kit
SY934	Flush mount kit
SY900-X	Arrow decal
SY990-LED-RM-A	Replacement module, amber
SY990-LED-CTR	Replacement controller
SY990-LED-WH25	Replacement harness - 25'
SY990-LED-WH50	Replacement harness - 50'
SY990-LED-CTR	Replacement controller

PART #	VOLTAGE / INCLUDES
SY990-LED	12vdc Arrow light, controller & 25' wiring harness
SY990-LED-50	12vdc Arrow light, controller & 50' wiring harness



SRTA SERIES



PART #	DESCRIPTION
SRTA06SE4-A	Traffic arrow - 6 heads
SRTA06SE4-A-KIT	Traffic arrow - 6 heads with controller
SRTA08SE4-A	Traffic arrow - 8 heads
SRTA08SE4-A-KIT	Traffic arrow - 8 heads with controller
SRTA10SE4-A	Traffic arrow - 10 heads
SRTA10SE4-A-KIT	Traffic arrow - 10 heads with controller

Replacement Parts:

PART #	DESCRIPTION
SYMB-LA	Bracket with adjustable height / angle
SYMB-LB	L-Bracket
SYMB-LC	Bracket for flush / surface mount
SRTASE4-A	4 LED module - amber
SRSW610-TA	Controller

Warning Patterns

Random
Outside-In Single
Outside-In Ultra
Side-by-Side Single
Side-by-Side Ultra
Kit Scan
Single (split)
Ultra (split)
Single H/L (split)
Single (all)
Ultra (all)

Arrow Patterns

Sweep Single
Sweep Double
Sweep Triple
Sweep Single End-Double
Solid
Solid End-Double
Solid Chaser
Solid Fade
Blink Double
Blink Triple
Blink Solid

Specifications:

Housing: Aluminum

LEDs per Head: 4

LED Heads: 6, 8 or 10

Voltage: 12-24vdc

Avg. Current:

6 Heads - 1.56A @ 12.8vdc / 0.78A @ 24.0vdc

8 Heads - 2.08A @ 12.8vdc / 1.04A @ 24.0vdc

10 Heads - 2.60A @ 12.8vdc / 1.30A @ 24.0vdc

Max. Current:

6 Heads - 3.12A @ 12.8vdc / 1.56A @ 24.0vdc

8 Heads - 4.16A @ 12.8vdc / 2.08A @ 24.0vdc

10 Heads - 5.20A @ 12.8vdc / 2.60A @ 24.0vdc

Storage Temperature: -40°C to +75°C

Operating Temperature: -30°C to +65°C

Flash Patterns: 11 Warning & 11 arrow

Wire Harness Colors: 6 - (orange, blue, brown, yellow, green, white)

Wire Harness Gauge: 16AWG

Color: Amber

Warranty: 5 Year

Features:

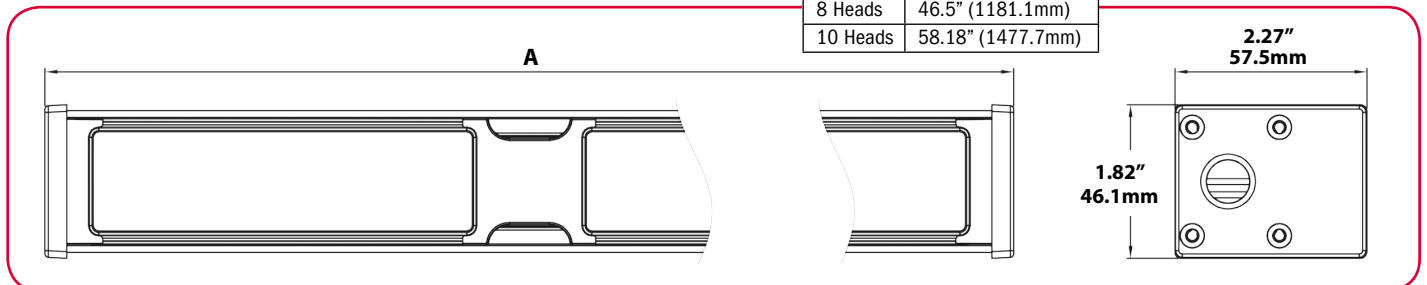
-LEDs rated to 100,000 hours of operation

-Non-volatile memory recalls last flash pattern used at power up

-Reverse polarity protection

Certifications: Meets SAE CA Title 13 (lighthouse only)

	A LENGTH
6 Heads	34.86" (885.5mm)
8 Heads	46.5" (1181.1mm)
10 Heads	58.18" (1477.7mm)



SRTA16 SERIES



Warning Patterns

One lamp sequence to double flash
Two lamp sequence to double flash
Six lamp sequence to double flash
Sequence to solid
One lamp sequence to triple flash
Triple lamp sequence to double flash
Sequence on to sequence off
Solid arrow

Specifications:

Voltage: 12-24vdc
 Dimensions: 42.5" L or 60.0" L x 16.2" H x 2.4" D
 Max. Current: 7.2A @ 12vdc, 4.1A @ 24vdc
 LEDs per Head: 4
 LED Heads: 16 or 20
 Flash Patterns: 32

8 patterns per function - Left, Right, Center, Warning
 Non-volatile memory recalls last pattern group
 Super-thin controller

Wire Harness: 18'

Input wires (controller): Red - Power, Black - Ground, Yellow - Sync, Blue - Ground Switch

Color: Amber

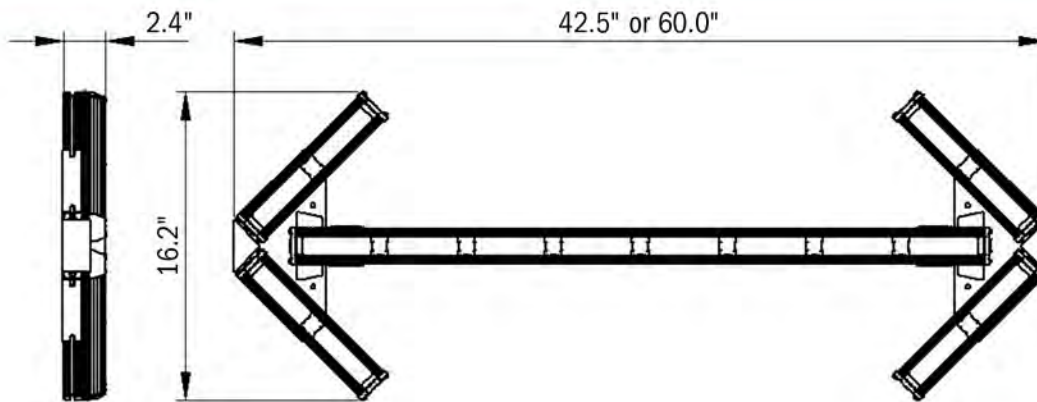
Warranty: 5 Year

Certifications: SAE Class I, CA Title 13

PART #	DESCRIPTION
SRTA16-A	16 Module LED amber traffic arrow w/ controller
SRTA20-A	20 Module LED amber traffic arrow w/ controller

Replacement Parts:

PART #	DESCRIPTION
SRTA16-RH	Replacement module
SRTA16-CTR	Replacement controller



SRZTA SERIES



Flash Patterns: (6, 8, 20 Heads)

Random Custom	Wig-Wag Slow-Fast
Random Standard	Single (split)
Outside-In Single	Ultra (split)
Outside-In Ultra	Single H/L (split)
Side-by-Side Single	Quint (split) + Mega (all)
Side-by-Side Ultra	Single (all)
Side-by-Side Slow-Fast	Double (4Heads-split) 2Hz
Kit Scan	Ultra (all)
Kit Scan Split	Quint (all) + Mega (split)
Kit Scan Dual + Double Flash	Steady (all)

Traffic Arrow Patterns

Sweep Single	Solid Chaser
Sweep Double	Solid Fade
Sweep Triple	Blink Double
Sweep Single End x2	Blink Triple
Solid	Blink Solid
Solid End x2	

End Flasher Patterns

Double [2Hz] (all)
Quad [2Hz] (all)
Single [2Hz] (all)
Double [2Hz] (all)
Quad [2Hz] (split)
Single [2Hz] (Split)

Fash Patterns (4 Heads)

Kit Scan	Single H/L (split)
Kit Scan + Double Flash	Quint (split) + Mega (all)
Wig-Wag Slow-Fast	Single (all) SAE
Outside-In Single	Double (all) 2Hz
Outside-In Ultra	Quint (all) SAE
Side-by-Side Single	Ultra (all) SAE
Side-by-Side Slow-Fast	Single-Quad (all)
Side-by-Side Slow-Fast	Single H/L (all)
Random	Quint (all) + Mega (split)
Single (split) SAE	Steady Half
Double (split) 2Hz	Steady all
Quint (split) SAE	Left Chaser
Ultra (split) SAE	Right Chaser
Single-Quad (split)	

Specifications:

Voltage: 12-24vdc

Dimensions: 18.02", 26.50", 34.50" or 43.44"L x 0.95"H x 1.50"D

Max. Current: 4 Head = 1.90A @ 12.8vdc / 0.50A @ 24.0vdc

6 Head = 2.90A @ 12.8vdc / 0.80A @ 24.0vdc

8 Head = 1.94A @ 12.8vdc / 1.00A @ 24.0vdc

10 Heads = 2.40A @ 12.8vdc / 1.20A @ 24.0vdc

LED Heads: 4, 6, 8 or 10

Flash Patterns:

-20 Flash and 11 arrow for (6, 8, 10 Head)

-27 Flash (4 Head)

Wire Harness: 18'

Color: Amber

Warranty: 3 Year

Features:

-Non-volatile memory recalls last pattern group

-Super-thin controller

Certifications: SAE J595

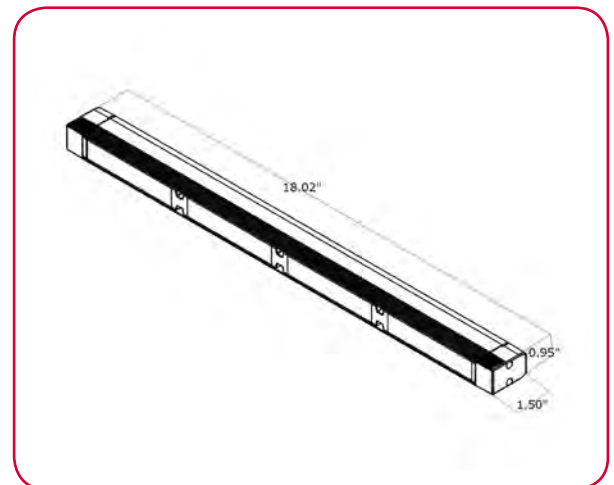
PART # DESCRIPTION

SRZTA04-A-KIT	4 Module LED slim amber traffic arrow w/ controller
SRZTA06-A-KIT	6 Module LED slim amber traffic arrow w/ controller
SRZTA08-A-KIT	8 Module LED slim amber traffic arrow w/ controller
SRZTA10-A-KIT	10 Module LED slim amber traffic arrow w/ controller

Replacement Parts:

PART # DESCRIPTION

SRZTA04-A	4 Module LED slim amber traffic arrow
SRZTA06-A	6 Module LED slim amber traffic arrow
SRZTA08-A	8 Module LED slim amber traffic arrow
SRZTA10-A	10 Module LED slim amber traffic arrow
SRZTA-RMA	Amber module
SRZTA-RMB	Blue module
SRZTA-RMC	Clear module
SRZTA-RMR	Red module
SRSW610-TA	Controller



Arrow/Directional Lights - LED

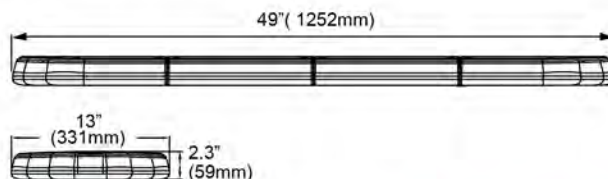
SYRLB SERIES 49" LIGHT BAR



Specifications:

Voltage: 12vdc
 Dimensions: 49.00"L x 13.00"D x 2.30"H
 Max. Current: 5A @ 12.8vdc
 LED Heads: 3 Fresnel optics for front/rear
 Lighthead: 6 LED large D-Fuser for corner lighthead
 Flash Patterns: 26
 Wire Harness: 10'
 Warranty: 5 Year
Certifications: CA Title 13, SAE J845

PART #	DESCRIPTION
SYRLB-49-A4	49" Light bar with amber corner and 4 inboards
SYRLB-49-A8	49" Light bar with amber corner and 8 inboards
SYRLB-49-A12	49" Light bar, amber fully populated



Truck Specific Strap Kits

PART #	DESCRIPTION
SYMB-SK	Base for Strap kits
SYRLB-SK-FSD	Strap kit for SYRLB - Ford F250, F350, F450
SYRLB-SK-DRHD	Strap kit for SYRLB - Dodge Ram 2500/3500
SYRLB-SK-CT	Strap kit for SYRLB - Suburban/Tahoe/Yukon
SYRLB-SK-DR	Strap kit for SYRLB - Dodge Ram 1500
SYRLB-SK-F150	Strap kit for SYRLB - Ford F150

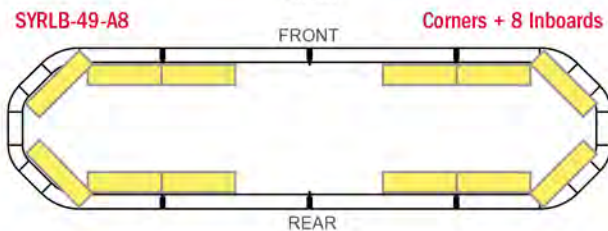
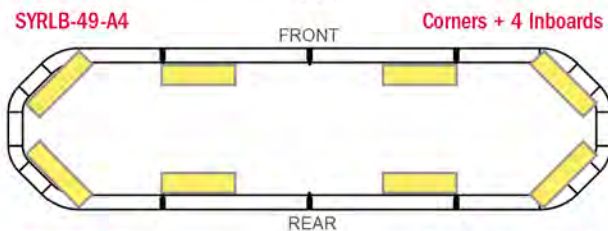
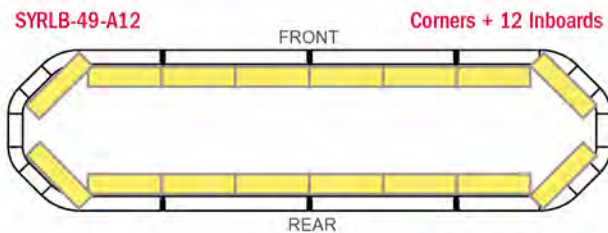
Permanent Mounting Brackets



PART #	DESCRIPTION
SYMB-NP	Narrow
SYMB-WP	Wide

Replacement Parts:

PART #	DESCRIPTION
SYRLB-LENS-ECR	Replacement lens - end cap
SYRLB-LENS-MS	Replacement lens - middle
SYRLB-RM-A	Replacement module - middle
SYRLB-CM-A	Replacement module - corner



Fash Patterns

Kit scan (split)	Single H/L (split)
Outside-in single	Single (all)
Outside-in ultra	Double (all)
Side-by-side single	Quad (all)
Side-by-side ultra	Quint (all)
Random	Mega (all)
Single (split)	Ultra (all)
Double (split)	Single-quad (all)
Quad (split)	Single H/L (all)
Quint (split)	Single cross
Mega (split)	Ultra cross
Ultra (split)	Rotator1
Single-quad (split)	Rotator2

SYRLB SERIES 54" LIGHT BAR



Specifications:

Voltage: 12vdc
 Dimensions: 54.60"L x 13.00"D x 2.30"H
 Max. Current: 7.45A @ 12.8vdc
 LEDs: 3 LED modules front/rear, 6 LED corner modules,
 2 Take-down lights, 2 Alley lights
 Flash Patterns: 36
 Traffic Patterns: 11
 Wire Harness: 15' Power cable with 15' function cable
 Warranty: 5 Year
Certifications: CA Title 13, SAE J845

PART #	DESCRIPTION
SYRLB-54-A12-AT	54" Light bar fully populated amber

Replacement Parts:

PART #	DESCRIPTION
SYRLB-LENS-ECR	Replacement lens - end cap
SYRLB-LENS-MS	Replacement lens - middle
SYRLB-RM-A	Replacement module - middle
SYRLB-CM-A	Replacement module - corner

Permanent Mounting Brackets



PART #	DESCRIPTION
SYMB-NP	Narrow
SYMB-WP	Wide

Truck Specific Strap Kits

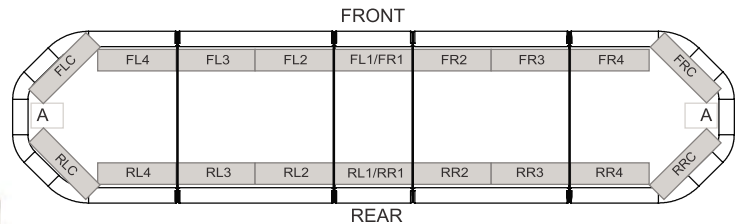
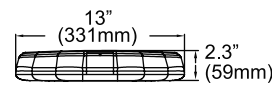
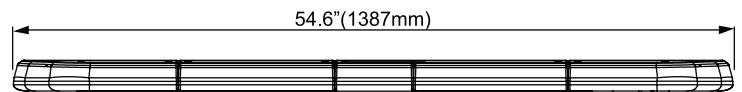
PART #	DESCRIPTION
SYMB-SK	Base for Strap kits
SYRLB-SK-FSD	Strap kit for SYRLB - Ford F250, F350, F450
SYRLB-SK-DRHD	Strap kit for SYRLB - Dodge Ram 2500/3500
SYRLB-SK-CT	Strap kit for SYRLB - Suburban/Tahoe/Yukon
SYRLB-SK-DR	Strap kit for SYRLB - Dodge Ram 1500
SYRLB-SK-F150	Strap kit for SYRLB - Ford F150

Traffic Patterns

Sweep single
Sweep double
Sweep triple
Sweep single end-double
Solid
Solid end-double

Solid chaser
Solid fade
Blink double
Blink tribble
Blink solid

*Each pattern can go either LEFT, RIGHT, or CENTER OUT



Fash Patterns

Mode 1	Mode 2	Mode 3
Single split (rear only)	Single split	Random
Double split (rear only)	Double split	Double split
Quad split (rear only)	Quad split	Quad split
Single-quad split (rear only)	Single-quad split	Single-quad split
Side-by-side single (rear only)	Side-by-side single	Side-by-side single
Side-by-side quad (rear only)	Side-by-side quad	Side-by-side quad
Side split (front only)	Outside-in single	Outside-in single
Double split (front only)	Outside-in quad	Outside-in quad
Quad split (front only)	Single all	Single all
Single-quad (front only)	Double all	Double all
Side-by-side single (front only)	Quad all	Quad all
Side-by-side quad (front only)	Single-quad all	Single-quad all

SY399 SERIES

Arrow Board

Housing: Aluminum panels & frame

Visibility: Up to 1 mile

Voltage: 12voc

Warranty: 1 Year

Features:

- Photocell for automatic dimming
- Includes: Arrow board, controller w/ 35' cable, 25' power cable, 2 controller mounting brackets

Controller:

Simplified One Touch Functions

- Visual Indication of Arrow Modes
- Arrow Modes: 5 Flashing/1 sequential (13 or 15 lamp board), 5 Flashing/7 sequential (25 lamp)
- Built-In diagnostic feature warns of defective lamps, low vehicle battery, & short circuit
- Auto up/down motor function
- Automatic or manual brightness control (7 levels, 40%-100%)

Certifications: Meets M.U.T.C.D. specifications



All SY399 Series arrow board prices are plus freight and crating charge. Our Traffic-Manager® 3900 Series arrow boards are manufactured to conform to the M.U.T.C.D. specifications. It is the users responsibility to be aware of all local city and state warning mode requirements.

MODEL	DESCRIPTION
SY3992413	Arrow board, 24" x 48", par 36 LED, 13 lamp
SY3992413-FS	Arrow board, 24" x 48", par 36 LED, full hood, 13 lamp
SY3992415	Arrow board, 24" x 48", par 36 LED, 15 lamp
SY3993615	Arrow board, 30" x 60", par 36 LED, 15 lamp
SY3993615-FS	Arrow board, 30" x 60", par 36 LED, full hood, 15 lamp
SY3993625	Arrow board, 30" x 60", par 36 LED, 25 lamp
SY3993625-FS	Arrow board, 30" x 60", par 36 LED, full hood, 25 lamp
SY3993650	Arrow board, 30" x 60" double sided, par 36 LED, 50 lamp (25 each side)
SY3993715-FS4	Arrow board, 36" x 72", par 46 LED, full hood, 15 lamp
SY3993725	Arrow board, 36" x 72", par 36 LED, 25 lamp
SY3993725-FS4	Arrow board, 36" x 72", par 46 LED, full hood, 25 lamp
SY3994915-FS4	Arrow board, 48" x 96", par 46 LED, full hoods, 15 lamp
SY3994925-FS4	Arrow board, 48" x 96", par 46 LED, full hoods, 25 lamp



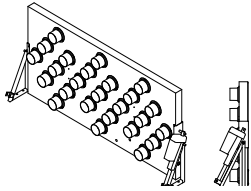
SY3990045 - Controller

Replacement Parts:

PART #	DESCRIPTION
SY3990045	Controller
SY3903605	Par 36 half hood, 3-hole mount, twist off, snow pack resistant
SY3903611	Par 36 full hood, improved glare control, 3-hole mount
SY3904611	Par 46 hood, improved glare control, 4-hole mount
SY1407A	Par 36 LED 7 LED side visibility lamp
SY3903614	Par 36 LED 20 LED lamp (unlit lamp appears black)
SY3904614	Par 46 LED 28 LED lamp (unlit lamp appears black)
EL390-0426	Power cable 25'

PART #	DESCRIPTION
EL390-0451	Power cable 50'
SY3970025	Control cable 25'
SY3970035	Control cable 35'
SY3970050	Control cable 50'
SY3990040	Driver
SY812L	Lamp assembly - amber
SY3990050	Arrow board retrofit kit driver control harness
SY3990050-2	Arrow board retrofit kit

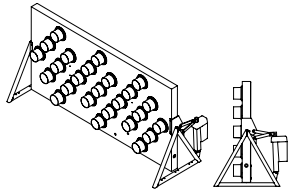
90° POWER LIFT KITS



- Right angle design
- Inverted actuator will not collect water
- Constructed with 1" square tubing
- Actuator will automatically stop when in operating or stored position
- Warranty: 1 Year
- Includes actuator assembly and side legs
- Not recommended for roof mount applications

PART #	DESCRIPTION	OPERATING HEIGHT	RIDING HEIGHT
SY3800090	Fits 24" x 48" and 30" x 60" boards	27.750" - 30.750"	17.000"
SY3800095	Fits 36" x 72" boards	36.625"	17.500"

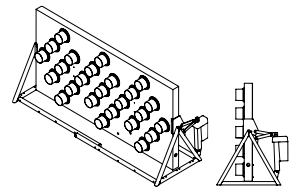
180° POWER LIFT KITS



- Angle design
- Inverted actuator will not collect water
- Constructed with 1.25" square tubing
- Actuator will automatically stop when in operating or stored position
- Warranty: 1 Year
- Includes actuator assembly and side legs
- Not recommended for roof mount applications

PART #	DESCRIPTION	OPERATING HEIGHT	RIDING HEIGHT
SY3800100	Fits 24" x 48" and 30" x 60" boards	31.375" - 34.750"	23.000"
SY3800105	Fits 36" x 72" boards	37.500"	23.000"

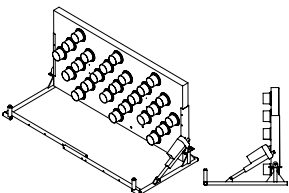
180° CAB MOUNT POWER LIFT KITS



- Angle design
- Inverted actuator will not collect water
- Constructed with 1.25" square tubing
- Actuator will automatically stop when in operating or stored position
- Warranty: 1 Year
- Includes actuator assembly and side legs
- Recommended for roof mount applications

PART #	DESCRIPTION	OPERATING HEIGHT	RIDING HEIGHT
SY3800110	Fits 24" x 48" and 30" x 60" boards	31.375" - 34.750"	23.000"
SY3800115	Fits 36" x 72" boards	37.500"	23.000"

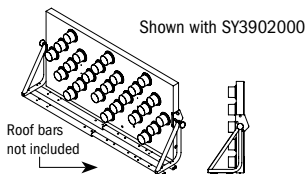
LOW PROFILE BOTTOM HINGE POWER LIFT KITS



- Bottom hinge design
- Inverted actuator will not collect water
- Constructed with 1.25" square tubing
- Actuator will automatically stop when in operating or stored position
- Warranty: 1 Year
- Includes actuator assembly and base frame
- Recommended for roof mount applications

PART #	DESCRIPTION	OPERATING HEIGHT	RIDING HEIGHT
SY3800120	Fits 24" x 48" and 30" x 60" boards	29.250" - 32.125"	11.000"
SY3800125	Fits 36" x 72" boards	37.875"	11.000"

MANUAL LIFT KITS



- Right angle design
- Constructed with 1" square tubing
- Warranty: 1 Year
- Includes side legs
- Not recommended for roof mount applications without roof mount bar assembly (SY3902000)

PART #	DESCRIPTION	OPERATING HEIGHT	RIDING HEIGHT	Accessories
SY3900100	Fits 24" x 48" and 30" x 60" boards	33.000"	21.250"	
SY3902002	Gutter mount kit, fits 36" x 72" boards			

Illuminator[®]

Auxiliary Lighting

- ✓ Work Lights - LED | HID | Halogen | Incandescent
- ✓ Light Bars
- ✓ Scene Light
- ✓ Rechargeable

Turn to Illuminator[®] heavy duty off-road vehicle auxiliary lights for any application where bright light is needed. Light up your work area with portable or fixed work lights offering halogen, LED or HID light sources. LED lights are increasingly becoming the preferred lighting choice featuring longer life, lower AMP draw, low maintenance and optimal brightness and visibility.



SY2L & SY4L SERIES



Specifications:

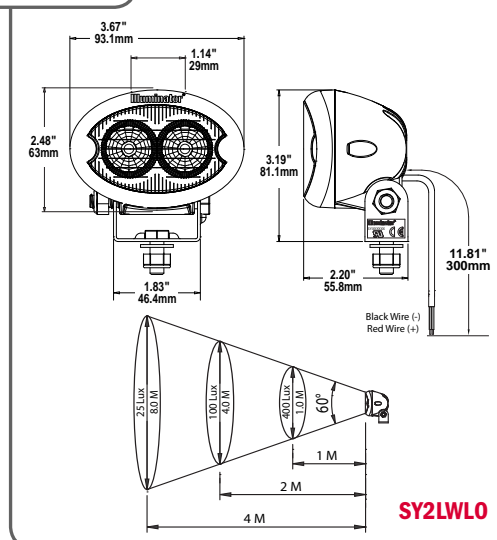
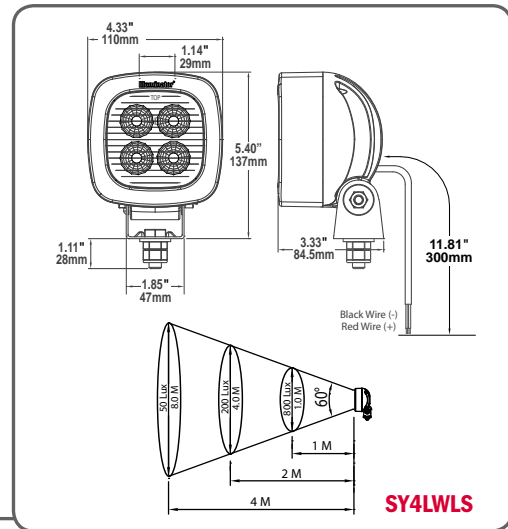
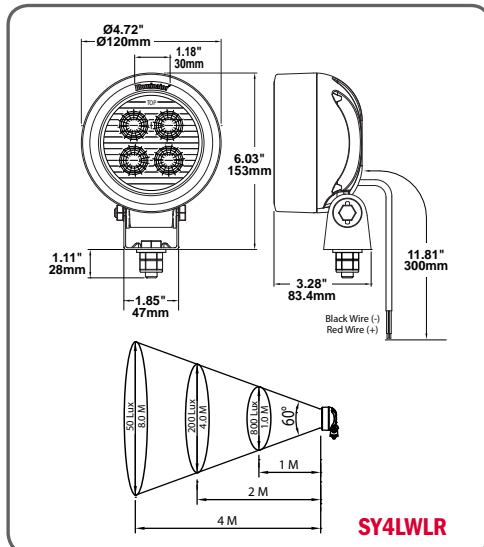
Voltage: 12-48vdc
 Light source: 2 or 4 LED
 # of LEDs: 6 Gen3 LEDs
 Light Output: 300 lumens/400 candela (2 LED models)
 450 lumens/1000 candela (4 LED models)
 Output: 4.5w (2 LED models), 8.5w (4 LED models)
 Current Draw: 0.4A@12v & 0.1A@48v (2 LED models)
 0.9A@12v & 0.3A@48v (4 LED models)
 Beam Pattern: Flood
 Viewing Angle: 60°
 Mounting Hardware: Stainless steel
 Lens: Polycarbonate
 Size: 3.67" Oval (2 LED model), Ø4.72" round or 4.33" square (4 LED model)
 Mount: Pedestal, pendant, lateral RH or LH with stud, swivel & wire leads
 Operating Temperature: -40 °C to -65 °C
 Features:

- Thermal shock resistant
- Reverse polarity protected
- Spike protected

Warranty: 2 Year

Certifications: IP66, CE

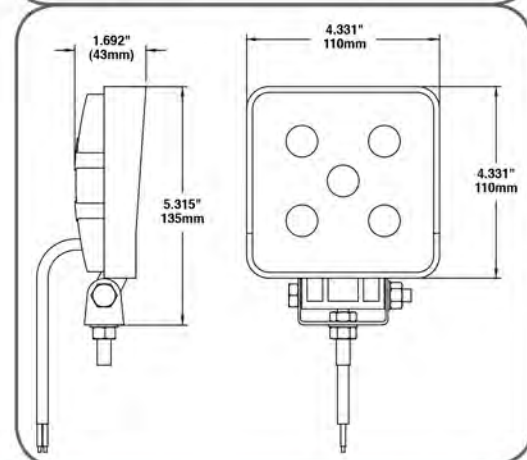
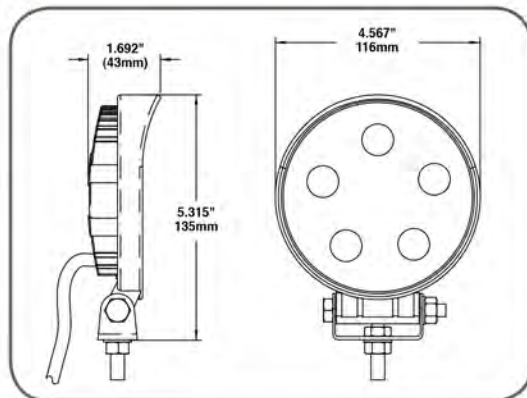
PART #	DESCRIPTION
SY2LWLO	2 LEDs, oval
SY4LWLR	4 LEDs, round
SY4LWLS	4 LEDs, square



SYLEDEC SERIES



Specifications:
 Voltage: 12-24VDC
 Light Source: 5 LED
 Light Output: 400 lumens
 Output: 15w
 Current Draw: 1.250A @ 12VDC
 0.625A @ 24VDC
 Beam Pattern: Flood
 Housing: Aluminum
 Mounting Hardware: Stainless steel
 Lens: PMMA
 Mount: Pedestal with wire leads
 Warranty: 1 Year
Certifications: IP66

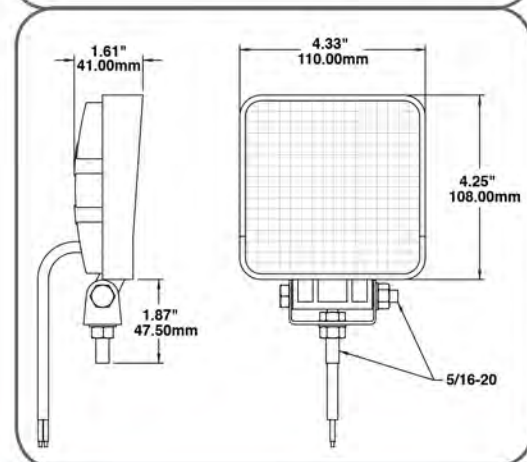
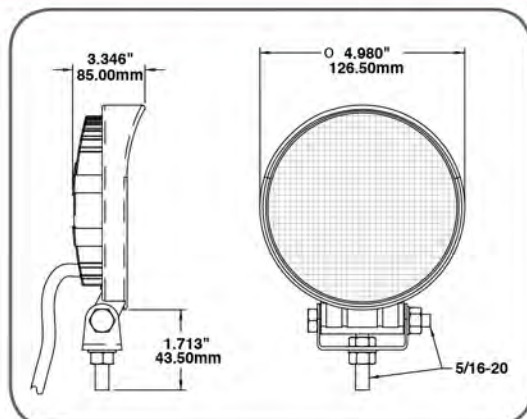


PART #	DESCRIPTION
SYLEDECWLS	Square
SYLEDECWLR	Round

SY5L & SY6L SERIES



Specifications:
 Voltage: 12-24VDC (12-48VDC SY5LCWLS-HV)
 Light Source: 5 or 6 LED
 Light Output: 500 Lumens (white)
 250 Lumens (amber)
 Output: 15w (white)
 12w (amber)
 Current Draw: 1.5A (white)
 0.8A (amber)
 Beam Pattern: Flood
 Housing: Die-cast aluminum alloy
 Mounting Hardware: Stainless steel
 Lens: Polycarbonate with high light transmission
 Mount: Pedestal with wire leads
 Operating Temperature: -40°C to +65°C
 Features:
 - Water resistant, dust proof and vibration proof
 Warranty: 3 Year
Certifications: IP68

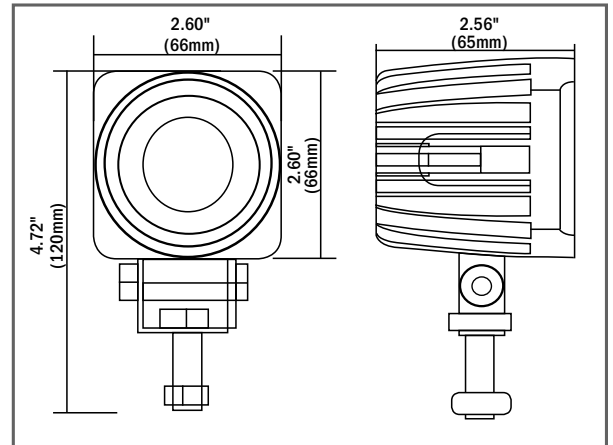


PART #	DESCRIPTION
SY5LCWLS	5 LEDs, square
SY5LCWLS-WC	5 LEDs, square w/ Deutsch connector
SY5LCWLS-HV	5 LEDs, square, 12-48V
SY6LCWLR	6 LEDs, round
SY6LCWLR-WC	6 LEDs, round w/ Deutsch connector
SY6LCWLR-A	6 LEDs, round w/ amber LEDs

SY2X2 SERIES



Specifications:
 Voltage: 12-24VDC or 12-48VDC
 Light Source: 4 or 6 LED
 Light Output: 900 or 1300 Lumens
 Output: 12w
 Current Draw: 0.9A @ 12VDC
 0.4A @ 24VDC
 Beam Pattern: Flood or Spot
 Housing: Aluminum
 Mounting Hardware: Stainless steel
 Size: 2.5" L x 2.5" H x 2.5" D
 Lens: Polycarbonate
 Mount: Pedestal with wire leads
 Warranty: 2 Year
Certifications: IP67

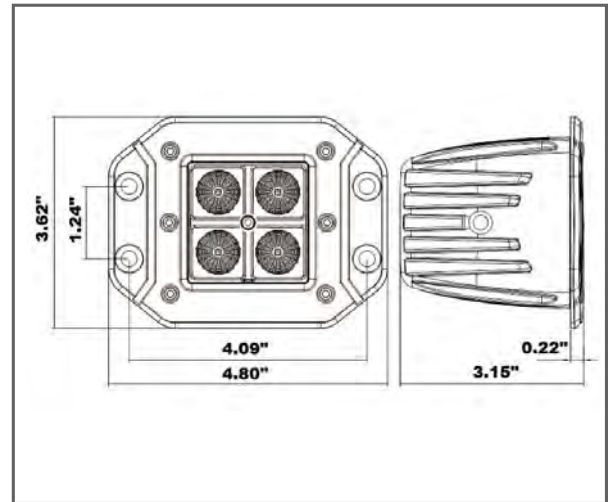


PART #	DESCRIPTION
SY2X2-FL	Flood pattern
SY2X2-SP	Spot pattern
SY2X2-FL-HV	12-48VDC Flood pattern
SY2X2-SP-HV	12-48VDC Spot pattern

FLUSH MOUNT SERIES



Specifications:
 Voltage: 12-24VDC
 Light Source: 4 LEDs (SY2X2)
 6 LEDs (SY2X3)
 Light Output: 900 (SY2X2) or (SY2X3)
 1300 Lumens
 Output: 12w (SY2X2) 18w (SY2X3)
 Current Draw: 1.34A @ 12VDC 0.67A
 @ 24VDC (SY2X2) 1.46A
 @ 12VDC 0.74A @ 24VDC
 (SY2X3)
 Beam Pattern: Flood or spot
 Housing: Aluminum
 Mounting Hardware: Stainless steel
 Size: 4.80" L x 3.62" H x 3.15" D
 Lens: Polycarbonate
 Mount: Pedestal with wire leads
 Warranty: 1 Year
Certifications: EMC, CE, IP67, RoHS



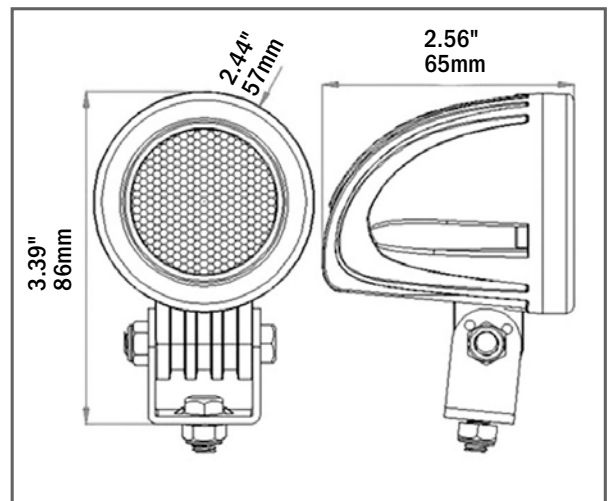
SYLESD-FL

PART #	DESCRIPTION
SY2X2FM-SP	4 LED 900LM flush mount spot
SY2X2FM-FL	4 LED 900LM flush mount flood
SY2X3FM-SP	6 LED 1300LM flush mount spot
SY2X3FM-FL	6 LED 1300LM flush mount flood

SYLESD SERIES



Specifications:
 Voltage: 12-60VDC
 Light Source: 1 LED
 Light Output: 720 Lumens
 Output: 10w
 Beam Pattern: Flood or Spot
 Housing: Aluminum
 Mounting Hardware: Stainless steel
 Size: 2.4" L x 2.5" H x 2.5" D
 Lens: Polycarbonate
 Mount: Pedestal with wire leads
 Warranty: 3 Year
Certifications: IP68, IP69K, SAEJ1455



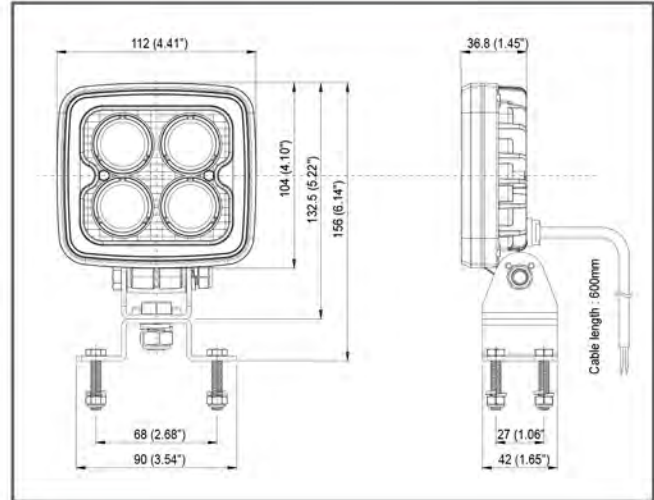
SYLESD-FL

PART #	DESCRIPTION
SYLESD-FL	Flood pattern
SYLESD-SP	Spot pattern

HIGH VOLTAGE 10-110VDC



Specifications:
 Voltage: 10-110vdc
 Light Source: 4 LED
 Light Output: 1000 Lumens
 Output: 12w
 Beam Pattern: Flood
 Housing: Aluminum
 Mounting Hardware: Stainless steel
 Size: 4.41" L x 4.10" H x 1.45" D Square
 Lens: Polycarbonate
 Mount: Pedestal with wire leads
 Features: Shock-proof, waterproof, dustproof housing suitable for rough conditions
 Warranty: 5 Year
Certifications: IP68



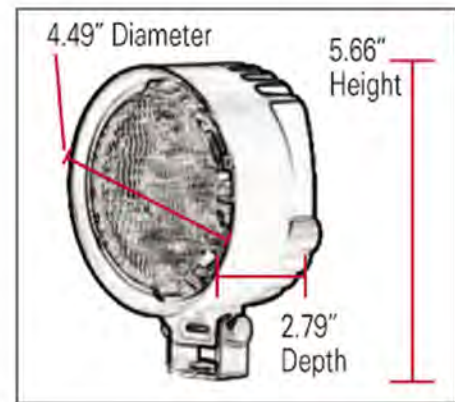
PART #	DESCRIPTION
SY4S12W	Flood pattern

SYW SERIES



SYWLED500-FL

Specifications:
 Voltage: 12-48vdc
 Light source: Par 36 LED
 # of LEDs: 6 Gen3 LEDs
 Light Output: 500 Lumens (SYWLED500 models)
 1000 Lumens (SYWLED1000 models)
 Current Draw: 1.3A @ 12.8v & 0.6A @ 25.6v & 0.3A @ 51.2v (500 Lumen models)
 2.0A @ 12.8v & 1.1A @ 25.6v & 0.6A @ 51.2v (1000 Lumen models)
 Beam Pattern: Flood or spot
 Color Temperature: 5700K
 Mounting Hardware: Stainless steel
 Housing: Die-cast metal
 Lens: Polycarbonate
 Size: 4.49" D
 Mount/Installation: Stainless steel
 Features:
 - 180° Viewing angle
 - Dust, vibration & moisture resistant
 - Premium optics
 - Made in USA
 Warranty: 3 Year
Certifications: IP67



PART #	DESCRIPTION
SYWLED500-FL	500 lumen, flood pattern
SYWLED500-SP	500 lumen, spot pattern
SYWLED1000-FL	1000 lumen, flood pattern
SYWLED1000-SP	1000 lumen, spot pattern

SYLED1400 Series



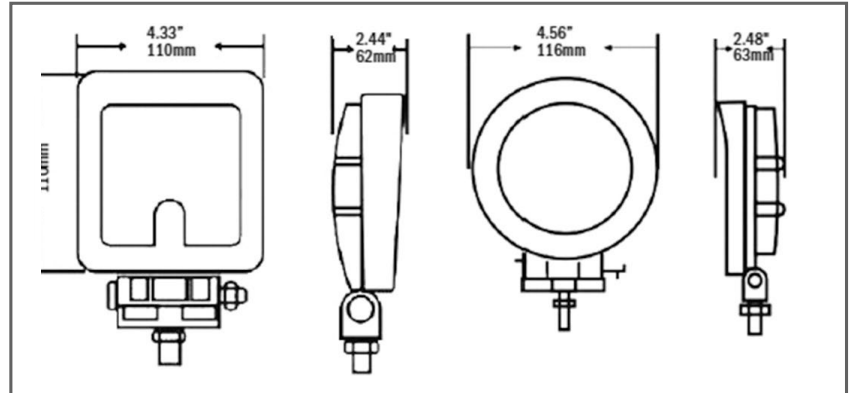
SYLED1400S-FL

SYLED1400R-FL

Specifications:

Voltage: 12-24VDC
 Light Source: 9 LED
 Light Output: 1400 Lumens
 Output: 27W
 Current Draw: 1.0A @ 12VDC
 0.5A @ 24VDC
 Beam Pattern: Flood or spot
 Housing: Aluminum
 Mounting Hardware: Stainless steel

Size: 4.50" L x 4.50" H x 2.48" D (round)
 4.33" L x 4.33" H x 2.44" D (square)
 Lens: Polycarbonate
 Mount: Pedestal with wire leads
 Features: Shock-proof, waterproof, dustproof
 housing suitable for rough conditions
 Warranty: 3 Year
Certifications: IP68, IP69K, SAE J1455



PART #	DESCRIPTION
--------	-------------

SYLED1400R-FL	Round flood
SYLED1400R-SP	Round spot
SYLED1400S-FL	Square flood
SYLED1400S-SP	Square spot

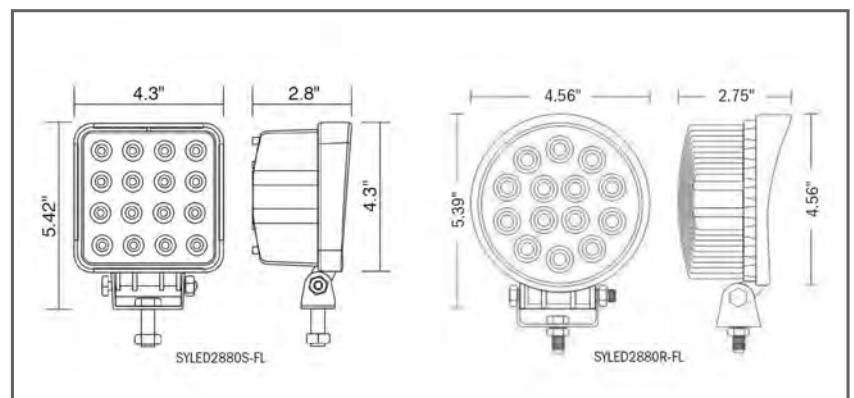
SYLED2880 SERIES



Specifications:

Voltage: 12-24VDC
 Light Source: 16 LEDs
 Light Output: 2880 Lumens
 Output: 48W
 Current Draw: 2.8A @ 12VDC
 1.9A @ 24VDC
 Beam Pattern: Flood
 Housing: Diecast aluminum alloy
 Mounting: Pedestal with wire leads

Mounting Hardware: Stainless steel
 Size: 4.30" L x 5.42" H x 2.80" W
 Lens: PMMA
 Warranty: 3 Year
Certifications: IP67, EMC



PART #	DESCRIPTION
--------	-------------

SYLED2880R-FL	2880 Lumen round LED worklight - flood
SYLED2880S-FL	2880 Lumen square LED worklight - flood

SYHP SERIES



SYHPLEDWL4800

SYHPLEDWL3200

PART #	DESCRIPTION
SYHPLEDWL3200	4 LEDs, square
SYHPLEDWL4800	6 LEDs, round

Specifications:

Voltage: 11-70vdc
 Light Source: 4 or 6 High intensity LEDs
 Light Output: 3200 Lumens (4 LED models)
 4800 Lumens (6 LED models)
 Output: 32w (4 LED models)
 48w (6 LED models)
 Current Draw: 2.4A@12.8v / 1.2A@25.6v / 0.5A@60.0v (4 LED models)
 3.6A@12.8v / 1.8A@25.6v / 0.8A@60.0v (6 LED models)

Beam Pattern: Flood

Base: Aluminum - heatsink/heat distribution

Size: 6.1" Round or 4.9" square

Mount: Wire leads & screw kit

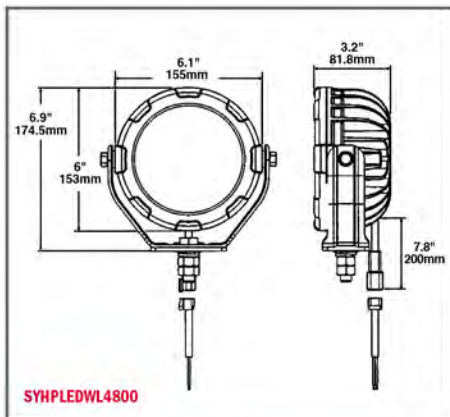
Operating Temperature: -30 °C to +70 °C

Features:

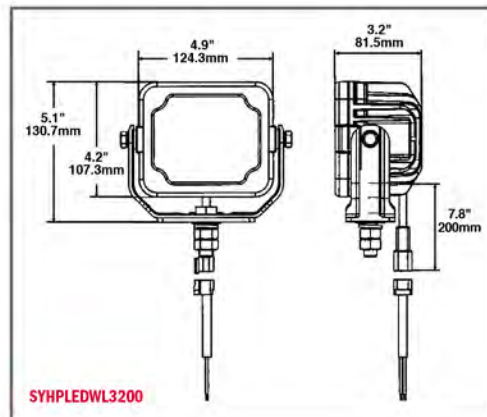
- Weather proof & vibration resistant design for external & internal use
- Waterproof
- LEDs rated to 50,000 hours of operation
- Reverse polarity protection

Warranty: 5 Year

Certifications: EMC, IP68



SYHPLEDWL4800



SYHPLEDWL3200

SYLED725 SERIES



PART #	DESCRIPTION
SYLED725-FL	LED Worklight

Specifications:

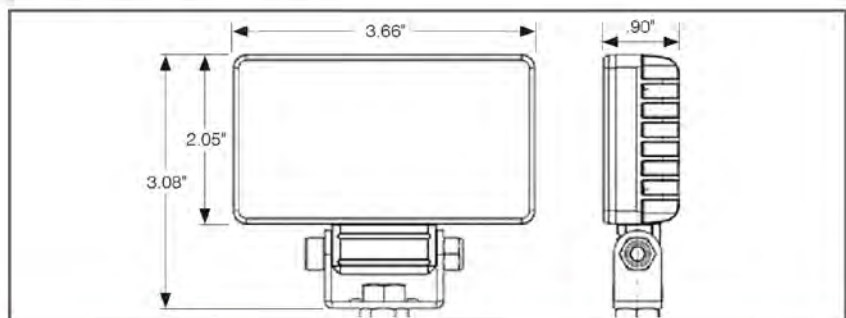
Voltage: 12-24vdc
 Light Source: 33 LEDs
 Light Output: 725 Lumens
 Output: 6.6w
 Current Draw: 0.50A @ 12vdc, 0.25A @ 24vdc
 Beam Pattern: Flood
 Housing: Aluminum
 Lens: Polycarbonate
 Size: 3.66" w x 2.05" h x 0.90" d
 Mounting Hardware: Stainless steel

Features:

- Super thin profile for mounting in tight places
- 30,000 Hours of operation
- Low AMP draw

Warranty: 1 Year

Certifications: IP67, CE, RoHS



SYLED950 SERIES



Specifications:

Voltage: 12-24VDC
 Light Source: 6 LEDs
 Light Output: 950 Lumens
 Output: 18w
 Current Draw: 1.40A @ 12VDC, 0.75A @ 24VDC
 Beam Pattern: Spot or flood
 Housing: Aluminum
 Lens: Polycarbonate
 Size: 1.78"H x 6.30"W x 2.48"D
 Mounting Hardware: Stainless steel

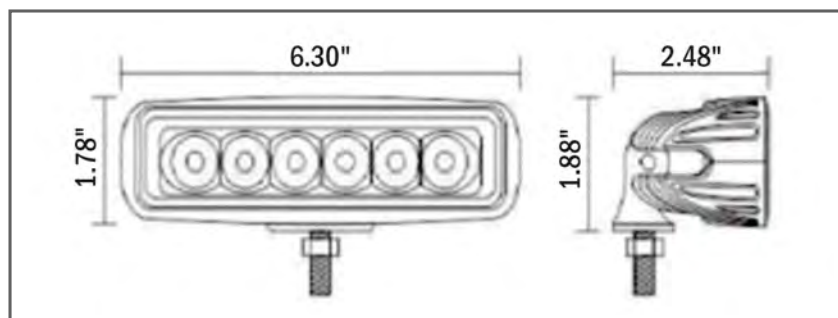
Features:

- Shock-proof, water resistant housing
- 30,000 Hours of operation

Warranty: 1 Year

Certifications: IP67, CE, RoHS

PART #	DESCRIPTION
SYLED950-SP	LED Worklight - spot
SYLED950-FL	LED Worklight - flood



SYLED1150R SERIES



Specifications:

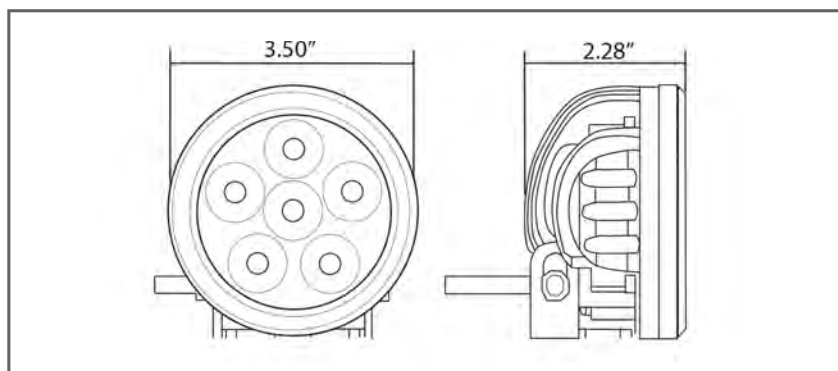
Voltage: 12-48VDC
 Light Source: 6 LEDs
 Light Output: 1150 Lumens
 Output: 18w
 Current Draw: 1.1A @ 12VDC, 0.6A @ 24VDC
 Beam Pattern: Spot
 Housing: Diecast Aluminum Alloy
 Mounting Hardware: Stainless steel
 Size: 3.50"L x 3.50"W x 2.28"H
 Lens: Polycarbonate

Mount: Permanent 30,000+ working hours
 Deutsch connector included mounting bracket and hardware included

Warranty: 1 Year

Certifications: IP67, CED, EMC, RoHS

PART #	DESCRIPTION
SYLED1150R-SP-DT	1150 Lumen round LED worklight - spot



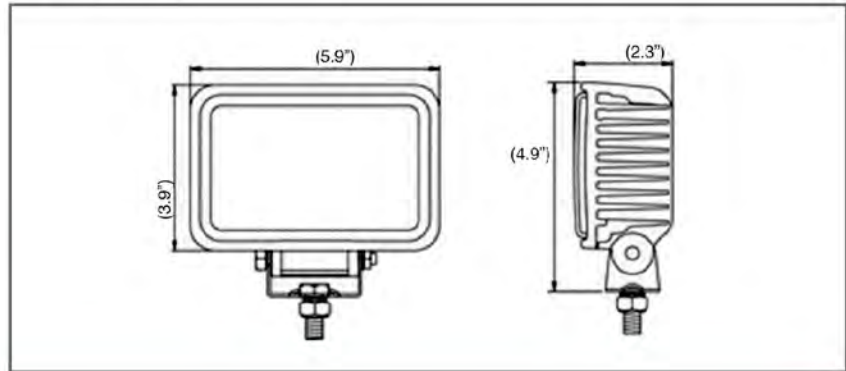
SYLED1350 SERIES



Specifications:

Voltage: 12-28vdc
 Light Source: 6 LEDs
 Light Output: 1350 Lumens
 Output: 18w
 Beam Pattern: Spot or flood
 Housing: Diecast aluminum alloy
 Mounting Hardware: Stainless steel
 Size: 5.9" w x 3.9" h x 2.3" d
 Lens: Polycarbonate

Mount: Permanent
 Mounting Bracket and hardware included
 Warranty: 1 Year
Certifications: CE, EMC, RoHS



PART #	DESCRIPTION
SYLED1350-FL	1350 Lumen LED worklight - flood
SYLED1350-SP	1350 Lumen LED worklight - spot

SYLED360R-FL SERIES



Specifications:

Voltage: 12-24vdc
 Light Source: 12 LEDs
 Light Output: 1400L
 Output: 36W
 Current Draw: 2.3A @ 12vdc 1.1A @ 24vdc
 Beam Pattern: Flood
 Housing: Aluminum
 Lens: Polycarbonate
 Size: 6.1" L x 11.6" H x 3.4" D
 Mounting Hardware: Swivel base with rubber pad; screws included

Operating Temperature: -40 °C to 50 °C
 360 ° Rotation
 On/off switch
 Shock resistance 20G
 Warranty: 1 Year
Certifications: IP67, CE, RoHS

PART #	DESCRIPTION
SYLED360R-FL	LED worklight 1400LM, 12-24vdc, flood, with switch
SYLED360R-SP	LED worklight 1400LM, 12-24vdc, spot, with switch



PROJECTOR



Specifications:

Voltage: 12vdc
 Light Source / Output: 3 - 1w LEDs
 Current Draw: 0.26A
 Lens: Polycarbonate
 Size: 4.4" w x 1.4" h x 1.4" d
 Housing: Black Cast Aluminum
 Mounting Bracket: Stainless steel
 Mount: Surface, 2 wire leads
 Features:
 -Steady-burn, white projector light

PART #	DESCRIPTION
SRMXPLB630	3 LED

LED STRIP LIGHTING



Specifications:

Voltage: 12vdc
 Light Source: 5050 LED chip
 LEDs: 9 LEDs/foot (1 1/4" spacing)
 Beam Pattern: Flood
 Light Output: 117 Lumens (SYLED-STRP12)
 234 Lumens (SYLED-STRP24)
 351 Lumens (SYLED-STRP36)
 468 Lumens (SYLED-STRP48)
 Current Draw: 0.2A @ 12vdc (SYLED-STRP12)
 0.4A @ 12vdc (SYLED-STRP24)
 0.6A @ 12vdc (SYLED-STRP36)
 0.8A @ 12vdc (SYLED-STRP48)
 Lens: Highly flexible, water resistant silicone
 Mount: 3M adhesive back
 LEDs rated @ 50,000 hour
 Reverse polarity protection
 Spike protection
 UV resistant
 Custom lengths available
 Color: White
 Warranty: 1 Year
Certifications: IP67 exceeds NFPA regulations

PART #	DESCRIPTION
SYLED-STRP12	Strip light with 9 LEDs clear 12in 12vdc with adhesive back
SYLED-STRP24	Strip light with 18 LEDs clear 24in 12vdc with adhesive back
SYLED-STRP36	Strip light with 27 LEDs clear 36in 12vdc with adhesive back
SYLED-STRP48	Strip light with 36 LEDs clear 48in 12vdc with adhesive back



SYTLB SERIES



Specifications:

Voltage: 12-36vdc
 Light source: High Power 5w LEDs
 Beam Pattern: 15° Focused lenses
 Viewing Angle: 15°
 Mounting Brackets: Adjustable
 Mounting Hardware: Stainless steel
 Size: 1.50" h x 0.75" b
 Styles: Flush, straight & curved (6° curve radius)
 Operating Temperature: -100°F to 220°F
 Features:

- Made in the USA
- 50,000 Hour life expectancy
- Fully potted
- Wiring harness included

Warranty: 5 Year

Certifications: IP68 & IP69K

PART #	LENGTH	WATTS	AMP DRAW	LUMENS	# LEDS
SYTLB6	5.000"	9	0.75	1,200	3
SYTLB6-FM	5.750"	9	0.75	1,200	3
SYTLB6X4-FM	5.750"	18	1.50	2,400	6
SYTLB12	11.625"	27	2.25	3,600	9
SYTLB12-FM	11.85"	27	2.25	3,600	9
SSYTLB20	21.625"	54	4.50	7,200	18
SYTLB30	31.625"	81	6.75	10,800	27
SYTLB30-C	31.625"	81	6.75	10,800	27
SYTLB40	41.625"	108	9.00	15,000	39
SYTLB40-C	40.625"	112	11.00	15,000	39
SYTLB50	51.625"	135	11.25	19,200	48
SYTLB50-C	50.625"	145	12.00	19,200	48
SYTLB60	61.625"	162	13.50	22,800	57
SYTLB60-C	60.625"	168	15.00	22,800	57
SYTLB70	71.625"	189	15.75	27,600	69

PART # DESCRIPTION

CRADLE BRACKETS

SYTLB6-CB	Fits SYTLB6
SYTLB12-CB	Fits SYTLB12
SYTLB20-CB	Fits SYTLB20
SYTLB30C-CB	Fits SYTLB30-C
SYTLB30-CB	Fits SYTLB30
SYTLB40C-CB	Fits SYTLB40-C
SYTLB40-CB	Fits SYTLB40
SYTLB50-CB	Fits SYTLB50

ROOF BRACKETS

USED ON

SYTLB40-GM-RB	For 2014-2015 CHEVY/GM 1500, only fits SYTLB40-C
SYTLB50C-GM-RB	For 2014-2015 CHEVY/GM 1500, only fits SYTLB50-C
SYTLB50C-GM2-RB	For CHEVY/GM, only fits SYTLB50-C
SYTLB50C-F150-RB	For 2009-2014 F150, only fits SYTLB50-C
SYTLB50C-F250-RB	For 2011-2014 F250, only fits SYTLB50-C
SYTLB50C-RAM-RB	For 2009-2015 DODGE RAM, only fits SYTLB50-C

WIRING ACCESSORIES DESCRIPTION

SYTLB-WR	Remote kit - wireless on/off
SYTLB-RH	Harness - replacement

MISC. ACCESSORIES DESCRIPTION

SYTLB100-W	Guard - wind noise
SYTLB100-C	Cover



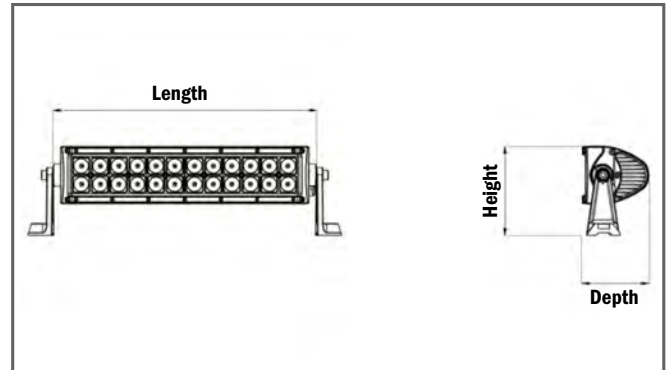
SYLBDR-COMBO SERIES



Specifications:

Voltage: 12-24vdc
 Operating Temperature: -40 °F to 140 °F
 Light Source: 3w LEDs
 Beam Pattern: Combo Flood (90°) spot (8°)
 Lens Material: Polycarbonate
 Mounting Brackets and Hardware Included
 DT/ATP connector included
 Warranty: 2 Year
Certifications: IP67

PART #	LENGTH	WATTS	AMP DRAW	LUMENS	# LEDS
SYLB4DR-FL	4.00"	18	1.6	1,400	6
SYLB6DR-COMBO	6.00"	36	2.3	2,880	12
SYLB12DR-COMBO	12.00"	72	4.4	5,760	24
SYLB20DR-COMBO	20.00"	120	8.6	9,600	40
SYLB30DR-COMBO	30.00"	180	12.7	14,400	60
SYLB40DR-COMBO	40.00"	240	16.0	19,200	80
SYLB50DR-COMBO	50.00"	288	17.0	23,040	96



ACCESSORIES	DESCRIPTION
SYLBDR-WH	Wiring Harness

SYSLB SERIES



Specifications:

Voltage: 12-36vdc
 Light Source: 5w LEDs
 Beam Pattern: 10° Spot
 Lens: Optical PC Lens
 Housing Material: Aluminum
 Size: 1.66" H x .669" D
 Warranty: 2 Year
 Features:
 -DT Connector Included
 -90° Adjustable Steel Brackets and Hardware Included
 -30,000 Working Hours
Certifications: IP68/69K

PART #	LENGTH	WATTS	AMP DRAW	LUMENS
SYSLB10	10.00"	40	8	3,700
SYSLB20	20.00"	90	18	7,500
SYSLB30	30.00"	140	28	11,760
SYSLB40	40.00"	180	36	15,000
SYSLB50	50.00"	240	48	19,500



SYHD SERIES



SYHD5000

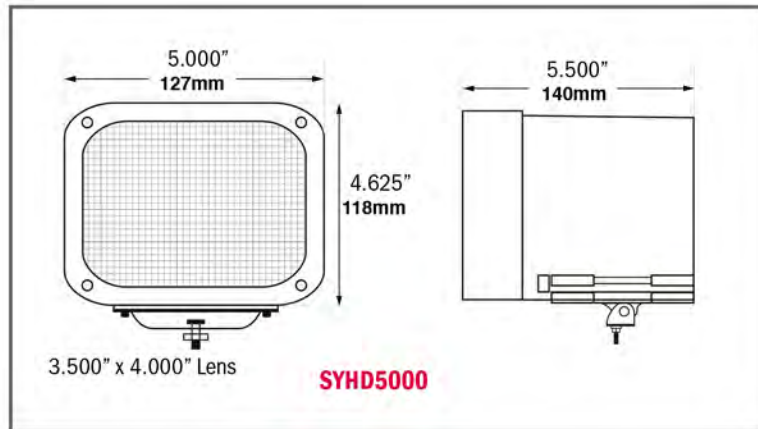
Specifications:

Voltage: 12-24vdc
 Light Source: HID xenon
 Bulb: H3 35w HID
 Rated Life: 3000 Hours per bulb
 Current Draw: 3.5A@12vdc
 IP Rating: 68
 Beam Pattern: Flood
 Lumens: 3200
 Housing: Black plastic
 Lens: Borosilicate toughened glass, fluted, grain lines, clear
 Size: 5.000" x 4.625" x 5.520"
 Weight: 3.09lbs
 Features:
 -Stainless steel mounting hardware
 -0.250" Male spade connection (SYHD500 only)
 -Internal integrated ballast
 -Vibration resistant
 Warranty: 1 Year

PART #	DESCRIPTION
SYHD5000	Light with 3.5" x 4.0" lens

Replacement Parts:

PART #	DESCRIPTION
SYHD5005	HID Xenon Bulb: H3 35w



PAR 36



Specifications:

Voltage: 12vdc
 Beam Pattern: Flood
 Housing: Black EPDM Impact Resistant
 Size: 5" DIA
 Mount: 2-Wire External Ground
 Features:

- Brighter light output than from sealed-beam unit
- Water, dust and vibration resistant
- Durable shock resistant polymer housing
- Warranty: 1 Year

PART #	DESCRIPTION
SY300012-HF	12vdc Light

Replacement Parts:

PART #	DESCRIPTION
SY300000	Rubber housing kit, Par 36
SYH7606	Sealed beam, Par 36, flood, 4.5"DIA

PAR 46



Specifications:

Voltage: 12vdc
 Beam Pattern: Trapezoid or flood
 Housing: Black EPDM impact resistant
 Size: 6" DIA
 Mount: 2-Wire external ground
 Features:

- Brighter light output than from sealed-beam unit
- Water, dust and vibration resistant
- Durable shock resistant polymer housing
- Warranty: 1 Year

PART #	DESCRIPTION
SY400012-HT	12vdc Light, trapezoid
SY400012-HF	12vdc Light, flood

Replacement Parts:

PART #	DESCRIPTION
SY400000	Rubber housing kit, Par 46
SYH7609	Sealed beam, Par 46, flood, 5.75"DIA
SYH7619	Sealed beam, Par 46, trapezoid, 5.75"DIA

3X3



Specifications:

Voltage: 12-48vdc
 Output Power: 35w, 55w or 70w
 Beam Pattern: Flood
 Housing: Black, durable shock resistant polymer
 Size: 3" x 3"
 Mount: Pendant or pedestal, 2 wire leads bare
 Inclination: Vertical - up to 100° up and 45° down
 Features:

- Asymmetrical lens directs light to the ground
- Water, dust & vibration resistant
- Adjustable base
- Warranty: 1 Year

PART #	DESCRIPTION
SY733112	12vdc, 35w, pendant mount
SY733124	24vdc, 35w, pendant mount
SY733136	36vdc, 35w, pendant mount
SY733148	48vdc, 35w, pendant mount
SY733212	12vdc, 35w, pedestal mount
SY733224	24vdc, 35w, pedestal mount
SY733236	36vdc, 35w, pedestal mount
SY733248	48vdc, 35w, pedestal mount
SY733312	12vdc, 55w, pendant mount
SY733324	24vdc, 70w, pendant mount
SY733412	12vdc, 55w, pedestal mount
SY733424	24vdc, 70w, pedestal mount

Replacement Parts:

PART #	DESCRIPTION
SY700100	Bulb, 12vdc, 35w
SY700150	Bulb, 24vdc 35w
SY700200	Bulb, 36vdc, 35w
SY700300	Bulb, 48vdc, 35w
SY700400	Bulb, 12vdc, 55w
SY700500	Bulb, 24vdc, 70w

Work Lights - Halogen

3X5



Specifications:

Voltage: 12-48vdc
 Output Power: 35w 55w or 70w
 Beam Pattern: Flood
 Housing: Black, durable shock resistant polymer
 Lens: Polycarbonate or glass
 Size: 3"x5"
 Inclination: Vertical up to 30° up or down;
 horizontal up to 135° left and 45° right (LH mount)
 and up to 135° right and 45° left (RH mount)

Features:

- Asymmetrical lens directs light to the ground
- Water, dust & vibration resistant
- Warranty: 1 Year

Pendant Mount, Swivel Base

PART #	VDC	WATT
SY706112	12	55
SY706124	24	70

Flush Mount

PART #	VDC	WATT	LENS
SY701112	12	35	Polycarbonate
SY701124	24	35	Polycarbonate
SY701136	36	35	Polycarbonate
SY701148	48	35	Polycarbonate
SY705212	12	55	Glass
SY705224	24	70	Glass

Lateral Mount, Swivel Base

PART #	VDC	WATT	LENS	MOUNT
SY703112	12	35	Polycarbonate	Lateral - RH
SY703124	24	35	Polycarbonate	Lateral - RH
SY703136	36	35	Polycarbonate	Lateral - RH
SY703148	48	35	Polycarbonate	Lateral - RH
SY703212	12	35	Polycarbonate	Lateral - LH
SY703224	24	35	Polycarbonate	Lateral - LH
SY703236	36	35	Polycarbonate	Lateral - LH
SY703248	48	35	Polycarbonate	Lateral - LH
SY707312	12	55	Glass	Lateral, swivel base - RH
SY707412	24	55	Glass	Lateral, swivel base - LH
SY707424	12	70	Glass	Lateral, swivel base - RH
SY707524	24	70	Glass	Lateral, swivel base - LH

Pendant/Pedestal Mount

PART #	VDC	WATT	LENS	MOUNT
SY700112	12	35	Polycarbonate	Pendant
SY700124	24	35	Polycarbonate	Pendant
SY700136	36	35	Polycarbonate	Pendant
SY700148	48	35	Polycarbonate	Pendant
SY700212	12	35	Polycarbonate	Pedestal
SY700224	24	35	Polycarbonate	Pedestal
SY700236	36	35	Polycarbonate	Pedestal
SY700248	48	35	Polycarbonate	Pedestal
SY704312	12	55	Glass	Pendant
SY704324	24	70	Glass	Pendant
SY704412	12	55	Glass	Pedestal
SY704424	24	70	Glass	Pedestal
SY714412	12	55	Glass	Pedestal hollow stud
SY714424	24	70	Glass	Pedestal hollow stud

Replacement Parts:

PART #	DESCRIPTION
SY700100	Bulb, 12vdc, 35w
SY700150	Bulb, 24vdc, 35w
SY700200	Bulb, 36vdc, 35w
SY700300	Bulb, 48vdc, 35w
SY700400	Bulb, 12vdc, 55w
SY700500	Bulb, 24vdc, 70w

5X5



Specifications:

Voltage: 12 or 24vdc
 Output Power: 55w or 70w
 Beam Pattern: Flood or spot
 Housing: Black, durable shock resistant polymer
 Lens: Glass
 Size: 5"x5"
 Inclination: Vertical up to 90° up or 30° down

Features:

- Asymmetrical lens directs light to the ground
- Water, dust & vibration resistant
- Vibration dampers in housing
- Adjustable base
- Mounting grommets included
- Warranty: 1 Year

Magnetic Mount

PART #	VDC	WATT	PATTERN
SY709005	12	55	Flood
SY709025	12	55	Spot
SY729005	12	100	Flood
SY729025	12	100	Spot

Pedestal/Pendant/Lateral Mount, Shock & Vibration Resistant

PART #	VDC	WATT	MOUNT	PATTERN
SY718001	12	55	Pedestal	Flood
SY718002	12	55	Lateral - RH	Flood
SY718003	12	55	Lateral - LH	Flood
SY718013	12	55	Pedestal	Spot
SY718051	24	70	Pedestal	Flood
SY728002	24	70	Lateral - RH	Flood
SY728003	24	70	Lateral - LH	Flood

Replacement Parts:

PART #	DESCRIPTION
SY700100	Bulb, 12vdc, 35w
SY700150	Bulb, 24vdc, 35w
SY700200	Bulb, 36vdc, 35w
SY700300	Bulb, 48vdc, 35w
SY700400	Bulb, 12vdc, 55w
SY700500	Bulb, 24vdc, 70w

Pedestal/Pendant/Lateral Mount, Adjustable Base

PART #	VDC	WATT	MOUNT	PATTERN
SY708001	12	55	Pedestal	Flood
SY708013	12	55	Pedestal	Spot
SY708051	24	70	Pedestal	Flood
SY708063	24	70	Pedestal	Spot
SY748030	24	70	Lateral - RH	Spot

3X5 - 2-AXIS MOUNT



SY500212

Specifications:

Voltage: 12vdc

Beam Pattern: Trapezoid

Housing: Black EPDM impact resistant

Size: 3-3/32" H x 5-13/16" W

Mount: 2-axis mounting bracket & hardware

Features:

- Kits include light with guard, L-bracket, switch & fuse/wire assembly
- Warranty: 1 Year

2-Axis Mount, Sealed Beam

PART #	DESCRIPTION
SY500012	12vdc Light
SY500112	12vdc Light & guard
SY500212	12vdc Light kit

Replacement Parts:

PART #	DESCRIPTION
SY360-12	Bulb, 12vdc
SY360-24	Bulb, 24vdc
SY360-36	Bulb, 36vdc
SY360-48	Bulb, 48vdc
SY6000-AMB	Amber lens
SY6000-BLU	Blue lens
SY6000-CLR	Clear lens
SY6000-RED	Red lens
SY500000	Rubber housing kit
SY500110	Guard
SY360100	Bracket, 2" elevation
SY360101	L-Bracket
SY360102	Bracket & shock mount kit
SY350015	Fuse & wire assembly, 15A, 8"
SY353855	Switch & fuse kit
SYH4360	12vdc sealed beam, trapezoid

2-Axis Mount, Bulb

Light Kit			Light & Guard			Light Only		
PART #	VDC	LENS	PART #	VDC	LENS	PART #	VDC	LENS
SY600212	12	Clear	SY600112	12	Clear	SY600012	12	Clear
SY600212-A	12	Amber	SY600112-A	12	Amber	SY600012-A	12	Amber
SY600212-B	12	Blue	SY600112-B	12	Blue	SY600012-B	12	Blue
SY600212-R	12	Red	SY600112-R	12	Red	SY600012-R	12	Red
SY600224	24	Clear	SY600124	24	Clear	SY600024	24	Clear
SY600224-A	24	Amber	SY600124-A	24	Amber	SY600024-A	24	Amber
SY600224-B	24	Blue	SY600124-B	24	Blue	SY600024-B	24	Blue
SY600224-R	24	Red	SY600124-R	24	Red	SY600024-R	24	Red
SY600236	36	Clear	SY600136	36	Clear	SY600036	36	Clear
SY600236-A	36	Amber	SY600136-A	36	Amber	SY600036-A	36	Amber
SY600236-B	36	Blue	SY600136-B	36	Blue	SY600036-B	36	Blue
SY600248	48	Clear	SY600136-R	36	Red	SY600036-R	36	Red
SY600248-A	48	Amber	SY600148	48	Clear	SY600048	48	Clear
SY600248-B	48	Blue	SY600148-A	48	Amber	SY600048-A	48	Amber
SY600248-R	48	Red	SY600148-B	48	Blue	SY600048-B	48	Blue
			SY600148-R	48	Red	SY600048-R	48	Red

PAR 36 - RUBBER, SEALED BEAM



Specifications:
 Voltage: 12vdc
 Beam Pattern: Trapezoid
 Housing: Black EPDM impact resistant
 Size: 5" DIA
 Mount: 2-wire external ground
 Warranty: 1 Year

Light Only	
PART #	DESCRIPTION
STA330012	12vdc Light

Replacement Parts:

PART #	DESCRIPTION
SY4411	12vdc Sealed beam, Par 36, trapezoid
SY4589	24vdc Sealed beam, Par 36, trapezoid
SY4350	36vdc Sealed beam, Par 36, trapezoid
SY4340	48vdc Sealed beam, Par 36, trapezoid
SY280110	Guard for rubber snap-in Par 36
SY280210	Guard for steel Par 36
SY300000	Rubber housing kit for rubber snap-in Par 36
SY350015	Fuse & wire assembly, 15A, 8"
SY353855	Switch & fuse kit
SY360100	Bracket, 2" elevation
SY360101	L-bracket
SY360102	Bracket & shock mount kit
SY360125	Light handle for steel Par 36

PAR 36 - STEEL, SEALED BEAM



SY280212

Specifications:
 Voltage: 12-48vdc
 Beam Pattern: Trapezoid
 Housing: Black painted steel
 Size: 5" DIA
 Mount: Spherical pivot mounting bracket & hardware
 Features:
 - Kits include light with guard, L-bracket, switch & fuse/wire assembly
 - Warranty: 1 Year

Light Only	
PART #	DESCRIPTION
SY280012	12vdc Light
SY280024	24vdc Light
SY280036	36vdc Light
SY280048	48vdc Light

Light & Guard	
PART #	DESCRIPTION
SY280112	12vdc Light & guard
SY280124	24vdc Light & guard
SY280136	36vdc Light & guard
SY280148	48vdc Light & guard

Light Kit	
PART #	DESCRIPTION
SY280212	12vdc Light kit
SY280224	24vdc Light kit
SY280236	36vdc Light kit
SY280248	48vdc Light kit

PAR 36 - RUBBER, SNAP-IN SEALED BEAM



SY300212

Specifications:
 Voltage: 12, 24, 36 or 48vdc
 Beam Pattern: Trapezoid
 Housing: Black EPDM impact resistant
 Size: 5" DIA
 Mount: 2-Axis mounting bracket
 Features:
 - Kits include light with guard, L-bracket, switch & fuse/wire assembly
 - Warranty: 1 Year

Light Only	
PART #	DESCRIPTION
SY300012	12vdc Light
SY300024	24vdc Light
SY300036	36vdc Light
SY300048	48vdc Light

Light & Guard	
PART #	DESCRIPTION
SY300112	12vdc Light & guard
SY300124	24vdc Light & guard
SY300136	36vdc Light & guard
SY300148	48vdc Light & guard

Light Kit	
PART #	DESCRIPTION
SY300212	12vdc Light kit
SY300224	24vdc Light kit
SY300236	36vdc Light kit
SY300248	48vdc Light kit

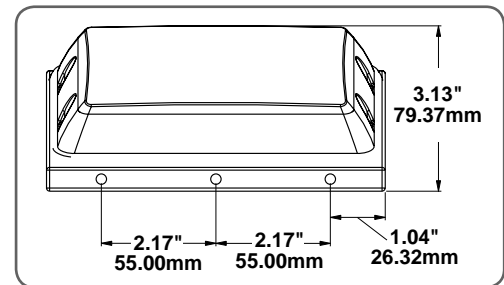
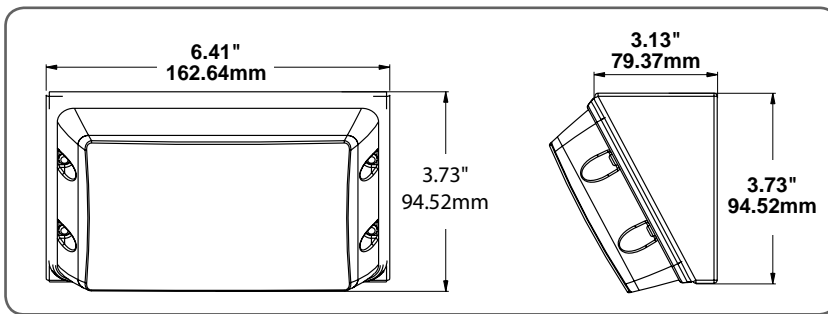
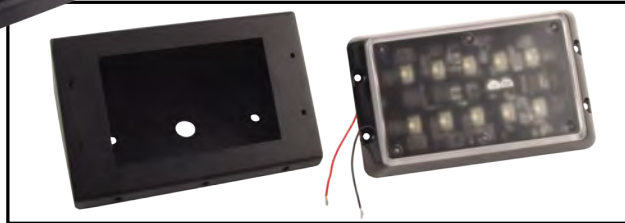
LED



PART #	DESCRIPTION
SYLED-SL10	Scene light, LED, 12-24vdc

Specifications:

- Mount: Aluminum
- Housing: Aluminum
- Voltage: 12-24vdc
- Light Source: 10 LEDs, high intensity
- Light Output: 806 Lumens
- Output: 15.4w
- Current Draw: 1.2A@12.8vdc / 0.6A@24vdc
- Operating Temperature: -40° F to +130° F
- LED View Angle: 90°
- Warranty: 5 Year
- Features:
 - Weatherproof & vibration resistant
 - Reverse polarity protection



Rechargeable Lights

LED



- Lumens: 150
- Dual function rechargeable light lets you switch from intense spot light to wide-angle flood.
- One 5W LED projects a narrow 3° spot beam for up to 8 hours per charge.
- Twenty high-intensity LEDs produce a wide-angle flood light for up to 50 hours per charge.
- 100,000 hour bulb life means long-lasting, reliable light.
- 5-Year warranty on LEDs.
- Maintenance-free LED array creates a clear bright white light.

Features:

- Professional-grade rechargeable battery provides portable, cordless operation.
- Low amp draw conserves battery life. Engineered to prevent deep battery discharge.
- Recyclable 6 volt, 4.5 amp/hour, sealed, lead-acid battery can be recharged 100's of times.
- Built-in overcharge protection and battery condition lights.
- Neoprene-booted weather-proof toggle switches
- Multi-position adjustable base has positive-locking ratchets that hold the light beam in place
- Contoured sure-grip handle accommodates large hands.
- AC charger mounts on wall, plugs into a 110 volt outlet.
- Non-conductive housing in yellow.
- Light includes one rechargeable battery and AC charger.
- Measures 5-1/8" diameter x 9" L

PART #	DESCRIPTION
SRAB09.201LED.Y01	Rechargeable light, LED, spot/flood

SPOT/FLOOD LED

Inner 5 watt LED creates a 3° spot beam that burns for 8 hours per charge.

Outer ring of 20 LEDs projects a wide-angle flood that burns 50 hours per charge



ADJUSTABLE BASE

Multi-position adjustable base holds the light beam in place



SYLEDRC SERIES



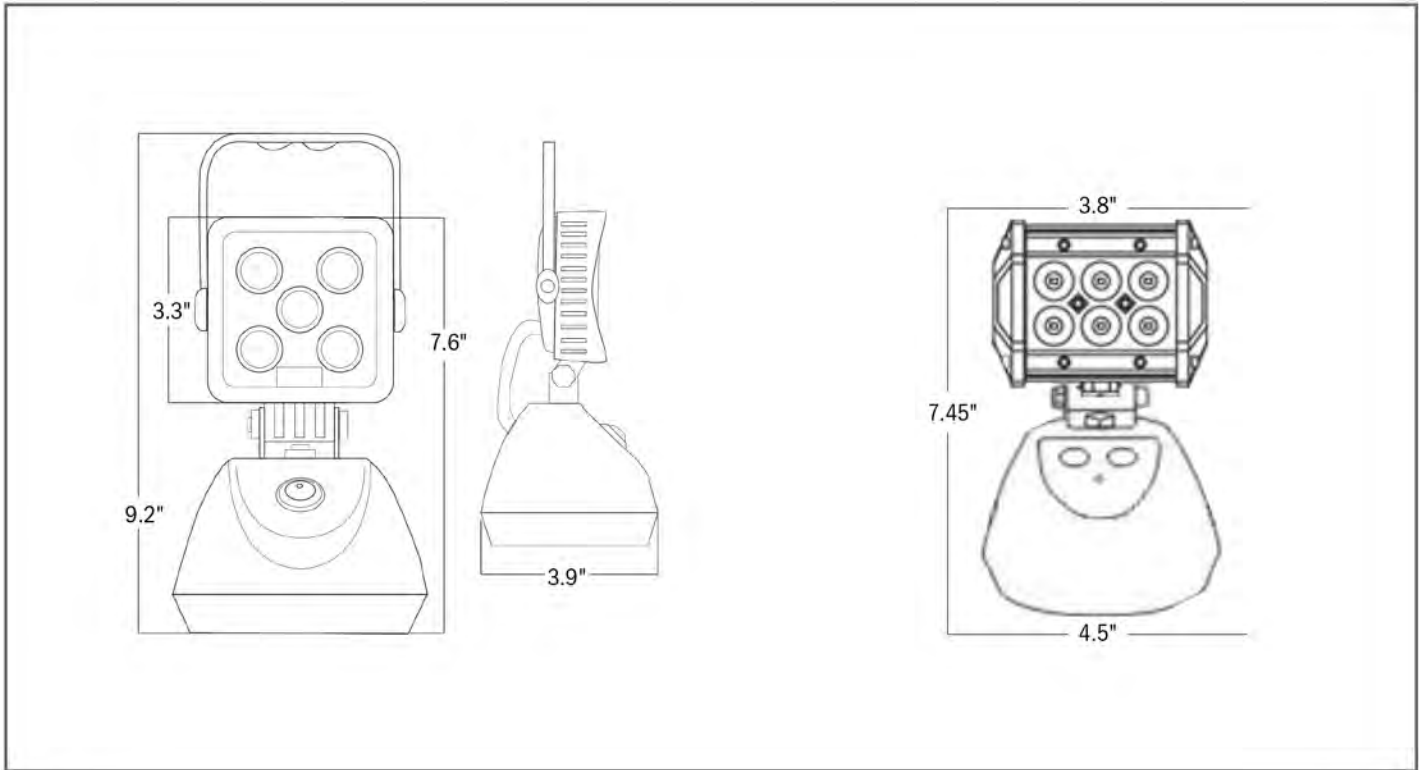
Specifications:

- Voltage: 12-24vdc
- Light Source: 5 LEDs
- Light Output: 600 Lumens
- Output: 15w
- Current Draw: 1.00A@12v / 0.55A@24v
- Beam Pattern: Spot
- Beam Angle: 30°, 60°, and 90°
- Housing: Diecast aluminum alloy
- Lens: Polycarbonate
- Features:
 - 3 Settings: High beam, low beam, warning
 - Charging Time: Less than 7.5 hours
 - Life Span of Battery: Up to 500 charges
 - Low Power dissipation for extended lifespan
 - Maximum Running Time: 3-4 Hours at 100% brightness
 - Magnetic base
 - Rechargeable lithium battery
 - Includes cigarette plug & AC power adaptor

Warranty: 1 Year

Certifications: IP67

PART #	DESCRIPTION
SYLEDRC-600	Rechargeable worklight 600 Lumen
SYLEDRC-1400	Rechargeable worklight 1400 Lumen



SEARCHLIGHTS & SPOTLIGHTS

- ✓ Golight®
- ✓ Night Ray™
- ✓ Unity® Manufacturing Co.

SSI distributes a variety of quality brand name LED, HID and halogen searchlights and spotlights to meet the demands of heavy duty, highway, commercial, utility, construction and emergency vehicles.

Golight® remote control searchlights and spotlights are designed, engineered and manufactured to meet extreme conditions for thousands of possible applications. The unique 370° rotation and 135° tilt reaches the most extreme angles and is easily controlled with the wireless remote. Operators are given total control from up to 100 feet away, saving time by allowing the worker to reposition and maneuver the light directly from within their work area.

Night Ray™ electric power driven searchlights can be mounted anywhere on the vehicle and remotely controlled by an electric joystick switch. The versatile design allows for flood or spot lighting selection and durable construction offers extreme weather protection.

Unity® Manufacturing Co.'s automotive, truck and emergency lighting products include post-mount, roof-mount and handheld spotlights as well as deck lights, fog lights, driving lights and off-road lights. Spotlights are custom ordered to fit your vehicle choose the product then select the options that are right for you. Item #s shown in this catalog is a sampling contact your Sales Rep with the Year, Make and Model of your vehicle to order the correct spotlight and installation kit.



Golight® LED & RADIORAY® LED Remote Control Searchlights



Specifications:

LED technology
Remote controlled operation
Three different remote options
370° Rotation x 135° tilt
Permanent and portable mounting options
U.V. ray and salt water resistant
3A with 12vdc power source (24vdc optional)
Warranty: 3 Year limited

Permanent Mount Models

PART #	REMOTE	COLOR
XR20004	Wireless hand-held remote	White
XR20514	Wireless hand-held remote	Black
XR20204	Wired dash mount remote	White

Golight® LED & Radioray® LED Accessories

PART #	ACCESSORIES	COLOR
XR2020-D	Dash mount hard wired remote	
XR30100	Wireless hand-held remote	
XR10200	Clear top housing	White
XR10251	Clear top housing	Black
XR15202	Permanent mount shoe	White
XR15203	Permanent mount shoe	Black
XR16301	Magnetic mount shoe	White
XR16303	Magnetic mount shoe	Black
XR17920	Security dome	

PORTABLE MODELS - SUCTION CUP & PERMANENT SHOE

PART #	REMOTE	COLOR
XR51494	Wired Remote	Charcoal
XR79004	Wireless Remote	White

PORTABLE MODELS - SUCTION CUP & MAGNETIC SHOE

PART #	REMOTE	COLOR
XR79014	Wireless hand-held remote	White
XR79514	Wireless hand-held remote	Black

Golight® - HID

Golight® STRYKER® H.I.D. Remote Control Searchlights



Specifications:

1 Mile effective beam distance
Remote controlled operation
370° Rotation x 135° tilt
Stainless steel mounting plate system
Integrated 12vdc high-torque motors
3.5A Draw - continual
U.V. ray and salt water resistant
Quick start up time
Warranty: 5 Year Limited / 1 Year Ballast

Permanent Mount Models

PART #	REMOTE	COLOR
XR30001	Wireless hand-held remote	White
XR30061	Wireless hand-held remote	Chrome
XR30511	Wireless hand-held remote	Black
XR30201	Wired dash remote	White
XR30261	Wired dash remote	Chrome
XR30211	Wired dash remote	Black

Golight® Stryker® H.I.D. Accessories

PART #	ACCESSORIES
XR30100	Hand-held wireless remote
XR30200	Dash-mount wireless remote
XR31900	Bulb - H.I.D. 35w

Magnetic Models

PART #	REMOTE	COLOR
XR30003	Wireless hand-held remote	White
XR30063	Wireless hand-held remote	Chrome
XR30513	Wireless hand-held remote	Black

Golight® & Radoray®
Remote Control Searchlights



Specifications:

Cr5 Pentabeam™ technology
Remote controlled operation
Three different remote options
370° Rotation x 135° tilt
Permanent and portable mounting options
U.V. ray and salt water resistant
5.5A with 12v power source (24v optional)
Warranty: 3 Year Limited

Permanent Mount Models

PART #	REMOTE	COLOR
XR2000	Wireless hand-held remote	White
XR2051	Wireless hand-held remote	Black
XR2020	Wired dash mount remote	White
XR2021	Wired dash mount remote	Black
XR2067	Wireless & dash remote	White
XR2049	Wireless & dash remote	Black

PORTABLE MODELS - SUCTION CUP & PERMANENT SHOE

PART #	REMOTE	COLOR
XR5149	Wired remote	Charcoal
XR7900	Wireless remote	White
XR7950	Wireless remote	Black

Golight® & Radoray® Accessories

PART #	ACCESSORIES	COLOR
XR2020-D	Dash mount hard wired remote	Black
XR10200	Clear top housing	White
XR10251	Clear top housing	Black
XR15202	Permanent mount shoe	White
XR15203	Permanent mount shoe	Black
XR16301	Magnetic mount shoe	White
XR16303	Magnetic mount shoe	Black
XR30100	Wireless hand - held remote	
XR17920	Security dome	Clear
XR15444	Led insert	
XR49000	Philips H9 bulb - 65w	
XR18000	Carrying case - nylon	
XR1204	Converter - 110v	Black
XR15320	Snap-on flood lens & bezel	
XR15007	Lens and bezel - IR snap on	
XR15011	Lens - IR snap on	
XR15012	Bezel - for IR snap on lens	
XR15303	Lens	Amber
XR15321	Lens kit - snap on flood	
XR15201	Mount - permanent shoe base	Gray
XR16300	Mount - magnetic shoe base	Gray
XR15304	Rockguard	White
XR2049-D	Control - dash mount	

Golight® & Radoray® Accessories

PART #	ACCESSORIES	FOR MODEL #
XR2020-10	Cord - 10ft	XR2020
XR2020-10X	Extension - 10ft	XR2020
XR2020-20	Cord - 20ft	XR2020
XR2020-20X	Extension - 20ft	XR2020
XR2020-32	Cord - 32ft	XR2020
XR2020-X	Y splitter for 2 remotes 1 light	XR2020
XR2020-Y	Y splitter for 1 remote 2 lights	XR2020
XR2049-10	Cord - 10ft	XR2067
XR2049-10X	Extension - 10ft	XR2067/XR2049
XR2049-20	Cord - 20ft	XR2067/XR2049
XR2049-20X	Extension - 20ft	XR2067/XR2049
XR2049-32	Cord - 32ft	XR2067/XR2049
XR2049-32X	Extension - 32ft	XR2067/XR2049

PORTABLE MODELS - SUCTION CUP & MAGNETIC SHOE

PART #	REMOTE	COLOR
XR7901	Wireless hand-held remote	White
XR7951	Wireless hand-held remote	Black

Golight® Stryker®
Remote Control Searchlights



Specifications:

Cr5 Pentabeam™ II Technology
Remote controlled operation
Three different remote options
370° Rotation x 135° tilt
Stainless steel mounting plate system
Integrated 12vdc high-torque motors
Weatherproof for land and sea applications
U.V. ray and salt water resistant
5.5A with 12v power source (24v optional)
Warranty: 5-Year Limited

GOLIGHT® STRYKER® Accessories

PART #	ACCESSORIES	COLOR
XR30100	Hand-held wireless remote	
XR30200	Dash-mount wireless remote	
XR3020-D	Hard wired dash-mount remote	
XR39000	Philips 9011 bulb - 65w	
XR15305	Rockguard	White
XR15306	Rockguard	Black
XR3020-20	Cord - 20ft - wired	

Permanent Mount Models

PART #	REMOTE	COLOR
XR3000	Wireless hand-held remote	White
XR3006	Wireless hand-held remote	Chrome
XR3051	Wireless hand-held remote	Black
XR3100	Wireless dash mount remote	White
XR3106	Wireless dash mount remote	Chrome
XR3151	Wireless dash mount remote	Black
XR3067	Wireless hand-held & dash remote	White
XR3066	Wireless hand-held & dash remote	Chrome
XR3049	Wireless hand-held & dash remote	Black
XR3020	Wired dash mount remote	White
XR3026	Wired dash mount remote	Chrome
XR3021	Wired dash mount remote	Black

Magnetic Models

PART #	REMOTE	COLOR
XR30002	Wireless hand-held remote	White
XR30062	Wireless hand-held remote	Chrome
XR30512	Wireless hand-held remote	Black

Go Bee™ Search/Navigation Light



Specifications:
 Remote controlled operation with 360° rotation x 90° tilt
 12-inch stanchion mount
 Fits 2-prong and 3-prong bow socket
 Programmable wireless remote
 Searchlight with integral navigational light
 U.V. ray and salt water resistant
 Heavy duty nylon storage bag
 Warranty: 1 Year

Go Bee™ Search/Navigation Light

PART #	REMOTE	COLOR
XR2151	Wireless remote	Black

Go Bee™ Search/Navigation Light Accessories

PART #	ACCESSORIES
XR2221	Batteries - 3v CR 2032
XR20100	Remote - wireless
XR29000	Bulb - 55w

Thermal Imaging System

Golight® Helios™ Thermal Imaging System



Specifications:
 Detects as "white hot" and "black cold"
 320 x 240 High resolution camera
 Three different remote options
 370° Rotation x 135° tilt
 Stainless steel mounting plate system
 Integrated 12vdc high-torque motors
 Weatherproof for land and sea applications
 Internal core heater prevents icing
 4.5A with 12v power source (24v optional)
 Warranty: 1 Year Limited

Golight® Helios™ Accessories

PART #	ACCESSORIES
XR30100	Hand-held wireless remote
XR30200	Dash-mount wireless remote
XR3020-D	Hard wired dash-mount remote

Permanent Mount

PART #	REMOTE	COLOR
XR3367	Dual wireless remote	White
XR3349	Dual wireless remote	Black
XR3320	Wired dash remote	White
XR3321	Wired dash remote	Black

Portable

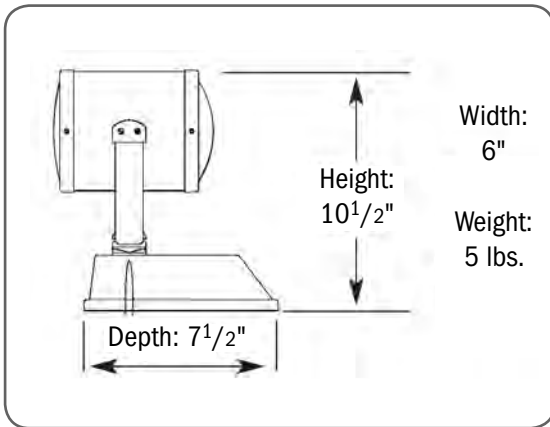
PART #	REMOTE	COLOR
XR33672	Dual wireless remote	White
XR33492	Dual wireless remote	Black

SY475 & SY675 SERIES



Specifications:

Mount: Permanent
 Housing: Black plastic
 Voltage: 12vdc
 Rotation/Sweep: 370° Horizontal rotation; 350° vertical sweep
 Bulb: Dual filament converts flood light to spot light
 Par 36, 50,000cp flood/100,000cp spot (SY475-20)
 Par 46, 50,000cp flood/200,000cp spot (SY675-20)
 Size: 7.0"L x 6.5"W x 10.0" H
 Features:
 -Weather resistant
 -Remote control by electric switch panel
 Warranty: 5 Year Limited



PART #	DESCRIPTION
SY475-20	Spot/flood light, Par 36, control panel, 20' wiring harness
SY675-20	Spot/flood light, Par 46, control panel, 20' wiring harness

Ordering Spotlights?

Spotlight Vehicle Applications are made by selecting MAKE, YEAR and MODEL of your vehicle. Spotlights and installation kits are sold separately. Contact your Sales Rep to order.

6" ROUND



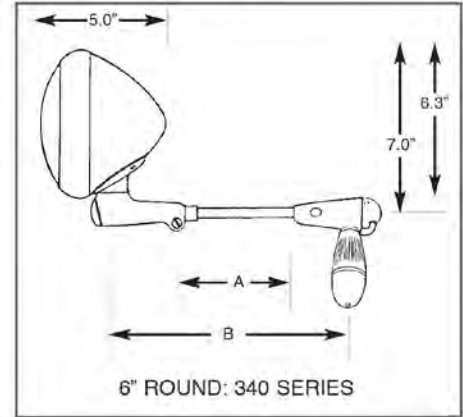
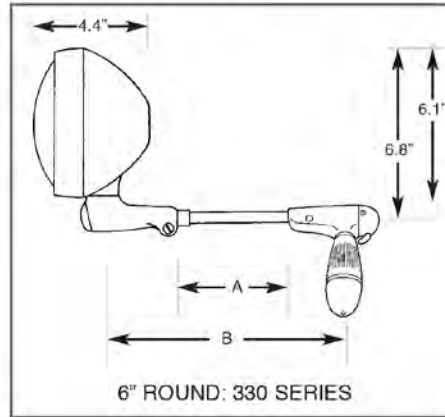
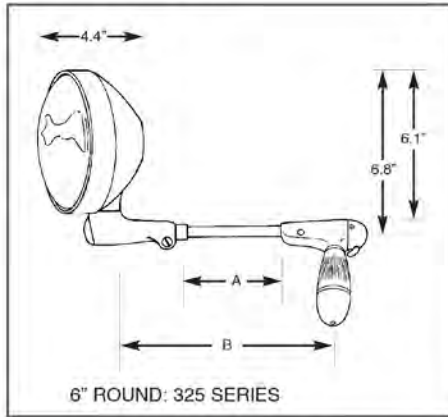
Series: The BEAM® 325
Housing Finish: Chrome or black
Watt: 50w
Lamp Life: 100 Hours
Candlepower: 160,000
Warranty: 5 Year Limited
Certifications: SAE J591



Series: The BEAM® 330
Housing Finish: Chrome or black
Watt: 100w
Lamp Life: 100 Hours
Candlepower: 245,000
Warranty: 5 Year Limited
Certifications: SAE J591



Series: Unity® HID 340
Housing Finish: Chrome
Watt: 35w
Lamp Life: 5,000 Hours
Candlepower: 600,000
Warranty: 5 Year Limited
Certifications: SAE J591



PART #*	HOUSING	A LENGTH	B LENGTH
YJ201040	Chrome		
YJ201041	Chrome		
YJ203020	Chrome		
YJ203021	Chrome		
YJ206000	Chrome		
YJ207000	Chrome		
YJ210000-0002	Black		
YJ210020	Chrome		
YJ211000	Chrome		
YJ325A	Chrome	6.500"	12.000"
YJ325CL	Chrome	10.000"	15.500"
YJ325CL-0002	Black	10.000"	15.500"
YJ325DC	Chrome	10.500"	16.0"
YJ325G	Chrome	14.000"	19.500"
YJ325GM-0002	Black	9.000"	14.500"
YJ325H	Chrome	5.875"	11.375"
YJ325K	Chrome	7.625"	12.500"
YJ325O	Chrome	8.000"	13.500"
YJ325P	Chrome	12.625"	17.500"
YJ325V	Chrome	7.500"	13.000"
YJ325V-0002	Black	7.500"	13.000"
YJ94012-0002	Black		
YJ97040-0002	Black		
YJ99001-0002	Black		

PART #*	HOUSING	A LENGTH	B LENGTH
YJ201050	Chrome		
YJ206010	Chrome		
YJ211010	Chrome		
YJ211030-0002	Black		
YJ330CL-0002	Black	10.000"	15.500"
YJ330GM	Chrome	9.000"	14.500"
YJ330H	Chrome	5.875"	11.375"
YJ330P	Chrome	12.625"	17.500"
YJ330V-0002	Black	7.500"	13.000"

PART #*	HOUSING	A LENGTH	B LENGTH
YJ340CL	Chrome	10.000"	15.500"

INSTALLATION KITS (Sold Separately)

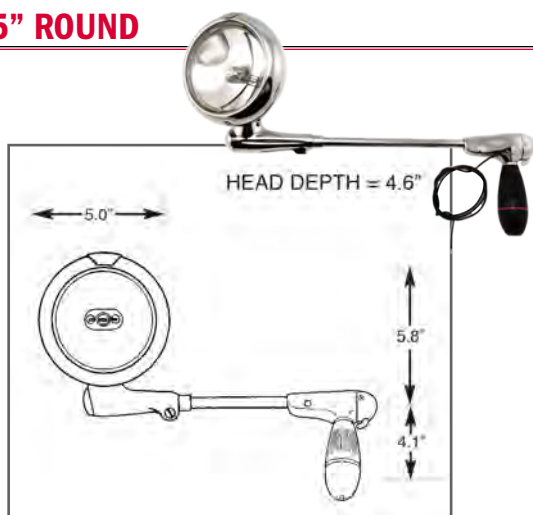
Kits include the mounting bracket, installation instructions, templates, and other additional items needed to install the spotlight.



PART #*	PART #*
YJ#1	YJ26
YJ206RH	YJ27
YJ243	YJ27RH
YJ243RH	JY5556
YJ248	YJ258
YJ248RH	YJ259
YJ253	YJ189RH
YJ254	YJ261
YJ254RH	YJ189
YJ257	YJ229

*Contact your sales rep for part #'s not listed

5" ROUND



Series: The BEAM® 250
 Housing Finish: Chrome
 Watt: 50w
 Lamp Life: 100 Hours
 Candlepower: 100,000
 Warranty: 5 Year Limited
Certifications: SAE J591

PART #*	HOUSING	A	B
		LENGTH	LENGTH
YJ250V-H	Chrome	7.5"	13.0"

4X6"



Series The BEAM® 264
 Housing Finish: Chrome
 Watt: 50w
 Lamp Life: 100 Hours
 Candlepower: 100,000
 Warranty: 5 Year Limited
Certifications: SAE J591

PART #*	HOUSING
YJ201047	Chrome

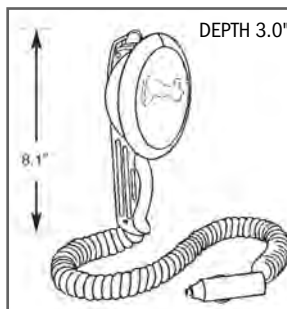
6" ROUND ROOFLIGHTS

PART #*	DESCRIPTION
(Chrome) YJ375	Series: THE BEAM® Housing: Chrome or black Beam: Clear Watt: 50w Lamp Life: 100 HRS Warranty: 5 Year Limited Candlepower: 160,000
(Black) YJ375-0002	
(Chrome) YJ380	Series: THE BEAM® Housing: Chrome or black Beam: Clear Watt: 100w Lamp Life: 100 HRS Warranty: 5 Year Limited Candlepower: 245,000
(Black) YJ380-0002	



HANDHELD SPOTLIGHTS

PART #*	DESCRIPTION
(10' Straight cord) YJ772	Series: UNILITE® 772 Housing: Chrome Beam: Clear Watt: 35w Lamp Life: 300 HRS Candlepower: 33,000 Warranty: 5 Year Limited Switch: STD on/off with cig plug
(12' Coiled cord) YJ772K12	
(10' Straight cord) YJ772-H	Series: UNILITE® 772 Housing: Chrome Beam: Clear halogen Watt: 50w Lamp Life: 100 HRS Candlepower: 100,000 Warranty: 5 Year Limited Switch: STD on/off with cig plug
(12' Coiled cord) YJ772K12-H	




*Contact your sales representative for part numbers that are not listed

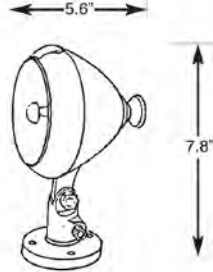
5" ROUND DECKLIGHTS

PART #*	DESCRIPTION
YJ5AG-S-4700	 <p>Series: THE BEAM® Housing: Chrome Beam: Clear spot & flood Watt: 100w Lamp Life: 25 Hours Candlepower: 72,000/30,000 Bracket: 2" Square bracket Switch: 3-Way switch</p>
YJ5AG-C	 <p>Series: THE BEAM® Housing: Chrome Beam: Clear spot Watt: 30w Lamp Life: 100 Hours Candlepower: 50,000 Bracket: Clamp bracket</p>

6" ROUND DECKLIGHTS

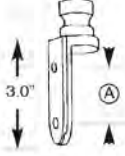
PART #*	DESCRIPTION
YJAG-M-4007	 <p>Series: THE BEAM® Housing: Chrome Beam: Clear spot & flood Watt: 100w Lamp Life: 25 Hours Candlepower: 200,000/50,000 Bracket: Magnetic Switch: 3-Way</p>
YJAG-R-4007	 <p>Series: THE BEAM® Housing: Chrome Beam: Clear spot & flood Watt: 100w Lamp Life: 25 Hours Candlepower: 200,000/50,000 Bracket: 3" Round Switch: 3-Way</p>
YJAG-R-4413	 <p>Series: THE BEAM® Housing: Chrome Beam: Clear flood Watt: 35w Lamp Life: 300 Hours Candlepower: 1,100 Bracket: 3" Round</p>
YJAG-R-7682	 <p>Series: THE BEAM® Housing: Chrome Beam: Clear halogen spot Watt: 100w Lamp Life: 100 Hours Candlepower: 245,000 Bracket: 3" Round</p>
YJAG-R-H	 <p>Series: THE BEAM® Housing: Chrome Beam: Clear halogen spot Watt: 50w Lamp Life: 100 Hours Candlepower: 160,000 Bracket: 3" Round</p>
YJAG-R-H7609	 <p>Series: THE BEAM® Housing: Chrome Beam: Clear flood Watt: 50w Lamp Life: 400 Hours Candlepower: 2,200 Bracket: 3" Round</p>
YJAG-S-4413	 <p>Series: THE BEAM® Housing: Chrome Beam: Clear flood Watt: 35w Lamp Life: 300 Hours Candlepower: 1,100 Bracket: 2" Square</p>

*Contact your sales representative for part numbers that are not listed



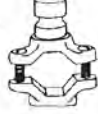
5.8"
7.8"

5AG SERIES: 5" ROUND



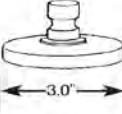
3.0"
A = 1 1/2"

ANGLE BRACKET
#7039: Fits any flat vertical surface



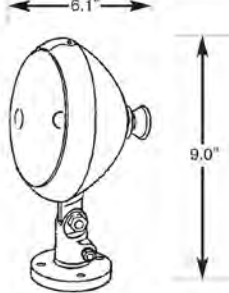
1 1/8" - 1 1/2" O.D. pipe

CLAMP BRACKET
#7038: Fits




3.0"

MAGNETIC BRACKET
#7003:
95 lb. Pull Rating

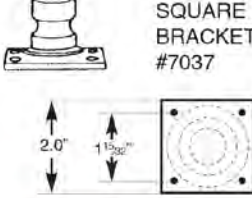


6.1"
9.0"

AG SERIES: 6" ROUND



ROUND BRACKET
#7036



2.0"
1 1/2"

SQUARE BRACKET
#7037

SAFE-T-ALERT®

- ✓ Backup Alarms
- ✓ Horns
- ✓ Alarms & Bells

From the design of a universal fit backup alarm to the design of a custom application for an OEM, Superior Signals maintains the same high standard from design through production. Safe-T-Alert backup alarms feature epoxy encapsulated circuit boards to protect against extreme weather conditions.

Whether at a construction site or a residential area, self-adjusting alarms will adjust to necessary sound levels while meeting safety requirements.



BACK-UP ALARMS

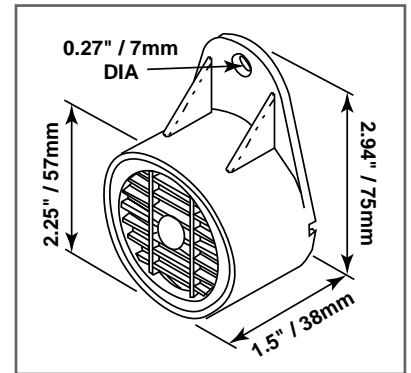
MODEL	OPTIONS	VOLTAGE	DECIBELS	SIZE	A.A.D	PP	S.P.(V)	MOUNTING		CONFORMS TO:		
								V	U	SAE J994	CUL / UL	CE
1000 SERIES  w/ wire leads		12-24vdc	85	2.25"W x 1.50"D x 2.94"H	0.25	Y	NO	*				*
		12vdc	92	2.25"W x 1.50"D x 2.94"H	0.35	Y	NO	*				*
2000 SERIES  w/ studs	W	12-24vdc	87	4.00"W x 1.62"D x 2.73"H	<0.60	Y	+100/-400	*		D	*	*
	W, -G	12-80vdc	87	4.00"W x 1.62"D x 2.73"H	<0.60	Y	+290/-400	*		D	*	*
	W, -G	12-24vdc	97	4.00"W x 1.62"D x 2.73"H	<0.60	Y	+100/-400	*		C	*	*
	W, -G	12-48vdc	97	4.00"W x 1.62"D x 2.73"H	<0.60	Y	+100/-400	*		C	*	*
	W	12-80vdc	97	4.00"W x 1.62"D x 2.73"H	<0.60	Y	+290/-400	*		C	*	*
	W, -G	12-24vdc	102	4.00"W x 1.62"D x 2.73"H	<0.60	Y	+100/-400	*			*	*
2100 SERIES  w/ wire leads		12-24vdc	97	4.25"W x 1.62"D x 2.74"H	<0.60	Y	+100/-400	*		C	*	*
		12-24vdc	102	4.25"W x 1.62"D x 2.74"H	<0.60	Y	+100/-400	*			*	*
2200 SERIES  w/ wire leads		12-24vdc	107	4.25"W x 1.62"D x 2.74"H	<0.80	Y	+100/-400		*	B	*	*
2500 SERIES  w/ studs	W	12-24vdc	87	2.62"W x 1.62"D x 3.92"H	<0.60	Y	+100/-400	*		D	*	*
		12-80vdc	87	2.62"W x 1.62"D x 3.92"H	<0.60	Y	+100/-400	*		D	*	*
	W	12-24vdc	97	2.62"W x 1.62"D x 3.92"H	<0.60	Y	+100/-400	*		C	*	*
	W	12-48vdc	97	2.62"W x 1.62"D x 3.92"H	<0.60	Y	+100/-400	*		C	*	*
		12-24vdc	97	2.62"W x 1.62"D x 3.92"H	<0.60	Y	+100/-400	*		C	*	*
	W	12-24vdc	102	2.62"W x 1.62"D x 3.92"H	<0.60	Y	+100/-400	*			*	*
3200 SERIES  w/ studs		12-24vdc	97	5.00"W x 3.00"D x 2.78"H	<0.60	Y	+100/-400		*	C	*	*
		12-24vdc	102	5.00"W x 3.00"D x 2.78"H	<0.60	Y	+100/-400		*		*	*
	W	12-24vdc	107	5.00"W x 3.00"D x 2.78"H	<0.60	Y	+100/-400		*	B	*	*
3500 SERIES  w/ studs		12-24vdc	82-107**	5.00"W x 4.00"D x 3.11"H	<0.80	Y	+100/-400		*		*	*
		12-24vdc	87-112**	5.00"W x 4.00"D x 3.11"H	<0.80	Y	+100/-400		*		*	*
		12-24vdc	97-112**	5.00"W x 4.00"D x 3.11"H	<0.80	Y	+100/-400		*		*	*
		12-24vdc	107	5.00"W x 4.00"D x 3.11"H	<0.80	Y	+100/-400		*	B	*	*
		12-24vdc	112	5.00"W x 4.00"D x 3.11"H	<0.80	Y	+100/-400		*	A	*	*
		12-36vdc	112	5.00"W x 4.00"D x 3.11"H	<0.80	Y	+100/-400		*	A	*	*
		12-48vdc	82-107**	5.00"W x 4.00"D x 3.11"H	<0.80	Y	+100/-400		*		*	*
4000 SERIES  w/ studs		12-24vdc	112	7.25"W x 4.00"D x 3.25"H	<0.80	Y	+100/-400	*		A	*	*
		12-24vdc	97-112**	7.25"W x 4.00"D x 3.25"H	<0.80	Y	+100/-400	*			*	*
5000 SERIES  w/ wire leads		12-48vdc	77-97**	4.30"DIA x 1.63"D	<0.60	Y	+100/-400	*			*	*
		12-24vdc	77-102**	4.30"DIA x 1.63"D	<0.60	Y	+100/-400	*			*	*
	-P	12-24vdc	97	4.30"DIA x 1.63"D	<0.60	Y	+100/-400	*		C	*	*
		12-24vdc	102	4.30"DIA x 1.63"D	<0.60	Y	+100/-400	*			*	*
		12-24vdc	107	4.30"DIA x 1.63"D	<0.60	Y	+100/-400	*		B	*	*

** Self adjusting alarms All SAFE-T-ALERT® Back-up alarms are steam cleanable and feature a 2 year warranty
A.A.D. (Average Amp Draw), PP (Polarity Protected), S.P.(V) (Spike Protected(V)), Mounting V. (Vertical) U. (Universal)
Connection options: W (with wire leads), -G (with ground clip), -P (with plug)

1000 SERIES



Specifications:
 Voltage: 12-24 or 12vdc
 Decibels: 85 or 92dB
 Size: 2.25" w x 1.50" d x 2.94" h
 Average Amp Draw: 0.25A
 Polarity Protected: Yes
 Spike Protected (V): No
 Mounting: Vertical
 Features:
 -Epoxy encapsulated circuit board
 -With wire leads
 Warranty: 2 Year
Certifications: CE

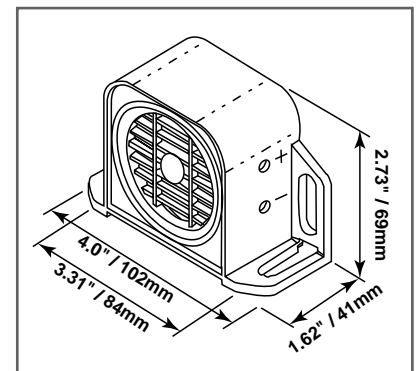


PART #	VOLTAGE / DECIBELS
STA10302W	12-24VDC / 85dB
STA10400W	12VDC / 92dB

2000 SERIES



Specifications:
 Voltage: 12-24, 12-48 or 12-80vdc
 Decibels: 87, 77-97, 77-102, 97, or 102dB
 Size: 4.00" w x 1.62" d x 2.73" h
 Average Amp Draw: <0.6A
 Polarity Protected: Yes
 Spike Protected (V): +100/-400 (12-24 & 12-48vdc units) +290/-400 (12-80vdc Units)
 Mounting: Universal
 Features:
 -Epoxy encapsulated circuit board
 -Optional wire leads or ground clip
 Warranty: 2 Year
Certifications: UL approved, CE, SAE J994 Type D (87dB Units), SAE J994 Type C (97dB Units)



PART #	VOLTAGE / DECIBELS
STA20302	12-24vdc / 87dB
STA20302W	12-24vdc / 87dB with wire leads
STA20307	12-80vdc / 87dB
STA20307W	12-80vdc / 87dB with wire leads
STA20307-G	12-80vdc / 87dB with ground clip
STA20502	12-24vdc / 97dB
STA20502W	12-24vdc / 97dB with wire leads
STA20502-G	12-24vdc / 97dB with ground clip

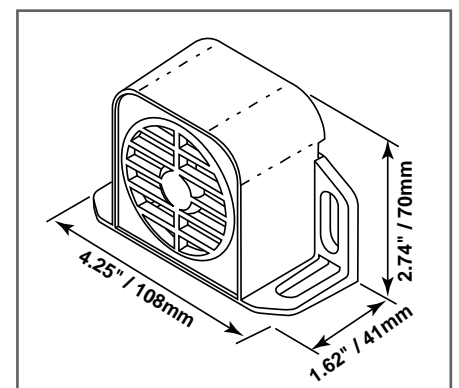
PART #	VOLTAGE / DECIBELS
STA20504	12-48vdc / 97dB
STA20504W	12-48vdc / 97dB with wire leads
STA20504-G	12-48vdc / 97dB with ground clip
STA20507	12-80vdc / 97dB
STA20507W	12-80vdc / 97dB with wire leads
STA20602	12-24vdc / 102dB
STA20602W	12-24vdc / 102dB with wire leads
STA20602-G	12-24vdc / 102dB with ground clip

PART #	VOLTAGE / DECIBELS
Self-Adjusting	
STA20154A	12-48vdc / 77-97dB
STA20162A	12-24vdc / 77-102dB

2100 SERIES



Specifications:
 Voltage: 12-24vdc
 Decibels: 97 or 102dB
 Size: 4.25" w x 1.62" d x 2.74" h
 Average Amp Draw: <0.6A
 Polarity Protected: Yes
 Spike Protected (V): +100/-400
 Mounting: Universal
 Housing: Aluminum diecast
 Features:
 -Epoxy encapsulated circuit board
 -With wire leads
 Warranty: 2 Year
Certifications: UL approved, CE, SAE J994 Type C (97dB units)



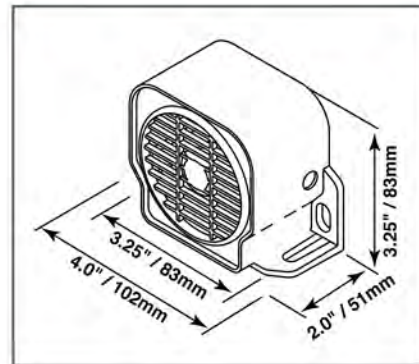
PART #	DECIBELS
STA21502W	97dB
STA21602W	102dB

2200 SERIES



PART #
STA22702W

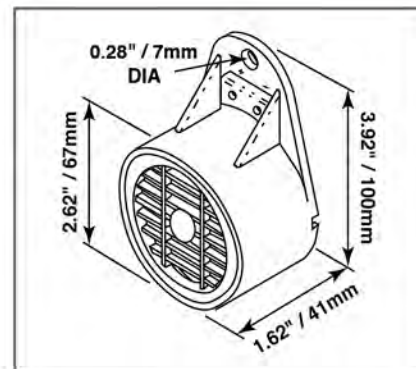
Specifications:
 Voltage: 12-24vdc
 Decibels: 107dB
 Size: 4.25" w x 1.62" d x 2.74" h
 Average Amp Draw: <0.8A
 Polarity Protected: Yes
 Spike Protected (V): +100/-400
 Mounting: Universal
Features:
 -Epoxy encapsulated circuit board
 -With wire leads
Warranty: 2 Year
Certifications: UL approved, CE, SAE J994 Type B (107dB units)



2500 SERIES



Specifications:
 Voltage: 12-24 or 12-48 or 12-80vdc
 Decibels: 89, 97, or 102dB
 Size: 2.62" w x 1.62" d x 3.92" h
 Average Amp Draw: <0.6A
 Polarity Protected: Yes
 Spike Protected (V): +100/-400
 Mounting: Vertical
Features:
 -Epoxy encapsulated circuit board
 -Optional wire leads
Warranty: 2 Year
Certifications: UL approved, CE, SAE J994 Type D (87dB units), SAE J994 Type C (97dB units)



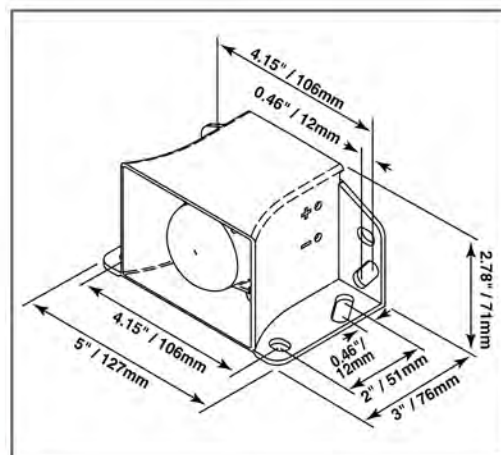
PART #	VOLTAGE / DECIBELS
STA25302	12-24vdc / 87dB
STA25302W	12-24vdc / 87dB with wire leads
STA25307	12-80vdc / 87dB
STA25502	12-24vdc / 97dB
STA25502W	12-24vdc / 97dB with wire leads

PART #	VOLTAGE / DECIBELS
STA25504	12-48vdc / 97dB
STA25504W	12-48vdc / 97dB with wire leads
STA25507	12-80vdc / 97dB
STA25602	12-24vdc / 102dB
STA25602W	12-24vdc / 102dB with wire leads

3200 SERIES



Specifications:
 Voltage: 12-24, 12-36vdc
 Decibels: 97, 102, 107dB
 Size: 5.00" w x 3.00" d x 2.78" h
 Average Amp Draw: <0.6A
 Polarity Protected: Yes
 Spike Protected (V): +100/-400
 Mounting: Universal
Features:
 -Epoxy encapsulated circuit board
 -Optional wire leads
Warranty: 2 Year
Certifications: UL approved, SAE J994 Type C (97dB units), SAE J994 Type B (107dB units)



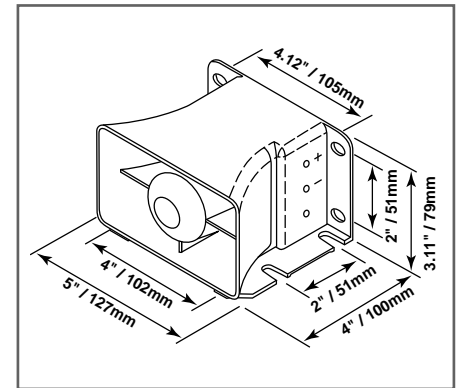
PART #	VOLTAGE / DECIBELS
STA32502	12-24vdc / 97dB
STA32602	12-24vdc / 102dB
STA32702	12-24vdc / 107dB

PART #	VOLTAGE / DECIBELS
STA32702W	12-24vdc / 107dB with wire leads
STA32703W	12-36vdc / 107dB with wire leads

3500 SERIES



Specifications:
 Voltage: 12-24, 12-36, 12-48vdc
 Decibels: 87-107, 87-112, 107, 97-112 or 112dB
 Size: 5.00" w x 4.00" d x 3.11" h
 Average Amp Draw: <0.8A
 Polarity Protected: Yes
 Spike Protected (V): +100/-400
 Mounting: Universal
Features:
 -Epoxy encapsulated circuit board
 Warranty: 2 Year
Certifications: UL approved, SAE J994 Type A (112dB units), SAE J994 Type B (107dB units)



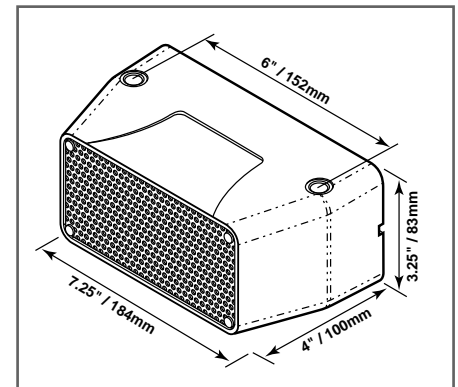
PART #	VOLTAGE / DECIBELS
Self-Adjusting	
STA35272A	12-24vdc / 82-107dB
STA35382A	12-24vdc / 87-112dB with wire leads
STA35582A	12-24vdc / 97-112dB
STA35274A	12-48vdc / 82-107dB with wire leads

PART #	VOLTAGE / DECIBELS
STA35373	12-36vdc / 87-107dB
STA35802	12-24vdc / 112dB
STA35803	12-36vdc / 112dB
STA35702	12-24vdc / 107dB

4000 SERIES



Specifications:
 Voltage: 12-24vdc
 Decibels: 97-112, 112dB
 Size: 7.25" w x 4.00" d x 3.25" h
 Average Amp Draw: <0.8A
 Polarity Protected: Yes
 Spike Protected (V): +100/-400
 Mounting: Vertical
Features:
 -Epoxy encapsulated circuit board
 Warranty: 2 Year
Certifications: UL approved, CE, SAE J994 Type A (112dB units)



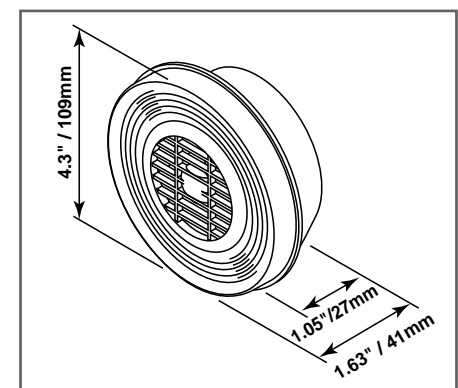
PART #	VOLTAGE / DECIBELS
Self-Adjusting	
STA40582A	12-24vdc / 97-112dB

PART #	VOLTAGE / DECIBELS
STA40802	12-24vdc / 112dB

5000 SERIES



Specifications:
 Voltage: 12-24 or 12-48vdc
 Decibels: 77-97, 77-102, 97, 102, or 107dB
 Size: 4.30" DIA x 1.63" d
 Average Amp Draw: <0.6A
 Polarity Protected: Yes
 Spike Protected (V): +100/-400
 Mounting: Vertical
Features:
 -Epoxy encapsulated circuit board
 -With wire leads
 Warranty: 2 Year
Certifications: UL approved, CE, SAE J994 Type C (97dB units), SAE J994 Type B (107dB units)



PART #	VOLTAGE / DECIBELS
Self-Adjusting	
STA50154AW	12-48vdc / 77-97dB
STA50162AW	12-24vdc / 77-102dB

PART #	VOLTAGE / DECIBELS
STA50502W	12-24vdc / 97dB
STA50502W-P	12-24vdc / 97dB, with plug
STA50602W	12-24vdc / 102dB
STA50702W	12-24vdc / 107dB

Backup Alarms - Dual Function

2000 SERIES



PART #	DECIBELS
STA20502DW	97dB
STA20602DW	102dB

Specifications:

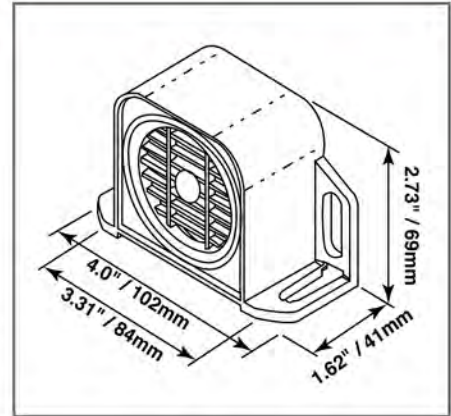
Voltage: 12-24vdc
 Decibels: 97 or 102dB
 Size: 4.00" w x 1.62" d x 2.73" h
 Average Amp Draw: <0.6A
 Polarity Protected: Yes
 Spike Protected (V): +100/-400
 Mounting: Universal

Features:

- Epoxy encapsulated circuit board
- Alarm produces two sounds; standard back-up alarm when power is supplied to red positive wire and alternating dual tone when power is supplied to green positive wire

Warranty: 2 Year

Certifications: UL approved, CE, SAE J994 Type C (97dB units)



Backup Alarms - Dual Tone

2000 SERIES



PART #	DECIBELS
STA20102DT	77 dB
STA20502DT-G	97 dB, with ground clip

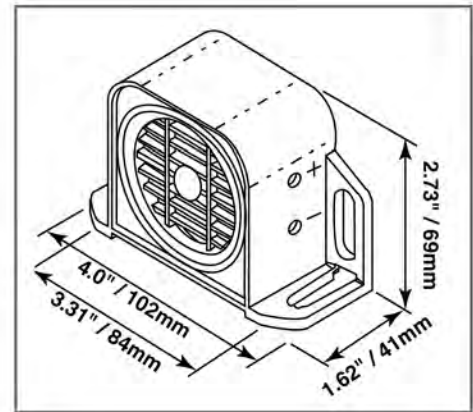
Specifications:

Voltage: 12-24vdc
 Decibels: 77 or 97dB dual tone
 Tone: 1300Hz - 1100Hz typical alternating
 Size: 4.00" w x 1.62" d x 2.73" h
 Mounting: Universal

Features:

- Epoxy encapsulated circuit board
- Warranty: 2 Year

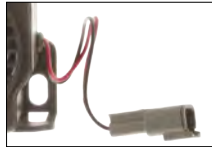
Certifications: UL approved



2200 SERIES



w/ wire leads



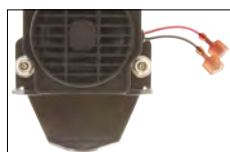
w/Deutsch connector



w/ amp connector



w/spade connector

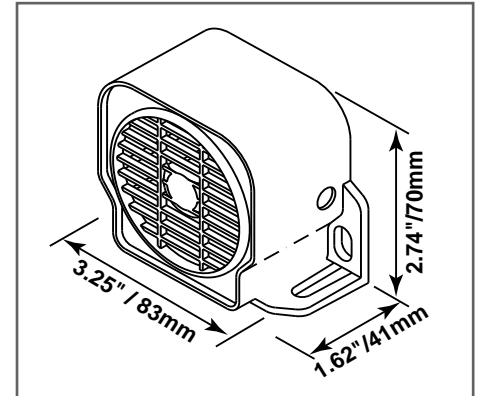


w/ mounting bracket

Specifications:

Voltage: 12-48vdc
 Decibels: 107dB
 Pulse Rate: Continuous tone
 Size: 3.25" w x 1.62" d x 2.74" h
 Housing: Black ABS plastic
 Mounting: Universal
 Features:

-Epoxy encapsulated circuit board
 Warranty: 1 Year
Certifications: UL approved, CE, SAE J1105 Type L



PART #	DESCRIPTION
STA22704HW	With wires
STA22704HW-AMP	With AMP connector
STA22704HW-BK	With mounting bracket
STA22704HW-DTM	With Deutsch connector
STA22704HW-SPD	With Spade connector

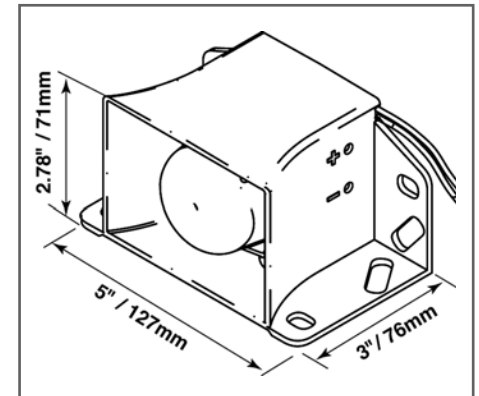
3200 SERIES



Specifications:

Voltage: 12-48vdc
 Decibels: 107dB
 Pulse Rate: Continuous tone
 Size: 5.00" w x 3.00" d x 2.78" h
 Housing: Black ABS plastic
 Mounting: Universal
 Features:

-Epoxy encapsulated circuit board
 Warranty: 1 Year
Certifications: UL approved, CE, SAE J1105 Type L



PART #	DECIBELS
STA32704HW	107dB, with wires

Electronic Horns

SYE SERIES



SYE12VLT

SYE100
 SYE109
 SYE118

Specifications:

Pulse Rate: Continuous tone
 Housing: Metal with black powder coating
 Mounting: Bracket included
 Features:
 -Expected life: 1 Million cycles
 Warranty: 1 Year

PART #	VOLTAGE	DECIBELS	SIZE	TERMINALS	CONFORMS TO
SYE12VLT	12vdc	105-115dB	3.6" DIA	2	
SYE100	12vdc	105-115dB	3 1/2" DIA	2	UL
SYE109	24-48vdc	105-118dB	3 1/2" DIA	2	UL
SYE118	72-80vdc	105-118dB	3 1/2" DIA	2	UL

Industrial Horns

LIGHT DUTY



Specifications:
Decibels: 110dB
Size: 4 1/4" DIA
Warranty: 1 Year

PART #	VOLTAGE	CERTIFICATIONS
SY113	12VDC	
SY115	24VDC	
SY110	36-48VDC	
SY118	72-80VDC	

HEAVY DUTY



Specifications:
Decibels: 120dB
Size: 5" DIA
Warranty: 1 Year

PART #	VOLTAGE	CERTIFICATIONS
SY100	12VDC	
SY101	24VDC	
SY125	36VDC	
SY105	36-48VDC	
SY103	48VDC	

SY102

Voltage: 36VDC
Decibels: 110dB
Terminals: 2
Size: 5" DIA



SY106

Voltage: 48VDC
Decibels: 115dB
Terminals: 2
Size: 3 7/16" DIA



SY107

Voltage: 12-48VDC
Decibels: 110dB
Terminals: 2
Size: 4 5/8" o.d.



SY108

Voltage: 12VDC
Decibels: 116dB
Terminals: 1
Size: 4" DIA



SY109

Voltage: 24-48VDC
Decibels: 116dB
Size: 3 1/2" DIA



SY111

Voltage: 12VDC
Decibels: 110dB
Terminals: 1
Size: 4 1/4" DIA



SY112

Voltage: 12VDC
Decibels: 107dB
Terminals: 2
Size: 4" DIA



SY114

Voltage: 24VDC
Decibels: 108dB
Terminals: 2
Size: 4" DIA



SY116

Voltage: 36-48VDC
Decibels: 104-114dB
Terminals: 2
Size: 3 7/8" DIA



SY117

Voltage: 24VDC
Decibels: 110dB
Terminals: 2
Size: 3 1/2" DIA



SY119

Voltage: 36-48VDC
Decibels: 105dB
Terminals: 2
Size: 3 7/8" DIA



SY120

Voltage: 72-80VDC
Decibels: 105dB
Terminals: 2
Size: 3 7/8" DIA



SY121

Voltage: 12VDC
Decibels: 110dB
Terminals: 2
Size: 3 1/2" DIA



Alarms & Bells

BACKUP ALERT

Decibels: 87dB



PART #	DESCRIPTION
SY1156	Fits vehicles using 1156 - 1073 - S1076 - S1141 bulbs
SY3156	Fits vehicles using 3156 - 3157 - 3057 bulbs

MOTION ALARM

Voltage: 6-28VDC
Decibels: 68-80dB



PART #	DESCRIPTION
SYSW01	ABS plastic motion alarm

BACKUP BELL

Decibels: 87, 105dB
Size: 6" or 8" DIA

Features:

- Sounds at every 1/4 turn for 6" DIA bell or 1/2 turn for 8" DIA bell
- Activated by reverse motion
- Easy right wheel mounting
- No wires, switches or springs to wear out
- Zinc plated 10 gauge steel



PART #	DECIBELS / SIZE
SY660	87dB / 6" Bell
SY861	105dB / 8" Bell

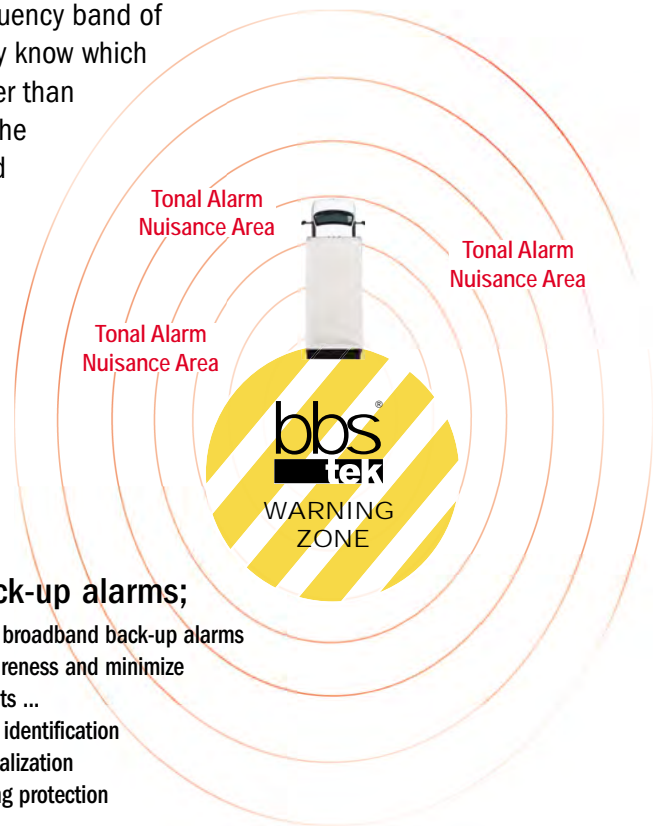
Broadband Alarms

Brigade®

- ✓ Heavy Duty
- ✓ Medium Duty
- ✓ Light Duty
- ✓ High Voltage

The bbs-tek® alarm emits a unique “shh...shh...” sound. Its broadband sound is multi-frequency, replacing the narrow frequency band of tonal beepers. Its sound is instantly locatable so you immediately know which vehicle is reversing and where it is coming from; so it is much safer than conventional narrowband alarms. It is directional, concentrating the sound in the danger area so reducing noise nuisance. Broadband sound also dissipates more quickly beyond the danger zone, so it is much less of a nuisance to local residents and is less likely to be ignored by workers due to over exposure and “tuning-out” the warning sound.

Both standard and smart, self-adjusting bbs-tek® reversing alarms are available. Self adjusting alarms are ideal for areas where the ambient noise level may vary significantly such as for vehicles going from a noisy to quieter location, ensuring the warning is always heard.



New technology back-up alarms;

USACE advice: “The use of broadband back-up alarms can improve employee awareness and minimize “struck by” vehicle accidents ...

- Better source location identification
- Hazard area sound localization
- Audible through hearing protection
- Hearing loss friendly”



HEAVY DUTY

Specifications:

Voltage: 12-24vdc
 Decibels: 102, 107 or 87-107 dB
 Frequency: Multi KHZ
 Current: 1.0A
 Sounder Unit: Driver
 Size: 173mm w x 79mm h x 95mm d
 Hole Centers: 152mm
 Operating Temperature: -40°C to +85°C
 Vibration: 10G
 Mechanical Shock: 100G
 Polarity Protected: Yes
 Surge Protection: Yes
 Warranty: Lifetime



FEATURES:

Tough, durable, guaranteed waterproof (IP68)
 Solid-state, spark-free electronics
 Epoxy sealed against mud, water & vibration

CONFORMS TO:

SAE J994
 CE and 'e' marked (EMC)



PART #	DESCRIPTION
SY102BB	12-24vdc, 102 dB
SY107BB	12-24vdc, 107 dB
SY107BB-SA	12-24vdc, 87-107 dB self adjusting

MEDIUM DUTY

Specifications

Voltage: 12-24vdc
 Decibels: 92, 97 or 77-97dB
 Frequency: Multi KHZ
 Current: 1.0A
 Sounder Unit: Speaker
 Size: 127mm w x 65mm h x 76mm d
 (SY97BB-SA)
 Size: 105mm w x 62mm h x 32mm d
 (SY92BB & SY97BB)
 Hole Centers: 98-108mm
 (SY97BB-SA)
 Hole Centers: 75-85mm
 (SY92BB & SY97BB)
 Operating Temperature: -40°C to +85°C
 Vibration: 10G
 Mechanical Shock: 100G
 Polarity Protected: Yes
 Surge Protection: Yes
 Warranty: Lifetime



FEATURES:

Tough, durable, guaranteed waterproof (IP68)
 Solid-state, spark-free electronics
 Epoxy sealed against mud, water & vibration

Conforms to:

SAE J994
 CE and 'e' marked (EMC)



PART #	DESCRIPTION
SY92BB	12-24vdc, 92 dB
SY97BB	12-24vdc, 97 dB

PART #	DESCRIPTION
SY97BB-SA	12-24vdc, 77-97 dB self adjusting

LIGHT DUTY

Specifications:

Voltage: 12-24vdc
 Decibels: 82 or 87 dB
 Frequency: Multi KHZ
 Current: 0.5A
 Sounder Unit: Speaker
 Size: 91mm w x 55mm h x 45mm d
 Hole Centers: 76mm
 Operating Temperature: -40°C to +85°C
 Vibration: 10G
 Mechanical Shock: 100G
 Polarity Protected: Yes
 Surge Protection: Yes
 Warranty: Lifetime



FEATURES:

Tough, durable, guaranteed waterproof (IP68)
 Solid-state, spark-free electronics
 Epoxy sealed against mud, water & vibration

Conforms to:

SAE J994
 CE and 'e' marked (EMC)



PART #	DESCRIPTION
SY82BB	12-24vdc, 82 dB
SY87BB	12-24vdc, 87 dB

HIGH VOLTAGE

Specifications:

Voltage: 36-80vdc
 Decibels: 87 or 97 dB
 Frequency: Multi KHZ
 Current: 0.15A
 Sounder Unit: Speaker
 Size: 127mm w x 65mm h x 76mm d
 Hole Centers: 98-108mm
 Operating Temperature: -40°C to +85°C
 Vibration: 10G
 Mechanical Shock: 100G
 Polarity Protected: Yes
 Surge Protection: Yes
 Warranty: Lifetime



FEATURES:

Tough, durable, guaranteed waterproof (IP68)
 Solid-state, spark-free electronics
 Epoxy sealed against mud, water & vibration

Conforms to:

SAE J994
 CE and 'e' marked (EMC)



PART #	DESCRIPTION
SY87BB-HV	36-80vdc, 87 dB
SY97BB-HV	36-80vdc, 97 dB

Backup Warning Systems

- ✓ Reversing Camera Kits
- ✓ Back-Up Sensors

Camera Monitor Systems provide all round visibility for commercial vehicles and are used with multiple benefits in a wide range of on-road and off-road applications:

- Can cover multiple blind spots on a single monitor.
- Prevents reversing collisions with people, property or vehicles.
- Reduced vehicle damage and downtime.
- Can help reduce insurance premiums.
- Safer and easier maneuvering.



SYCK5EFM66 (5" LCD COLOR CAMERA KIT)



PART #	DESCRIPTION
--------	-------------

SYCK5EFM66	5" camera kit w/ flush mount bracket
------------	--------------------------------------

5" Color LCD Monitor Features:

- 5" LCD Color Screen
- 1 Camera Input
- Dimensions: 5.8"w x 4.3"h x 1.0"d
- Includes flush mount bracket

Color Camera Features:

- 6 LEDs
- Viewing angle 67°_H x 48°_V x 83°_D
- TV Lines: 420
- Dimensions 2.5"w x 2.3"h x 2.1"d

Replacement Parts:

PART #	DESCRIPTION
SYCK5EFM-RM	Monitor, 5" LCD, color w/ flush mount bracket
SYCK5EFM-RC	Camera, color
SYCK-L8	Cable, 8'
SYCK-L16	Cable, 16'
SYCK-L33	Cable, 33'
SYCK-L66	Cable, 66'

SYCK5E (5" LCD COLOR CAMERA KIT)



PART #	DESCRIPTION
--------	-------------

SYCK5E33	5" LCD color camera kit w/ 33' cable
SYCK5E66	5" LCD color camera kit w/ 66' cable

Replacement Parts:

PART #	DESCRIPTION
SYCK5E-RM	Monitor, 5" LCD, color
SYCK5E-RC	Camera, color
SYCK-L8	Cable, 8'
SYCK-L16	Cable, 16'
SYCK-L33	Cable, 33'
SYCK-L66	Cable, 66'

5" Color LCD Monitor Features:

- Dimension:
 - 5" Digital color LCD monitor
- TV System: NTSC/PAL auto
- Normal, mirror viewing
- Video Input: 2-CH
- Resolution : 640 x 480 Dots
- Color System : Auto
- Power Requirement : 12-24vdc
- Operating Temperature:
 - -20°C to +70°C, RH 90%
- Storage Temperature:
 - -30°C to +80°C, RH 90%
- Multiple Language Menu
- Day or night Mode

Color Camera Features:

- Wide Angle Lens (120°)
- 18 Infrared LEDs
- Self heating
- Integral microphone
- Sun shield
- Dust & waterproof IP69K
- Waterproof cable connection
- Dimensions 2.950"w x 2.680"h x 2.658"d
- Warranty: 2 Year

SYCK5 (5" LCD COLOR CAMERA KIT)



PART #	DESCRIPTION
SYCK533	5" LCD color camera kit w/ 33' cable
SYCK566	5" LCD color camera kit w/ 66' cable

Replacement Parts:

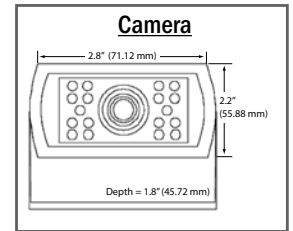
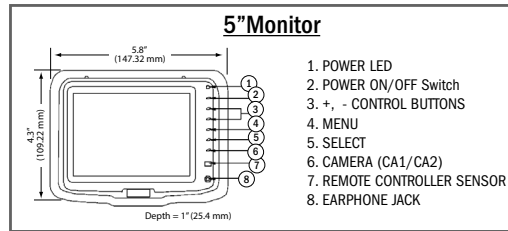
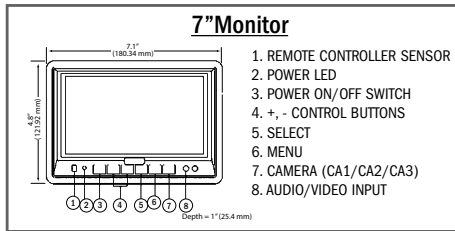
PART #	DESCRIPTION
SYCK5-RM	Monitor, 5" LCD, color
SYCK5-RC	Camera, color
SYCK-L8	Cable, 8'
SYCK-L16	Cable, 16'
SYCK-L33	Cable, 33'
SYCK-L66	Cable, 66'

5" Color LCD Monitor Features:

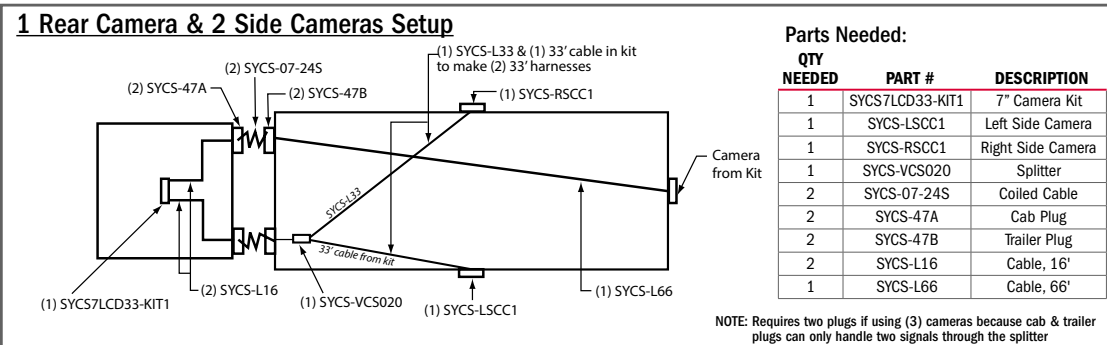
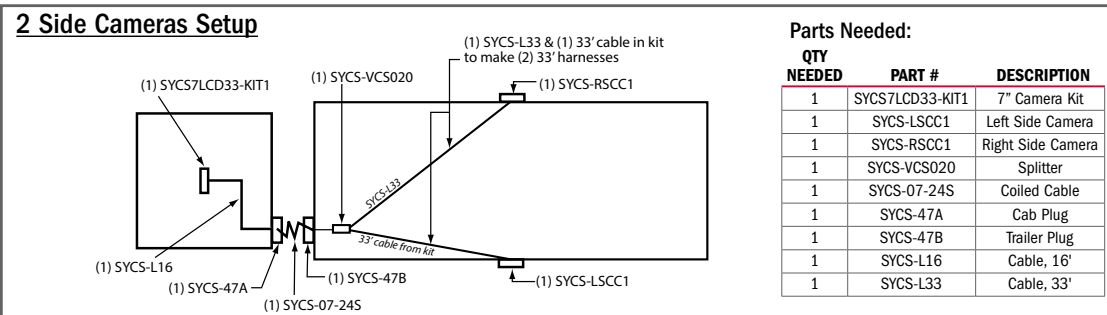
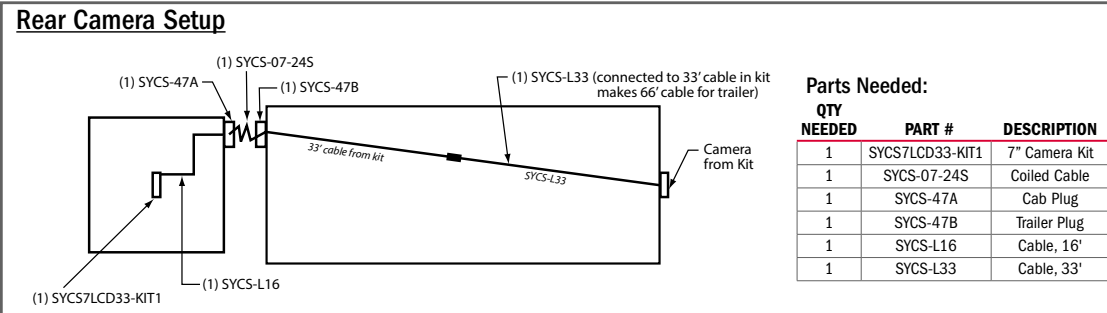
- Dimension: 5" Digital color LCD monitor
- TV System: NTSC/PAL auto
- Normal, mirror viewing
- Video Input: 3-CH
- Resolution : 640 x 480 Dots
- Color System : Auto
- Power Requirement : 12/24VDC
- Operating Temperature: -20 to +70°C, RH 90%
- Storage Temperature: -30 to +80°C, RH 90%
- Multiple language menu
- Day or night mode
- Dimensions: 6.14"W x 4.20"H x 1.25"D

Color Camera Features:

- Wide angle lens (120°)
- 20 Infrared LEDs
- Self heating
- Integral microphone
- Dust & waterproof IP69K
- Warranty: 2 Year



QUICK DISCONNECT BETWEEN CAB & TRAILER APPLICATIONS: (SHOWN WITH 7" CAMERA KIT)



SYBSK SERIES - BACKUP SENSORS



Specifications:

- Operating Range : 9-32VDC
- Operating Current: 20-150mA
- Detection Distance: 0.5' - 8.0'
- Ultrasonic Frequency: 40KHz
- Operating Temperature: -22°F - 158°F
- Display Size: 3.7" w x 1.9" d x 0.8" h

Features:

- Low profile
- Works in all weather
- Active only when vehicle is in reverse
- Dual alarm alerts driver both audibly and visually
- Four (4) under mount or flush mount sensors included in kit
- Bars display direction/distance of obstruction
- Direction of obstruction indicated if left/middle/right

PART #	DESCRIPTION
SYBSK-1000	Backup Sensor - wireless radar under bumper mount with display
SYBSK-1001	Backup Sensor - wireless radar bumper flush mount with display

Replacement Parts:

PART #	DESCRIPTION
SYBSK-D200	Led display w/ double sided tape
SYBSK-T300	Control box
SYBSK-S100	Under mount sensors (set of 4) with hardware kit
SYBSK-S101	Flush mount sensors (set of 4) with hardware kit



Roadside Safety

- ✓ LED Road Flares
- ✓ Solar Strobes / Signal Lights
- ✓ Reflective Triangles

Roadside signaling products can alert oncoming traffic to potential road hazards, signal for help, and mark detours making these ideal for emergency responders.

Rechargeable LED flares are smokeless, non-toxic and underwater alternatives. Solar powered flares mount to any structure charging it all day in the sunlight and in low light it will automatically start to strobe and warn of potential danger.



LED ROAD FLARE KIT



Specifications:

Dimensions: 1.34"H x 4.19"DIA

Flash patterns: 9

Features:

Magnetic

Water-resistant

Includes: Case, 6 LED road flares & universal charger

PART #	DESCRIPTION
SYLEDRF-A-KIT	Amber road flare kit

Accessories:

PART #	DESCRIPTION
SYLEDRF-A	Amber road flare with charger

Solar Strobes / Signal Lights

SOLAR STROBES / SIGNAL LIGHTS



PART#	LED
SYLEDSS-Y	Yellow
SYLEDSS-R	Red

Specifications:

Mounting bracket included

Visible up to 1,640 feet

Charge in the sun all day for hours of use at night

Internal rechargeable battery: NiMH AA 1350mah 1.2v

LED lights: Large angle 23,000-26,000 MCD 100,000 hours

Dimensions: 3.58"L x 6.14"H

Weight: Light - 13oz

Light & Bracket - 1lb 8oz

Charging time: 10-12 Hours on a bright sunny day

Run time: 90-120 Hours

Light span: 1640 feet in all directions

Flash rate: Approximately 60 FPM

Humidity & temperature: May be used in wet or dry environments from -4°F to 145°F

Materials: Light - polycarbonate housing & aluminum body

Mounting bracket - zinc plated steel

Certifications: Meets NFPA, DOT, and MUTCD specifications.

Features:

- 4 LED weatherproof flashing light
- Solar panels encapsulated in high-impact polycarbonate housing and charge rechargeable batteries
- Includes reflective strip for added visibility
- Fits in traffic cones utilizing a 1⁵/₁₆" top inside hole diameter or with the included zinc plated mounting bracket to attach to any vertical or horizontal surface
- Includes on/off button to save stored battery power when not in use.

Solar Strobe / Signal Light



Mounting Bracket



REFLECTIVE HIGHWAY TRIANGLES



Specifications:

Three triangles in corrosion-proof box
 Fluorescent orange
 Non-skid base withstands up to 40 MPH winds
 Requires no set-up tools
 No power source needed

PART# DESCRIPTION

SY59289	3-Piece warning triangle kit - box with cap
SY59289H	3-Piece warning triangle kit - box with hinge

First Aid Kits

FIRST AID KITS



PART# DESCRIPTION

SY992150	Class A ANSI/OSHA first aid kit
SY992129	25 Person ANSI/OSHA first aid kit

Specifications:

Plastic case
 Includes assortment of bandages, antiseptic, gauze, gloves and more
 Perfect for dealing with common workplace injuries like minor cuts, abrasions and sprains
 Assembled in the USA
 Exceeds ANSI/OSHA minimum requirements
 Pockets organized by injury for fast effective first aid

Contents:

MAJOR CUTS & SCRAPES

	SY99-2150	SY99-2129
Adhesive bandage 1" x 3"	16	30
Butterfly wound closure	1	2
Elbow knee bandage	1	2
Fingertip bandage	2	3
Knuckle bandage	2	3

Contents:

INSTRUMENTS & INSTRUCTIONS

	SY99-2150	SY992129
Cold pack	1	1
CPR breathing barrier	1	0
First aid guide	1	1
Scissors	1	1
Tweezers	1	1

Contents:

MAJOR INJURY SY992150 SY992129

Absorbent compress 5" x 9"	0	1
Adhesive tape ½ x 5 yards	1	1
Medical exam gloves (pair)	1	1
Roller gauze 2" x 4 yards	1	1
Roller gauze 3" x 4 yards	1	1
Sterile eye pad	1	1
Sterile pad 2" x 2"	1	1
Sterile pad 3" x 3"	1	1
Sterile pad 4" x 4"	1	1
Trauma pad 5" x 9"	1	1
Triangular bandage 42" x 42" x 59"	1	1

MEDICATION & ANTISEPTICS SY992150 SY992129

Afterburn® gel 2 oz tube	1	1
Alcohol prep pad 0	1	1
Antibiotic treatment application	1	1
Antiseptic treatment application	1	1
Burn dressing (gel soaked) 4" x 4"	1	1
Burn treatment application	1	1
Eye wash 20 ml	1	1
Eye/skin wash ½ fl oz	1	1
Hand sanitizer application 0.9g	1	1
Insect bite relief pad	1	1

Traffic Cones

TRAFFIC CONES



Specifications:

28" Tall
 7lb Black base
 4" & 6" Hi-intensity reflective collars
 Meets or exceeds DOT standards

PART# DESCRIPTION

SYTC28746	28" 7lb traffic cone
-----------	----------------------



















Vehicle Accessories

- ✓ Mirrors
- ✓ Manual Cases
- ✓ Fans
- ✓ Switch Panels
- ✓ Abrasion Sleeve
- ✓ Fire Extinguishers
- ✓ Programmable Code Switches







Make your vehicles ready for the road ahead! Meet safety requirements for your operators and work environment with interior and exterior commercial vehicle accessories.



PERMANENT MOUNT

PART #	SIZE	MATERIAL	FEATURES	PART #	SIZE	MATERIAL	FEATURES
SY1909159 	6.00" x 11.00"	Acrylic	· Ball joint support	SYLT48G 	4.20" X 8.50"	Glass	· Telescoping arm & bracket
SY34383 	4.00" x 6.00"	Glass		SYLT50 	5.00" DIA	Acrylic	· Shatterproof · Telescoping arm & bracket
SY34385 	4.61" x 8.26"	Glass		SYLT50G 	5.00" DIA	Glass	· Shatterproof · Telescoping arm & bracket
SY34386 	3.18" x 7.75"	Glass		SYLT69 	6.40" x 9.40"	Acrylic	· Shatterproof · Telescoping arm & bracket
SY34387 	5.25" x 9.50"	Glass		SYLT69G 	6.40" x 9.40"	Glass	· Telescoping arm & bracket
SY3762118 	6.00" x 11.00"	Acrylic	· 180 Degree panoramic	SYLT80 	8.80" DIA	Acrylic	· Shatterproof · Telescoping arm & bracket
SY51915 	4.60" x 8.13"	Glass		SYLT80DP 	8.80" DIA	Acrylic	· Shatterproof · Telescoping arm & bracket
SYLT110 	11.00" DIA	Acrylic	· Shatterproof · Telescoping arm & bracket	SYLT80G 	8.40" DIA	Glass	· Telescoping arm & bracket
SYLT48 	4.20" X 8.15"	Acrylic	· Shatterproof · Telescoping arm & bracket	SYRM25 	4.00" x 6.25"	Glass	· Flat

MAGNETIC MOUNT

MIRRORS	PART #	SIZE	MATERIALS	FEATURES	MIRRORS	PART #	SIZE	MATERIALS	FEATURES
	SY1190	3.75" DIA	Acrylic	· Flat		SY1192	6.00" DIA	Acrylic	· Flat
	SY1191	3.75" DIA	Acrylic	· Convex		SY1193	6.00" DIA	Acrylic	· Convex
	SY1191G	3.75" DIA	Glass	· Convex		SY1193G	6.00" DIA	Glass	· Convex

VARIABLE SPEED

Voltage: 12, 24, or 36vdc
 Size: 6.5"
 Blades: 4, Aluminum
 CFM: High 270
 Low 220
 Guard: Chrome
 Base: Heavy duty diecast,
 adjustable position swivel



PART #	VDC	DESCRIPTION
SY9912	12	Variable speed
SY9924	24	Variable speed
SY9936	36	Variable speed

2-SPEED

Voltage: 12, 24, 36, 48vdc
 Size: 6.5"
 Blades: 4, Black
 CFM: 250
 Guard: Black
 Base: Heavy duty die cast base,
 ball joint swivel
 Switch: Variable speed rheostat,
 3 position toggle



PART #	VDC	DESCRIPTION
SY9012	12	2-Speed
SY91067	24	2-Speed
SY91068	36	2-Speed
SY9048	48	2-Speed

Manual Cases & Switch Panels

MANUAL CASES



PART #	DESCRIPTION
SY4040	8.5" x 11.0"
SY4045	6.0" x 9.0"

6 POSITION LIGHTED SWITCH PANEL

Size: 6.00"w x 5.00"d x 2.25"h



PART #	DESCRIPTION
SY05.6000	(6) 20A rocker switches for low amperage lighting functions
SY05.6040	(1) 40A relay and circuit breaker for higher amperage application, plus (5) 20A rocker switches

4 POSITION LIGHTED SWITCH PANEL

Size: 4.50"w x 3.87"d x 2.00"h



PART #	DESCRIPTION
SY05.4000	(4) 20A, single pole, single-throw lighted rocker switches, rocker switches for low amperage lighting functions
SY05.4040	(1) 40A relay and circuit breaker for amperage application, plus (3) 20A switches

Accessory Outlets

ACCESSORY OUTLETS

1 Accessory outlet/1 switch



PART #
SY14.0370

2 Accessory outlets/2 switches



PART #
SY14.0373

3 Accessory outlets



PART #
SY14.0553

SPLIT BRAIDED TUBE



Unique split, semi-rigid braided construction makes it the ideal solution for situations where ease of installation is of primary importance. The lateral split allows the tube to open up to accommodate a wide variety of bundling requirements, and the semi-rigid braid configuration simply closes around the entire installation without the need for any additional fasteners (velcro, tape, etc.)

Specifications:

- Easy, cost effective installation
- More flexible than split convoluted or spiral wrap
- 25% Edge overlap
- Cut and abrasion resistant
- Retains shape & rigidity throughout -94°F to 257°F temperature range
- Melt Temp 482°F
- Color: Black

PART #	DESCRIPTION	NOMINAL SIZE	WALL THICKNESS
SYF6N013BK-100	Abrasion sleeve 1/8" x 100'	1/8"	0.024"
SYF6N025BK-200	Abrasion sleeve 1/4" x 200'	1/4"	0.025"
SYF6N038BK-200	Abrasion sleeve 3/8" x 150'	3/8"	0.025"
SYF6N050BK-150	Abrasion sleeve 1/2" x 150'	1/2"	0.025"
SYF6N075BK-100	Abrasion sleeve 3/4" x 100'	3/4"	0.025"
SYF6N100BK-100	Abrasion sleeve 1" x 100'	1"	0.038"

Fire Extinguishers

5 LB CAPACITY

- Aluminum cylinder
- Monoammonium phosphate
- Metal bracket and flexible nozzle
- UL rated 3-A, 40-B:C
- Rechargeable
- 16.31"H x 4.50"DIA
- Must ship ground



PART #	DESCRIPTION
SY90272	5lb Capacity fire extinguisher

2 LB CAPACITY

- Aluminum cylinder
- Sodium bicarbonate
- Plastic strap bracket
- UL rated 5-B:C
- Non-rechargeable (disposable)
- 10.95"H x 3.25"DIA
- Must ship ground



PART #	DESCRIPTION
SY210RFC	2lb Capacity fire extinguisher

2.5 LB CAPACITY

- Aluminum cylinder
- Monoammonium phosphate
- Metal bracket
- UL rated 1-A, 10-B:C
- Non-rechargeable (Disposable)
- 13.75"H x 3.25"DIA
- Must ship ground



PART #	DESCRIPTION
SY90273	2.5lb Capacity fire extinguisher

2.75 LB CAPACITY

- Aluminum cylinder
- Sodium bicarbonate
- Plastic bracket w/metal strap
- UL rated 10-B:C
- Non-rechargeable (Disposable)
- 13.75"H x 3.25"DIA
- Must ship ground



PART #	DESCRIPTION
SY250RFC	2.75lb Capacity fire extinguisher

Programmable Code Switches

SAFE-T-LOCK®

Voltage: 12-120vdc
 Waterproof, IP65
 99 Programmable user codes
 Maintenance Cycle - 250 "on" hours, unit will beep intermittently until reset
 Last User ID function - supervisor can see who last used the unit
 Warranty: 1 Year
Certifications: UL, CE, RoHS compliant



PART #	DESCRIPTION
STL1000	Safe-T-Lock code switch

PSL & PSL+

Case: ABS Plastic, Two 3/16" mounting holes, 4 11/16" center to center
 Keypad: Contact internally sealed, moisture resistant
 Voltage: Input Range 12-90v
Certifications: UL

PSL+ Additional Features:

- Supervisor Code
- User Capability: Programs up to 99 unique user access codes
- Last User Identification
- Optional Automatic Shut-off
- Maintenance Alert
- Accumulated Time: Tracks vehicle usage



SYPSL1000



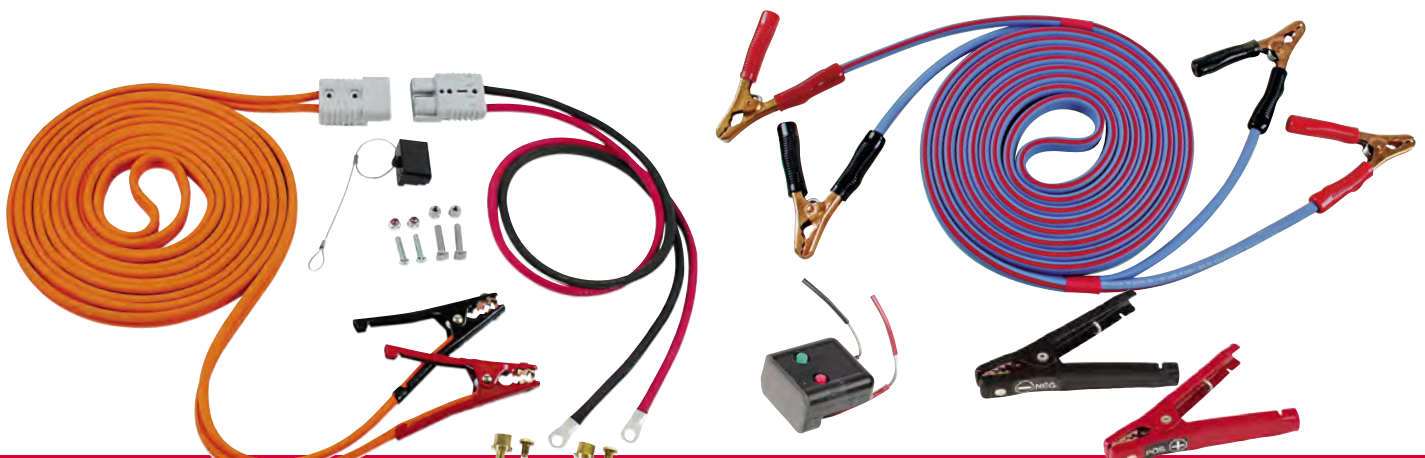
SYPSL2000

PART #	DESCRIPTION
SYPSL1000	PSL code switch
SYPSL2000	PSLPlus code switch

SAFE-T-CONNECT®

- ✓ Booster Assemblies
- ✓ Jumper Cables

Safe-T-Connect® booster systems are perfect for all automotive, service or fleet applications. Each STC system features a unique combination of components designed to provide years of safe, convenient and dependable service.



Booster Cable Assemblies

4AWG BOOSTER ASSEMBLY

INCLUDES:

- (1) Booster cable with or without polarity indicator
- (1) Vehicle harness
- (1) Dust cover & mounting hardware
- 500A

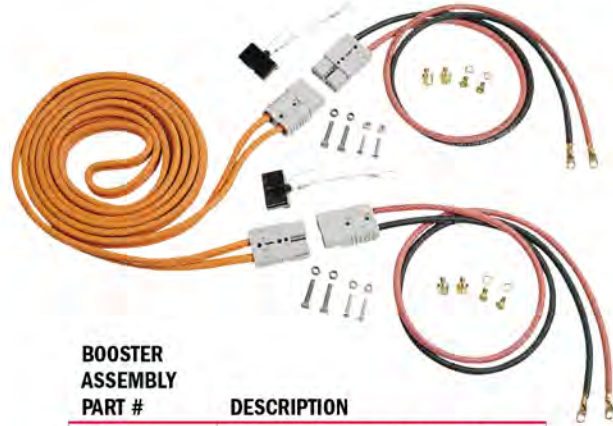


BOOSTER ASSEMBLY PART #	BOOSTER CABLE PART #	LENGTH	DESCRIPTION
STC164-N	STC922-16	16' / 4.9m	Without polarity indicator
STC164-N/ET	STC922-16/ET	16' / 4.9m	With polarity indicator
STC254	STC922-25	25' / 7.6m	Without polarity indicator
STC254/ET	STC922-25/ET	25' / 7.6m	With polarity indicator
STC304	STC922-30	30' / 9.1m	Without polarity indicator
STC304/ET	STC922-30/ET	30' / 9.1m	With polarity indicator

4AWG FLEET ASSEMBLY

INCLUDES:

- (1) Fleet booster cable with connectors on both ends
- (2) Vehicle harnesses
- (2) Dust cover & mounting hardware
- 500A



BOOSTER ASSEMBLY PART #	DESCRIPTION
STC164-A	16' / 4.9m Fleet booster assembly

2AWG BOOSTER ASSEMBLY

· Arctic Ultraflex Blue™ is the premier "Arctic Grade" battery cable rated and proven to work in the extreme temperature ranges of -55°C to 105°C. This revolutionary wire combines fine copper construction with a jacket material designed to be resistant to the abuses of oil, gasoline, sunlight, salt water, acids and chemicals.

- 800A








INCLUDES:

- (1) Booster cable with or without polarity indicator
- (1) 5' Vehicle harness
- (1) Dust cover & mounting hardware

BOOSTER ASSEMBLY PART #	BOOSTER CABLE PART #	LENGTH	DESCRIPTION
STC202	STC822-20	20' / 6.0m	Without polarity indicator
STC202ET	STC822-20ET	20' / 6.0m	With polarity indicator
STC252	STC822-25	25' / 7.6m	Without polarity indicator
STC252ET	STC822-25ET	25' / 7.6m	With polarity indicator
STC302	STC822-30	30' / 9.1m	Without polarity indicator
STC302ET	STC822-30ET	30' / 9.1m	With polarity indicator
STC352	STC822-35	35' / 10.7m	Without polarity indicator
STC352ET	STC822-35ET	35' / 10.7m	With polarity indicator

JUMPER CABLES

	DESCRIPTION	GAUGE	LENGTH	PART #
	Jumper cable assembly	4AWG	16'/4.9m 30'/9.1m	STC924-16 STC924-30
	Jumper cable assembly heavy duty Arctic Ultraflex Blue™	2AWG	20'/6.0m 25'/7.6m 30'/9.1m 35'/10.7m	STC202C STC252C STC302C STC352C
	Jumper cable assembly commercial grade 500A	1AWG	20'/6.0m 25'/7.6m 30'/9.1m	STC602330-001 STC602340-001 STC602360-001
	Jumper cable assembly commercial grade 800A	1/0AWG	20'/6.0m 25'/7.6m	STC602370-001 STC602380-001
	Jumper cable assembly commercial grade 800A	2/0AWG	20'/6.0m 25'/7.6m 30'/9.1m	STC602390-001 STC602400-001 STC602410-001

REPLACEMENT PARTS AND ACCESSORIES

<p>STC813 Red clamp assembly 800A</p> 	<p>STC815 Black clamp assembly 800A</p> 	<p>STC818N 5' Vehicle harness, 2AWG</p> 	<p>STC901 Polarity indicator</p> 	<p>STC902-2 Connector assembly, 2AWG</p> 	<p>STC903-4 Connector assembly, 4AWG</p> 
<p>STC905 Dust cover</p> 	<p>STC916 Hardware kit</p> 	<p>STC918K 4' Vehicle harness kit, 4AWG</p> 	<p>STC918N 4' Vehicle harness, 4AWG</p> 	<p>STC918N-5 5' Vehicle harness, 4AWG</p> 	<p>STC918N-6 6' Vehicle harness, 4AWG</p> 
<p>STC918N-8 8' Vehicle harness, 4AWG</p> 	<p>SY944-2 Contact, 2AWG set of 2</p> 	<p>SY944-4 Contact, 4awg set of 2</p> 	<p>STC907 Top post stud and nut</p> 	<p>STC910 Side post stud assembly</p> 	<p>STC912 Brass stud</p> 
<p>STC913 Red clamps 500A</p> 	<p>STC914 Black clamps 500A</p> 	<p>STC920 Twin vu-tron® welding cable, 4AWG</p> 	<p>STC922-03/ET Booster cable attachment, 3' w/ polarity indicator, 4AWG</p> 	<p>STC923-16 Fleet booster cable, 16', 4AWG</p> 	<p>STC928 Terminal, 4AWG</p> 
<p>SYBCL238PL Lug, 2AWG</p> 	<p>SYAB2-2 Twin battery cable, 2AWG</p> 				



Superior Signals, Inc. is a leading manufacturer and distributor of quality warning and safety products, electrical components and accessories for equipment and vehicles in material handling, railroad, construction, agriculture, aviation/ground support, and battery charger service.

An industry knowledgeable sales force and dedicated sales representatives combine to assist you in your product requirements for a variety of vehicle and equipment components. We have been providing quality products for over 45 years and our focus is your complete customer satisfaction.

We source products worldwide and test them to insure they meet or exceed performance specifications. Superior Signals, Inc. continually adds new items to our inventory in response to customer needs.

CONTACT US

1-888-452-4053

1866 N. COUNTRY LANE
MICHIGAN CITY, IN 46360

SALES@MSFOSTER.COM
WWW.MSFOSTER.COM



MS FOSTER

SERVING THE TRANSPORTATION INDUSTRY