

# Voyager

# WVOS7ANTEXT

7" Digital Wireless Observation Kit

FEATURING

WiSight™ technology



### KEY FEATURES:

- Easy installation, fits most applications
- 7" monitor comes with suction cup mount and 12V DC plug
- Camera connects to rear lights or other 12V DC power source
- Strong signal transmits through and around objects up to 60+ feet away
- Add up to 2 wired cameras for a 3 camera system

### Kit Includes:

- WVOS713 - 7" Digital Wireless Observation System
- WVOSANTEXT - Antenna with 80" extension cable
- 32301334 - Mounting Bracket
- 72706 - 6" Universal Pedestal Mount



## M. S. Foster & Associates

1866 N. Country Lane, Michigan City, IN 46360  
Phone 219-879-9225 • Toll Free 888-452-4053  
Fax 219-879-9313 • email: sales@msfoster.com  
www.msfoster.com

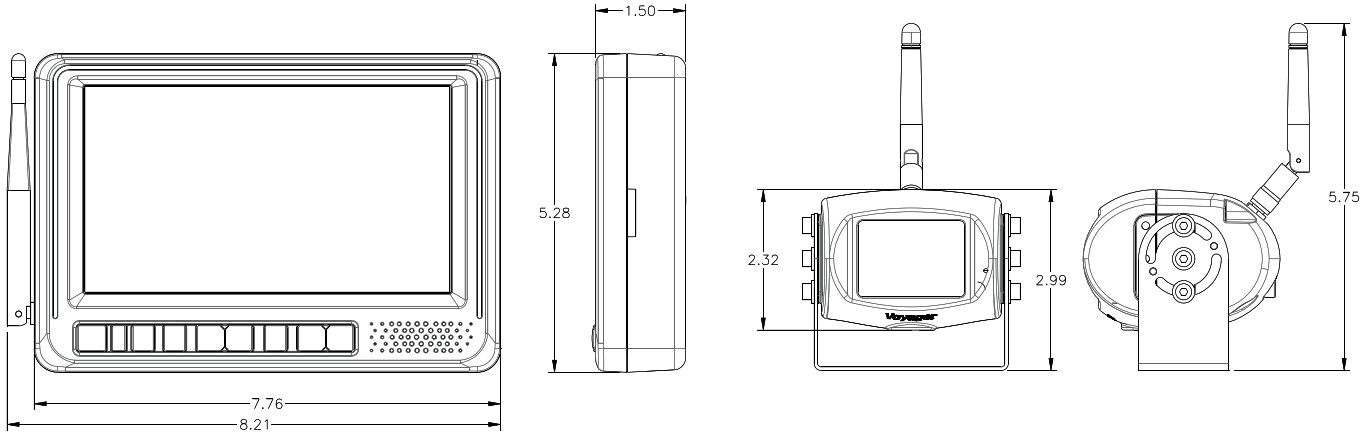
EXPAND your vision™

Features and specifications subject to change without notice.

# Voyager.

# WVOS7ANTEXT

## 7" Digital Wireless Observation Kit



Specifications	CAMERA	MONITOR
Power System	12VDC	12VDC
Operating Voltage Range	10 ~14V	10 ~ 16V
Power Consumption (MAX)	300mA	760mA
Operating Temperature Range	-4°F to 149°F	-4°F to 149°F
Storage Temperature Range	-40°F to 185°F	-40°F to 185°F
Operating Relative Humidity	100%	95%
Waterproof Rating	IPX6	NA
Overall Dimensions	5.8" x 3" x 3.3"	5.3" x 1.5" x 8.2"
Product Weight (unpacked)	13 oz	16.2 oz
Video Output Signal Format	NTSC	NTSC
Video Signal Level	1.0V p-p ; 75Ω	1.0V p-p ; 75Ω
Audio	Microphone	1 watt
Sensor	1/3" CMOS	NA
Sensitivity	0 Lux	NA
Image Orientation	Mirror (Reversed)	NA
Resolution	420 Lines	480(W) x 234(H)
View Angles	117°(D) 93°(H) 66°(V)	140°(H) 120°(V)
Brightness	NA	450 nit
Contrast Ratio	NA	400:1
Response Time	NA	15ms(R) 20ms(F)
Display Format	NA	16:9