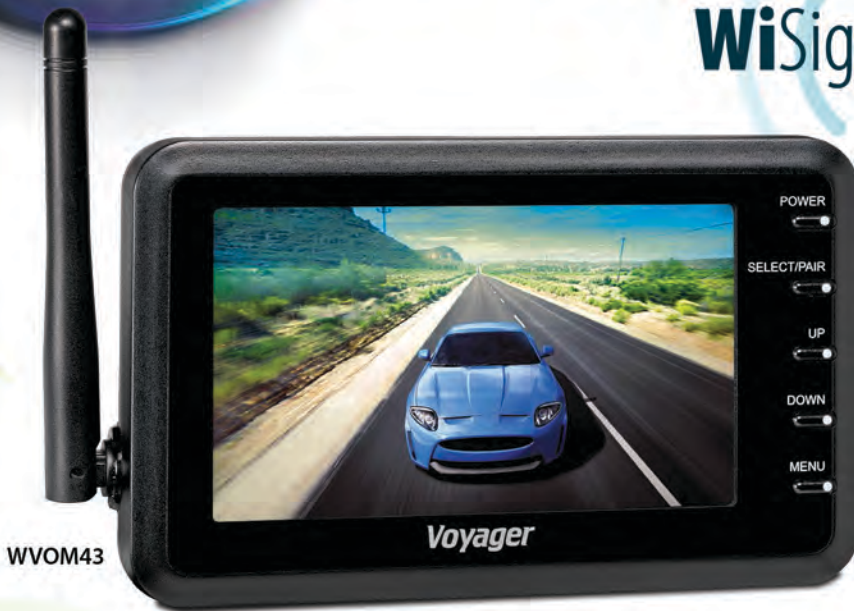


# Voyager<sup>®</sup>

Digital Wireless Observation System

# WVOS43

WiSight<sup>®</sup> technology



WVOM43



WVCMS130AP

## FEATURES

- Supports up to four wireless cameras (WVCMS130AP) and one wired Voyager camera simultaneously
- Auto-Pairing capability allows monitor to be paired with any of the (up to) four wireless cameras (WVCMS130AP) with the press of a button
- Strong signal transmits through and around objects up to 60 feet away

## WVOM43 MONITOR

- Bright 4.3" display
- Compact size allows for easy storage in armrest, glovebox or center console when not in use
- Can display visual points of reference indicating your vehicle's distance from objects while backing up
- Built-in speaker
- Suction-cup mount and 12V DC plug power cord included

## WVCMS130AP CAMERA

- CMOS sensor
- 14 IR LEDs for low-light illumination
- Powered through rear light wiring or any other available 12V DC power source

SUPPORTS **4** AT ONCE



EXPAND your vision<sup>™</sup>



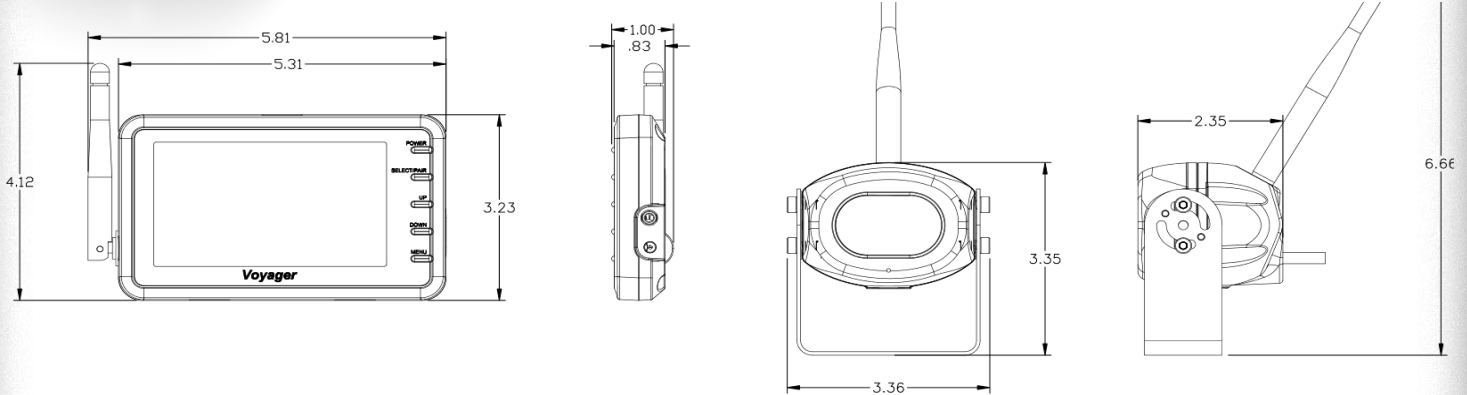
CONTACT US 1-888-452-4053

1866 N. COUNTRY LANE SALES@MSFOSTER.COM  
MICHIGAN CITY, IN 46360 WWW.MSFOSTER.COM

# Voyager<sup>®</sup>

## Digital Wireless Observation System

# WVOS43



### Features & Product Highlights:

#### System

- Proprietary 2.4 ~ 2.5 GHz digital wireless A/V transceiving technology (WiSight™)
- Long distance transmit/receiving capability
- Monitor and camera are digitally linked (paired)
- Easy universal installation

#### Monitor

- 4.3" color TFT LCD panel
- LED backlight
- Integrated audio speaker
- Excellent low light and high bright environment performance
- Able to pair with 4 wireless Camera simultaneously
- Scale Marker & Screen Saver function
- Suction cup mount included
- Cigarette lighter power adapter included

#### Camera

- 12VDC universal power connection
- High-performance color optics
- CMOS sensor technology
- IR LED low-light assist

### Specifications

	CAMERA	MONITOR
Power System	12VDC	12VDC
Operating Voltage Range	10 ~14V	10 ~ 14V
Power Consumption (MAX)	351mA	340mA
Operating Temperature Range	-4°F to 149°F	-4°F to 149°F
Storage Temperature Range	-40°F to 185°F	-40°F to 185°F
Operating Relative Humidity	100%	95%
Waterproof Rating	IPX6	NA
Overall Dimensions	2.35"x3.35"x3.36"	1.0"x 5.8" x 4.1"
Product Weight (unpackaged)	12.32 oz	6.5 oz
Video Output Signal Format	NTSC	NTSC
Video Signal Level	1.0V p-p ; 75Ω	1.0V p-p ; 75Ω
Audio	Microphone	1.5 watt
Sensor	1/3" CMOS	NA
Sensitivity	0 Lux	NA
Image Orientation	Mirror (Reversed)	NA
Resolution	520 Lines	480 x 272
View Angles	125°(D) 94°(H) 68°(V)	140°(H) 120°(V)
Brightness	NA	500 nit
Contrast Ratio	NA	500:1
Response Time	NA	10ms(ON) 15ms(OFF)
Display Format	NA	16:9