

Voyager[®]

Voyager Wireless Transmitter
WVTX1AP



PRODUCT FEATURES

- Proprietary 2.4~2.5 GHz digital wireless A/V transceiving technology featuring Auto-Pair connectivity
- Long distance transmit/receiving capability
- Receiver and transmitter are digitally linked (paired)
- Aluminum waterproof enclosure (IPX6)

EXPAND your vision[™]



MS FOSTER

SERVING THE TRANSPORTATION INDUSTRY

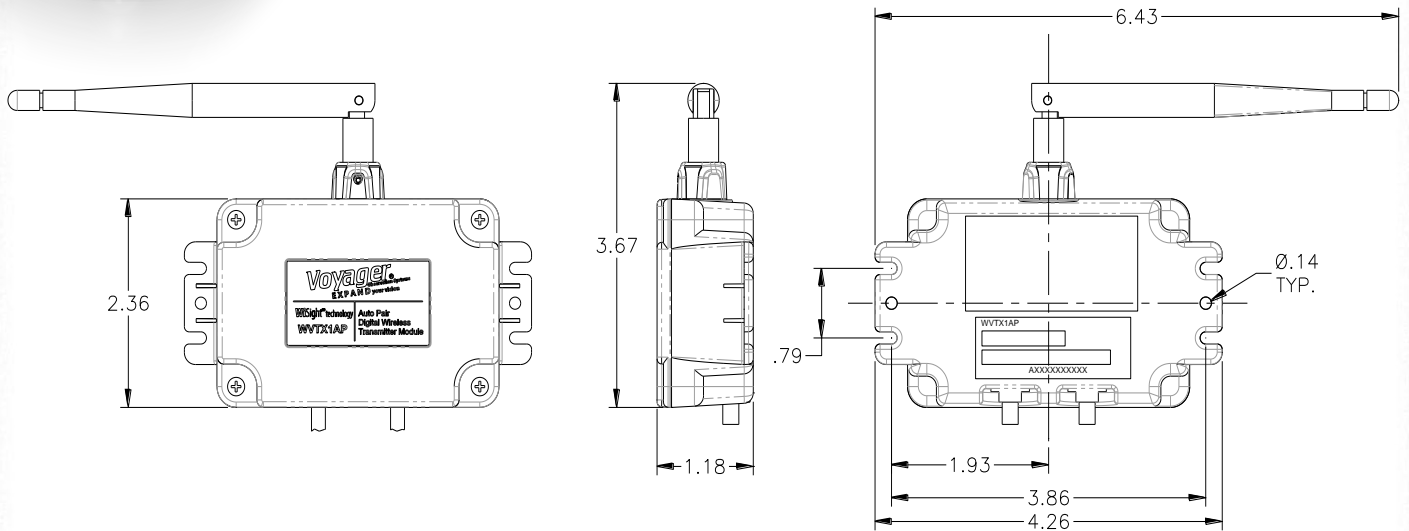
CONTACT US 1-888-452-4053

1866 N. COUNTRY LANE
MICHIGAN CITY, IN 46360

SALES@MSFOSTER.COM
WWW.MSFOSTER.COM

Voyager

Voyager Wireless Transmitter WVTX1AP



Specifications	
Power System	12VDC
Operating Voltage Range	10 ~ 14V
Power Consumption (MAX)	310 mA
Operating Temperature Range	-4°F to 149°F
Storage Temperature Range	-40°F to 185°F
Operating Relative Humidity	100%
Waterproof Rating	IPX6
Overall Dimensions	1.2" x 7.8" x 4.3"
Product Weight (unpacked)	9.2 oz