

Voyager

WVOS541

Four-Camera Enabled Digital Wireless Observation System

FEATURING

WiSight® technology

Four Camera Auto-Pairing



WVOM541AP



WVCMS130AP

USES UP TO 4 WIRELESS CAMERAS

PRODUCT FEATURES:

- Kit includes: 5.6" wireless LCD monitor, wireless CMOS camera, suction-cup monitor mount, 12V DC plug power cord
- Easy installation, fits most applications
- Capable of connecting up to four wireless cameras with Auto-Pairing technology
- Additional wired camera input available
- Camera connects to rear lights or other 12V DC power source and has integrated microphone
- Strong signal transmits through and around objects

CONTACT US

1-888-452-4053

1866 N. COUNTRY LANE
MICHIGAN CITY, IN 46360

SALES@MSFOSTER.COM
WWW.MSFOSTER.COM



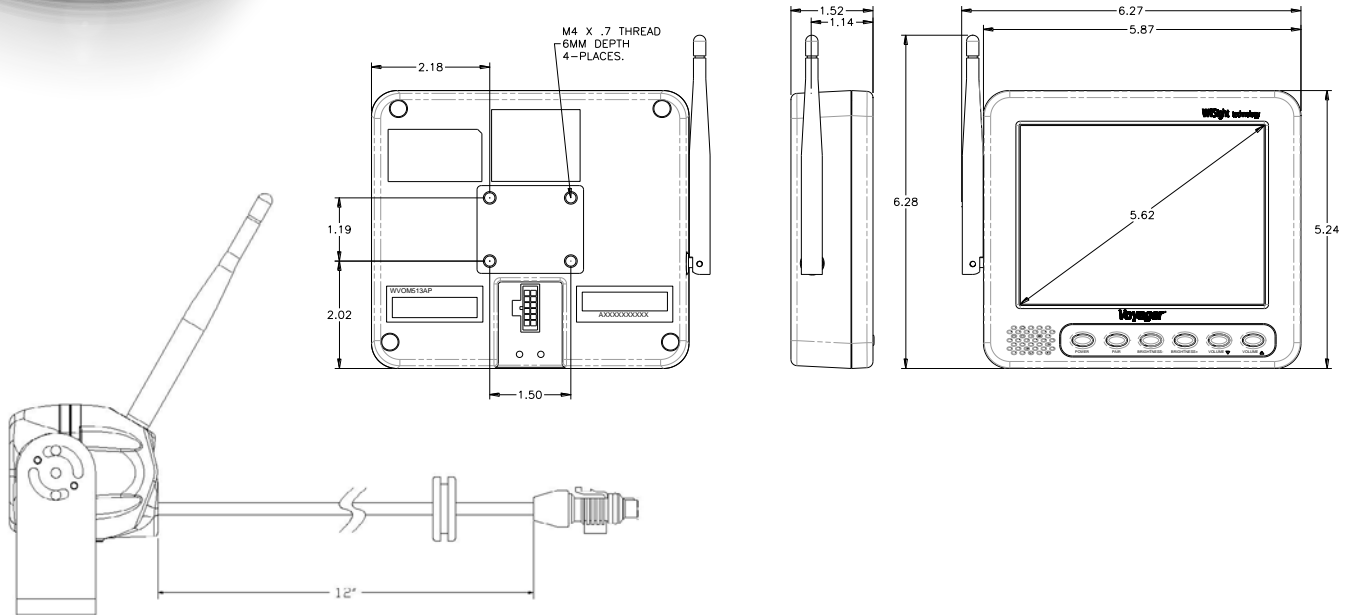
MS FOSTER

SERVING THE TRANSPORTATION INDUSTRY

Voyager[®]

WVOS541

Four Camera Enabled Digital Wireless Observation System



Specifications	CAMERA
Power System	12VDC
Operating Voltage Range	10 ~ 28V
Power Consumption (MAX)	450 mA
Operating Temperature Range	-20°C to 65°C
Storage Temperature Range	-30°C to 85°C
Operating Relative Humidity	100%
Waterproof Rating	IPX6
Overall Dimensions	5.52"x 3"x 2.82"
Product Weight (unpackaged)	9 oz
Video Output Signal Format	NTSC
Video Signal Level	1.0V p-p ; 75Ω
Audio	Microphone
Sensor	1/3" CMOS
Sensitivity	0 Lux
Image Orientation	Mirror (Reversed)
Resolution	380 Lines
View Angles	135°(D) 102°(H) 72°(V)
Brightness	NA
Contrast Ratio	NA
Response Time	NA
Display Format	NA

Specifications	MONITOR
Power System	12VDC
Operating Voltage Range	10 ~ 14V
Power Consumption (MAX)	540 mA
Operating Temperature Range	-4°F to 149°F
Storage Temperature Range	-40°F to 185°F
Operating Relative Humidity	95%
Overall Dimensions	1.5"x 5.2" x 6.3"
Product Weight (unpackaged)	14 oz
Video Output Signal Format	NTSC
Video Signal Level	1.0V p-p ; 75Ω
Audio	1.5 watt
Resolution	960(W) x 234(H)
View Angles	100°(H) 80°(V)
Brightness	500 nit
Contrast Ratio	250:1
Response Time	30ms(R) 40ms(F)
Display Format	4:3