

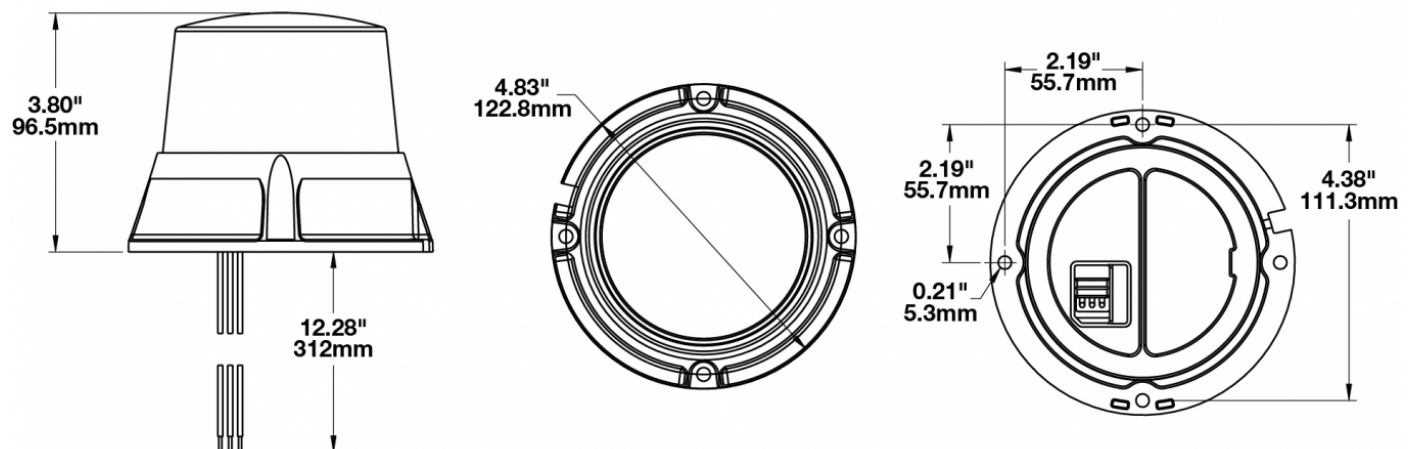
# LED Strobe Lights - Model 407

## PRODUCT INFORMATION

<b>Description</b>	12-80V LED Amber Class I Strobe Light
<b>Height</b>	96.52 mm / 3.8 in
<b>Width</b>	121.92 mm / 4.8 in
<b>Depth</b>	121.92 mm / 4.8 in
<b>Shape</b>	Round
<b>Outer Lens Material</b>	Polycarbonate
<b>Outer Lens Color</b>	Amber
<b>Housing Material</b>	Die-Cast Aluminum
<b>Housing Color</b>	Black
<b>Mounting Hardware Description</b>	(x4) #8-16 x 3/4" Mounting Screw
<b>Minimum Operating Temperature</b>	-40 °C / -40 °F
<b>Maximum Operating Temperature</b>	60 °C / 140 °F
<b>Connector or Wiring</b>	12" Leads
<b>Product Weight</b>	1.10 lbs / 0.5 kgs
<b>Shipping Weight</b>	1.93 lbs / 0.88 kgs



## PRODUCT DIMENSIONS



# MS FOSTER

SERVING THE TRANSPORTATION INDUSTRY

1040 Highway 212  
Michigan City, IN 46360

OFFICE 219.879.9225  
TOLL FREE 888.452.4053  
FAX 219.879.9313

sales@msfoster.com  
www.msfoster.com

# LED Strobe Lights - Model 407

## ELECTRICAL SPECIFICATIONS

<b>Input Voltage</b>	12-80V DC
<b>Operating Voltage</b>	9-110V DC
<b>Red Wire</b>	Positive
<b>Black Wire</b>	Negative
<b>Yellow Wire</b>	Mode
<b>Current Draw</b>	0.915A @ 12V DC 0.500A @ 24V DC 0.340A @ 36V DC 0.265A @ 48V DC 0.190A @ 72V DC

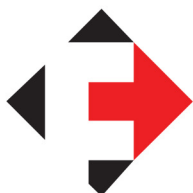
## REGULATORY STANDARDS COMPLIANCE



Buy America Standards	ECE Reg 10
ECE Reg 65	Eco Friendly
IEC IP69K	SAE J845
UL Recognized	

## PHOTOMETRIC SPECIFICATIONS

<b>Candela Output</b>	560
<b>Beam Pattern(s)</b>	Warning - Rotating Warning Warning - Strobe
<b>Flash Rate 1</b>	Beacon
<b>Flash Rate 2</b>	Quadruple 480
<b>Flash Rate 3</b>	Fast 540
<b>Flash Rate 4</b>	Double 240
<b>Flash Rate 5</b>	Burst 300
<b>Flash Rate 6</b>	Steady Flash 60



# MS FOSTER

SERVING THE TRANSPORTATION INDUSTRY

1040 Highway 212  
Michigan City, IN 46360

OFFICE 219.879.9225  
TOLL FREE 888.452.4053  
FAX 219.879.9313

sales@msfoster.com  
www.msfoster.com

# LED Strobe Lights - Model 407

## APPLICATIONS



## ACCESSORIES



**Part Number**  
**0728301**  
Pipe Mount with Fold-Down Bracket for DIN Pole Mount



**Part Number**  
**0728311**  
Pipe Mount with L Bracket for DIN Pole Mount



**Part Number**  
**0728321**  
Pipe Mount with Straight Bracket for DIN Pole Mount



**Part Number**  
**0728331**  
Pipe Mount with Threaded Pipe Mount for DIN Pole Mount



**Part Number**  
**0728341**  
Pipe Mount with Weld-on Bracket for DIN Pole Mount



**Part Number**  
**8200213**  
DIN Pole Mount for 406 & 407 LED Strobe Lights



# MS FOSTER

SERVING THE TRANSPORTATION INDUSTRY

1040 Highway 212  
Michigan City, IN 46360

OFFICE 219.879.9225  
TOLL FREE 888.452.4053  
FAX 219.879.9313

sales@msfoster.com  
www.msfoster.com

# LED Strobe Lights - Model 407

## RELATED PRODUCTS

---



**Part Number**  
**0646551**  
12-80V LED Blue Class I Strobe Light



**Part Number**  
**0646561**  
12-80V LED Red Class I Strobe Light



**Part Number**  
**0646571**  
12-80V LED Green Class I Strobe Light



**Part Number**  
**0646741**  
12-80V LED Amber Class I Strobe Light with DIN Pole Mount



**Part Number**  
**0646891**  
12-80V LED Amber Class I Strobe Light with Magnet Mount



# MS FOSTER

SERVING THE TRANSPORTATION INDUSTRY

1040 Highway 212  
Michigan City, IN 46360

OFFICE 219.879.9225  
TOLL FREE 888.452.4053  
FAX 219.879.9313

sales@msfoster.com  
www.msfoster.com