

# LED Work Light - Model 670 XD

## PRODUCT INFORMATION

<b>Description</b>	12-24V LED Work Light with Flood Beam Pattern
<b>Height</b>	162.31 mm / 6.39 in
<b>Width</b>	123.95 mm / 4.88 in
<b>Depth</b>	52.58 mm / 2.07 in
<b>Shape</b>	Round
<b>Outer Lens Material</b>	Polycarbonate
<b>Outer Lens Color</b>	Clear
<b>Housing Material</b>	Polycarbonate
<b>Housing Color</b>	Black
<b>Mounting Hardware Description</b>	(x1) M8-1.25 x 20mm Mounting Bolt
<b>Mounting Type</b>	Universal Pedestal Mount
<b>Minimum Operating Temperature</b>	-40 °C / -40 °F
<b>Maximum Operating Temperature</b>	65 °C / 149 °F
<b>Connector or Wiring</b>	Integrated 2-Pin Deutsch Weather-Proof Socket (DT04-2P)
<b>Mating Connector</b>	2-Pin Deutsch Weather-Proof Plug (DT06-2S)
<b>Product Weight</b>	1.52 lbs / 0.69 kgs
<b>Shipping Weight</b>	3.00 lbs / 1.36 kgs



# MS FOSTER

SERVING THE TRANSPORTATION INDUSTRY

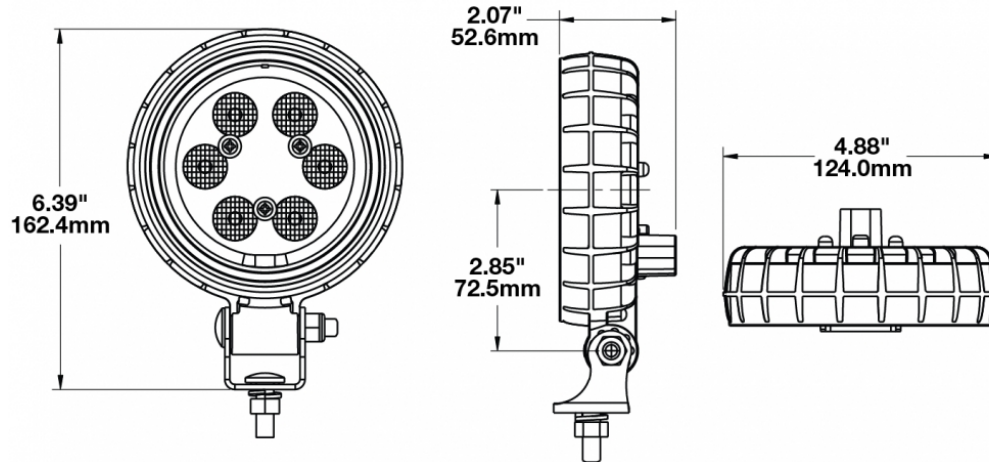
1040 Highway 212  
Michigan City, IN 46360

OFFICE 219.879.9225  
TOLL FREE 888.452.4053  
FAX 219.879.9313

sales@msfoster.com  
www.msfoster.com

# LED Work Light - Model 670 XD

## PRODUCT DIMENSIONS



## ELECTRICAL SPECIFICATIONS

<b>Input Voltage</b>	12-24V DC
<b>Operating Voltage</b>	10-30V DC
<b>Transient Spike Protection</b>	330V Peak @ 1 HZ-100 Pulses
<b>Red Wire</b>	Positive
<b>Black Wire</b>	Negative
<b>Current Draw</b>	1.3A @ 12V DC 0.6A @ 24V DC



# MS FOSTER

SERVING THE TRANSPORTATION INDUSTRY

1040 Highway 212  
Michigan City, IN 46360

OFFICE 219.879.9225  
TOLL FREE 888.452.4053  
FAX 219.879.9313

sales@msfoster.com  
www.msfoster.com

# LED Work Light - Model 670 XD

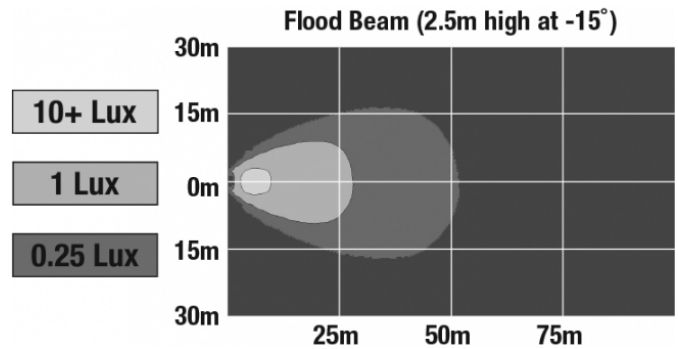
## REGULATORY STANDARDS COMPLIANCE



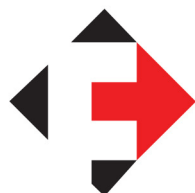
Buy America Standards	CISPR 12
CISPR 22	Eco Friendly
IEC IP69K	SAE J1113-13
Tested to ECE Reg. 10 (Radiated Emissions only)	UL Recognized

## PHOTOMETRIC SPECIFICATIONS

<b>Raw Lumen Output</b>	1,080
<b>Effective Lumen Output</b>	780
<b>Nominal LED Color Temperature</b>	5000 K
<b>Beam Pattern(s)</b>	Forward Lighting - Flood (Standard)



## APPLICATIONS



# MS FOSTER

SERVING THE TRANSPORTATION INDUSTRY

1040 Highway 212  
Michigan City, IN 46360

OFFICE 219.879.9225  
TOLL FREE 888.452.4053  
FAX 219.879.9313

sales@msfoster.com  
www.msfoster.com

# LED Work Light - Model 670 XD

## ACCESSORIES



**Part Number**  
**8200101**  
Stainless Steel  
Mounting Kit for Work  
Lights & Marine Lights



**Part Number**  
**8200011**  
Magnet Mount Kit for  
XD Series Work Lights

## RELATED PRODUCTS



**Part Number**  
**1403251**  
12-24V LED Work Light  
with Trapezoid Beam  
Pattern



**Part Number**  
**1403261**  
12-24V LED Work Light  
with Spot Beam  
Pattern



**Part Number**  
**1403271**  
12-110V LED Work  
Light with Trapezoid  
Beam Pattern



**Part Number**  
**1403281**  
12-110V LED Work  
Light with Spot Beam  
Pattern



**Part Number**  
**1403291**  
12-110V LED Work  
Light with Flood Beam  
Pattern



**Part Number**  
**1403471**  
12-24V LED Heated  
Work Light with Flood  
Beam Pattern



**Part Number**  
**1403481**  
12-24V LED Heated  
Work Light with Spot  
Beam Pattern



**Part Number**  
**1403491**  
12-24V LED Heated  
Amber Work Light with  
Flood Beam Pattern



# MS FOSTER

SERVING THE TRANSPORTATION INDUSTRY

1040 Highway 212  
Michigan City, IN 46360

OFFICE 219.879.9225  
TOLL FREE 888.452.4053  
FAX 219.879.9313

sales@msfoster.com  
www.msfoster.com