



# CMS-T331

## PORTABLE CHANGEABLE MESSAGE SIGN CHARACTER MATRIX

3 Lines x 8 Characters

CATALOG NO: AMS30065209



### FEATURES

- Character Matrix
- 3 Lines x 8 Discrete Characters
- Minimum 30 day battery run time
- 18" High Characters
- Up to 8 Characters per line
- 2 Font sizes: 4x7 , 5x7
- NTCIP Compliant
- +1,000' Legibility
- 4,800' Viewability

### OPTIONS

- Cellular (CDMA / IXRTT , GSM / GPRS)
- WiFi
- Landline or Ethernet (TCP / IP) Options
- GPS
- Radar Overspeed Detection
- Queue Detection
- VoiceStar™ Highway Advisory Radio
- AIMSTAR™ Adjustable Solar Assembly
- Radar Data Logging & Graphing
- CCTV
- Expanded solar / battery bank

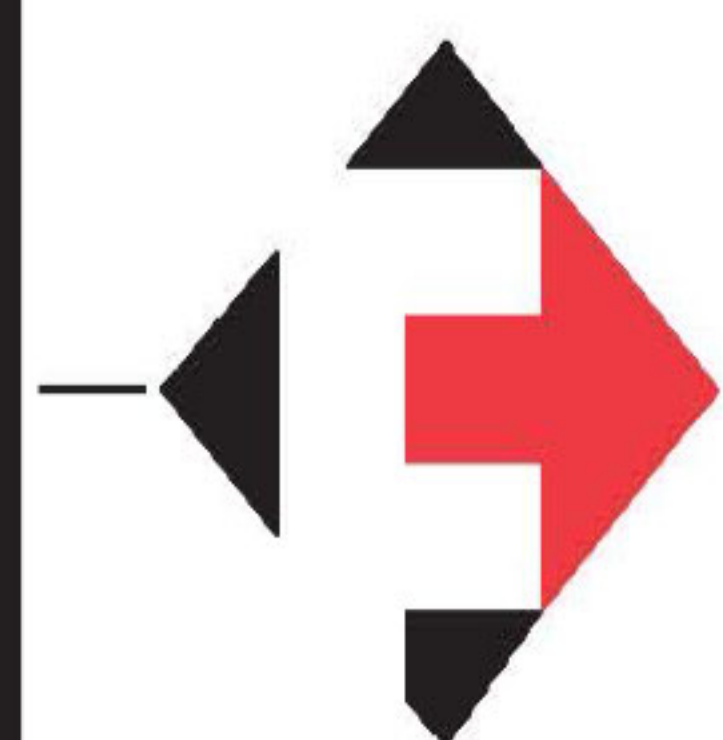
### MESSAGING AND LEGIBILITY

The CMS-T331 has the memory capacity to retain 200 pre-programmed messages, 200 user-generated messages, and 250 message sequences (up to 10 pages / sequence). The brightness, or intensity, of the LED portion of the display is regulated automatically via a photosensitive circuit that adjusts the LED intensity in response to ambient illumination, thus assuring superior visibility and legibility under all lighting conditions.

### GENERAL SPECIFICATIONS

The CMS-T331 from American Signal Company represents the latest advances in changeable message signs utilizing all-LED technology. The ability to furnish timely, pertinent, and dynamic traffic information to the motorist via alphanumeric text and/or graphic displays provides the engineer with a measure of traffic control, incident management, and congestion mitigation unmatched by other informational systems.

The CMS-T331 is a full size, three line, programmable changeable message sign utilizing all-LED display technology, is trailer mounted, provides for solar charging of the primary power supply batteries, and optionally may be remotely operable and/or interfaced with radar for use in traffic calming applications. The sign is capable of displaying one, two, or three line alphanumeric messages with each line comprised of eight individual display panels. Additionally, the CMS-T331 is available with a full color screen and QWERTY keyboard and can be integrated with other ITS field equipment.



**M. S. Foster & Associates, Inc.**

1040 HIGHWAY 212, MICHIGAN CITY, IN 46360

Toll Free 888-452-4053 219-879-9225

Web: [www.msfooster.com](http://www.msfooster.com) Email: [sales@msfooster.com](mailto:sales@msfooster.com)

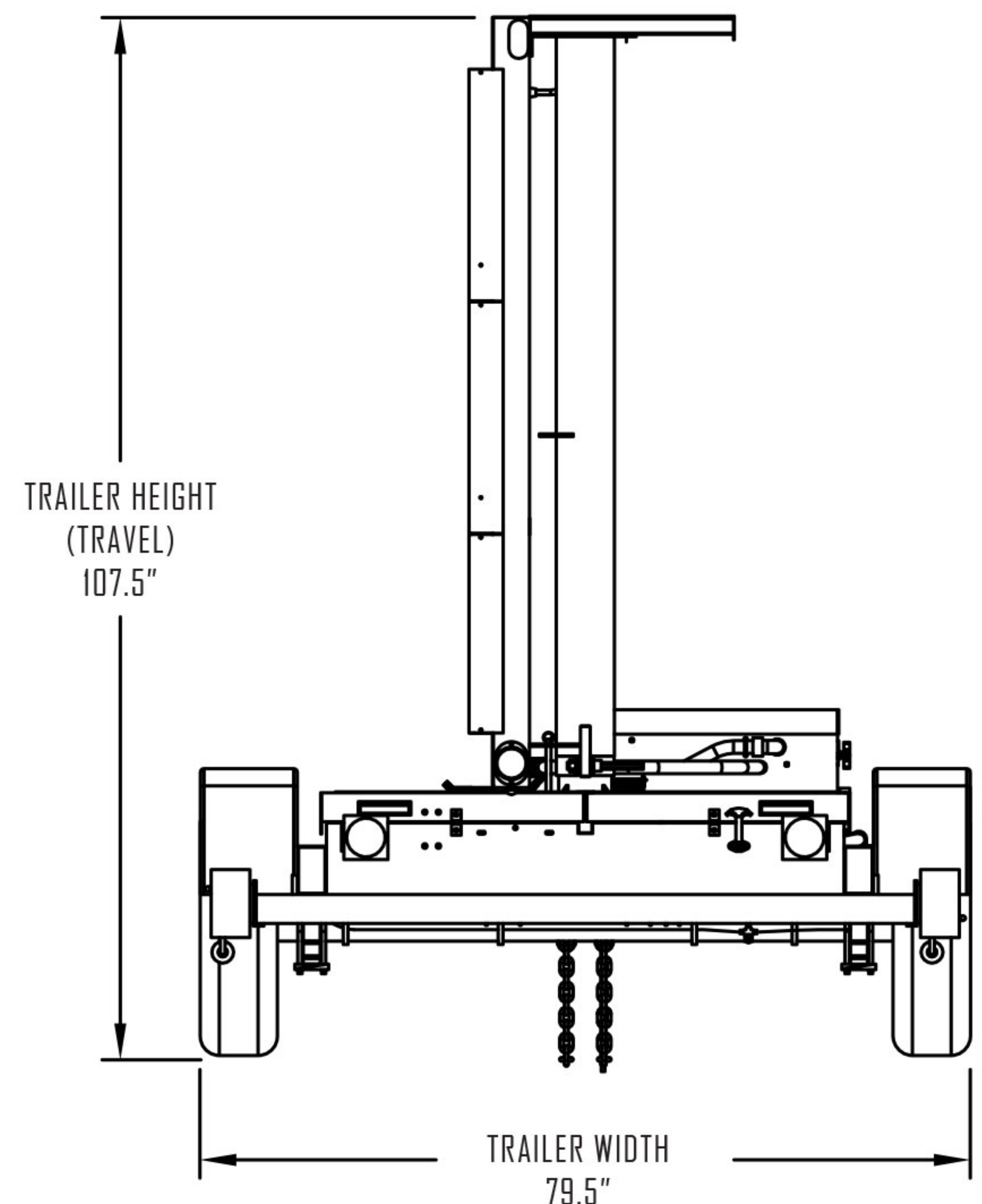
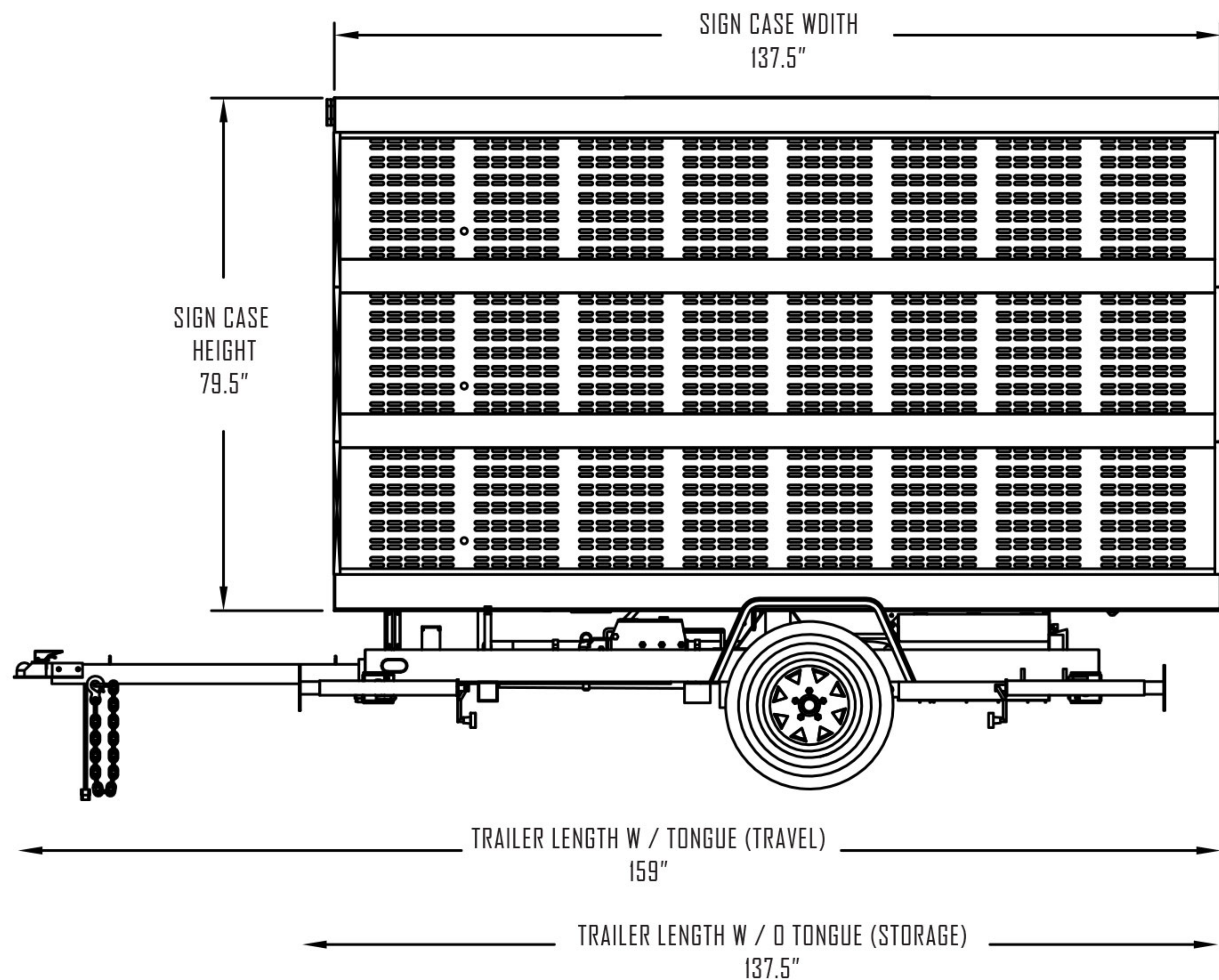




# CMS-T331

## PORTABLE CHANGEABLE MESSAGE SIGN

CATALOG NO: AMS30065209



### PHYSICAL / MECHANICAL

- Height (raised) 163.5" / 4.1m
- Height (storage) 107.5" / 2.7m
- Length (tongue) 159" / 4.0m
- Length (w/o tongue) 137.5" / 3.5m
- Width 79.5" / 2.0m
- Sign Case Width 137.5" / 3.5m
- Sign Case Height 79.5" / 2.0m

### ELECTRICAL / DISPLAY

- Matrix Type Discrete Character Matrix
- LEDs Per Pixel 4
- Angularity 30 Degrees
- Speed-Variable Timing .10 sec increments
- Matrix Size 21 Rows x 40 Columns
- LED Color 590 nm ITE Amber / Yellow
- Character Size 18"

### SOLR™ PRIMARY POWER OPTION

- Battery Life 30 Day standard, expanded battery bank optional
- Land Power On-board charger

### CONTROL / OPERATION

- Pre-Programmed Messages 200
- User-Defined Messages 200
- Message Sequences 250
- Control Panel Display Backlit LCD

### CHARACTER FONTS

Pixel Matrix	Normal Height	Characters Per Line	Lines Sign Face
4 x 7	18"	8	3
5 x 7	18"	8	3

GS-07F-0399L



\* Specifications/Technology is subject to change.