



# CMS-T333 Full Matrix

PORTABLE CHANGEABLE MESSAGE SIGN

Full Matrix 28 pixels x 50 pixels

CATALOG NO:  
**AMS30055269**



## GENERAL SPECIFICATIONS

The CMS-T333 from American Signal Company represents the latest advances in ALL-LED sign and highway safety technology. This ALL-LED, Full Matrix, Graphics capable display, utilizing 30 degree ITE Amber LEDs, combines American Signal Company's SOLR™ Primary Power System with our high quality trailer to give you the lowest cost and most effective portable/changeable message sign available today.

With the CMS-T333, users have the ability to furnish timely and pertinent traffic information to motorists via text and/or graphic display providing traffic control, incident management, and congestion mitigation that is unmatched by any other information system. American Signal Company's innovative Dynapoint™ Optical Technology, in combination with ultra-bright, wide-angle 30 degree amber LEDs provide enhanced visibility and legibility in both daylight and nighttime conditions.

## FEATURES

- Full Matrix 28 Rows x 50 Columns
- 1 line, 2 line, 3 line, 4 line messages
- Graphics and Animations
- 18" to 53" Characters
- Up to 12 Characters per line
- 9 Font sizes
- Minimum 30 day battery run time
- NTCIP Compliant

## OPTIONS

- Cellular (CDMA / IXRTT, GSM / GPRS)
- WiFi
- Landline or Ethernet (TCP / IP) Options
- GPS
- Radar Overspeed Detection
- Queue Detection
- VoiceStar™ Highway Advisory Radio
- AIMSTAR™ Adjustable Solar Assembly
- Graphic User Interface Software
- CCTV
- Vehicle Data Logging Capability
- Expanded solar / battery bank

## MESSAGING AND LEGIBILITY

- This Full Matrix Display gives you the power to deliver information via larger text and full sign sized graphics.
- Legibility distance over twelve hundred feet (1200').
- Over 200 factory pre-programmed MUTCD compliant messages.
- 9 character fonts with character heights from 18" to 53".
- Our LED design provides outstanding legibility in all weather conditions, with wide angle visibility.



**M. S. Foster & Associates, Inc.**

1040 HIGHWAY 212, MICHIGAN CITY, IN 46360

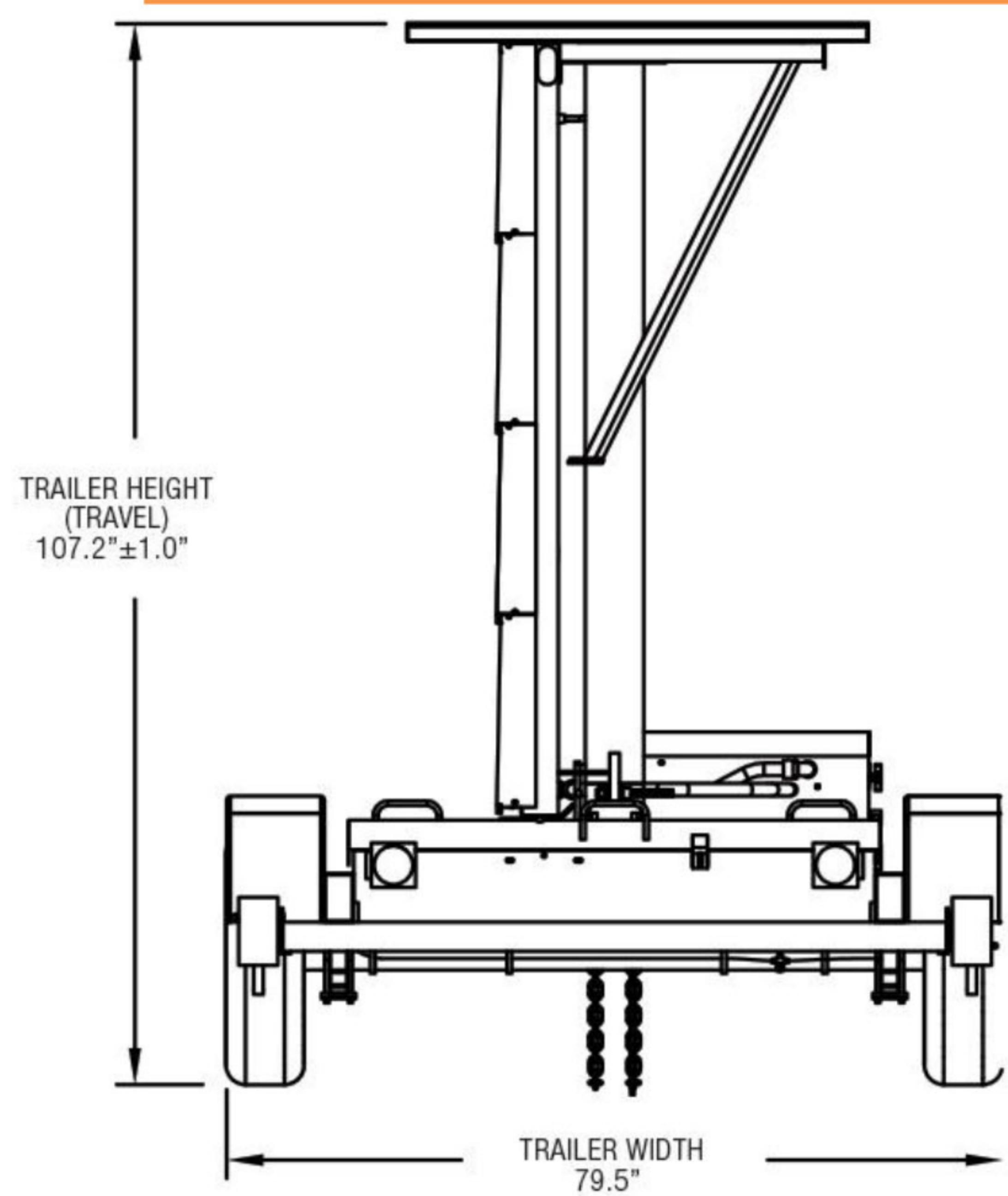
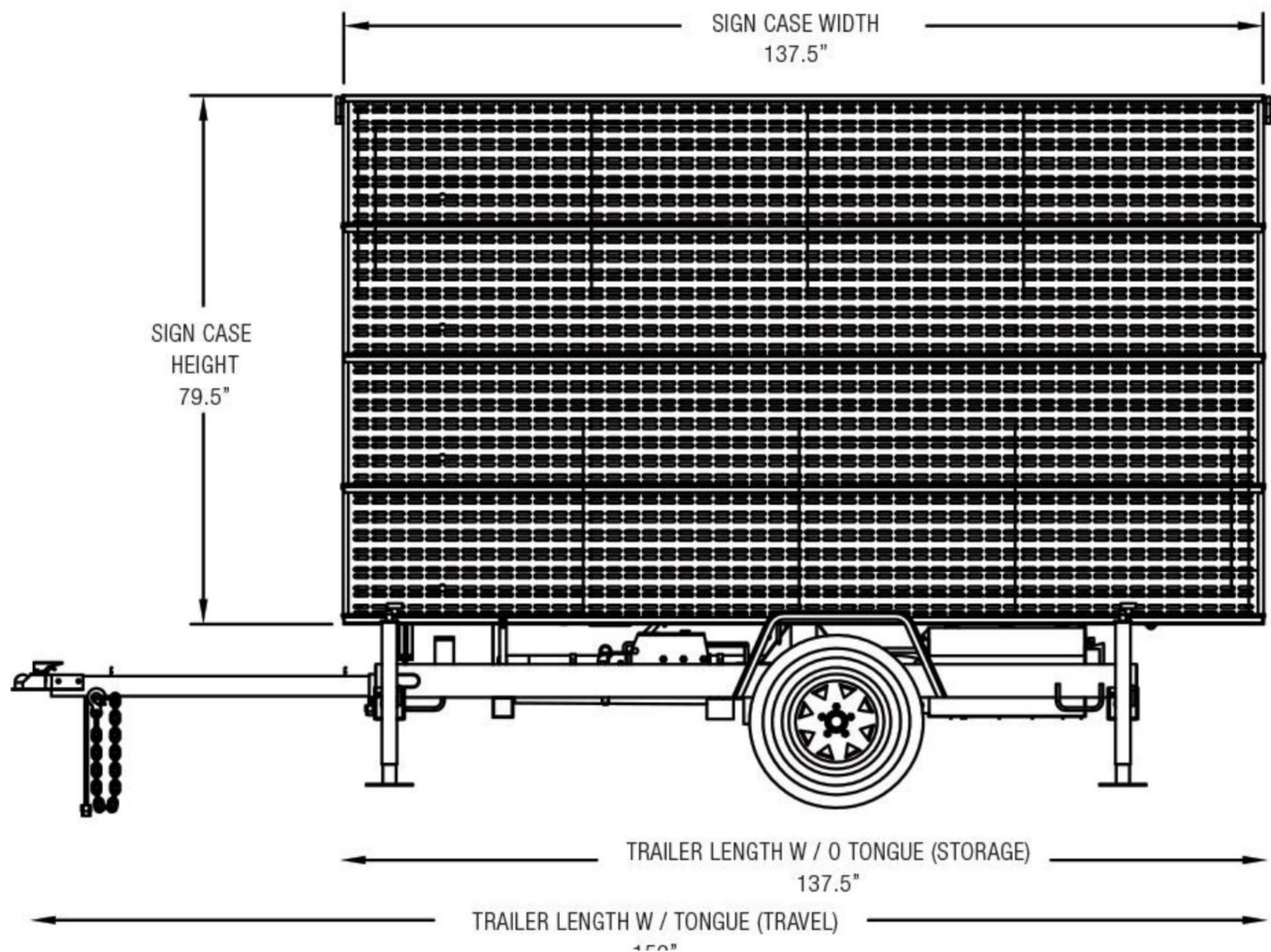
Toll Free 888-452-4053 219-879-9225

Web: [www.msfooster.com](http://www.msfooster.com) Email: [sales@msfooster.com](mailto:sales@msfooster.com)



**CMS-T333 Full Matrix**  
**PORTABLE CHANGEABLE MESSAGE SIGN**

**CATALOG NO:**  
**AMS30055269**



**PHYSICAL / MECHANICAL**

Height (raised)	163.5" / 4.1m
Height (storage)	107.5" / 2.7m
Length (tongue)	159" / 4.0m
Length (w/o tongue)	137.5" / 3.5m
Width	79.5" / 2.0m
Sign Case Width	137.5" / 3.49m
Sign Case Height	79.5" / 2.0m

**ELECTRICAL / DISPLAY**

Matrix Type	Full Matrix
LEDs Per Pixel	4
Angularity	30 Degrees
Speed-Variable	.10 sec increments
Timing	
Matrix Size	28 Rows x 50 Columns
LED Color	590 nm ITE Amber / Yellow
Character Size	18" to 53"

**SOLR™ PRIMARY POWER OPTION**

Battery Life	30 Day standard, expanded battery bank optional
Land Power	On-board charger

**CHARACTER FONTS**

Pixel Matrix	Normal Height	Characters Per Line	Lines Sign Face
3 x 7	18"	12	3
4 x 7	18"	10	3
5 x 7	18"	8	3
5 x 7w	18"	7	3
7 x 7	18"	6	3
7 x 7w	18"	5	3
6 x 11	28"	7	2
7 x 20	53"	6	1

**CONTROL / OPERATION**

Permanent (factory) Messages	230
User-Defined Messages	200
Message Sequences	250
Control Panel Display	Backlit LCD
Graphical Messages & Animations	150

\* Specifications/Technology is subject to change. v.1.0 JUL 2015