



# PORTABLE FLASHING ARROW PANELS

15- and 25-lamp, Types B & C

**MODELS T615, T625, T815, T825**  
CATALOG NUMBERS SUBJECT TO CHANGE



## FEATURES

- 15-lamp and 25-lamp configurations
- Type B (3'x6') and Type C (4'x8')
- High-Intensity LED lamps
- Indicator LED lamps on rear of display
- One-Mast structure for ease of transport
- Heavy-Duty steel frame
- Superior foot-print for maximum deployed stability
- Superior power management – over 50 days on batteries alone
- Simple & secured hand-held controller in lockable cabinet
- Single cabinet design for ease of operation & maintenance

## DISPLAY CHARACTERISTICS

- Flashing & Sequential\* Arrows
- Double Arrow
- Flashing & Sequential Chevrons\*
- Caution Bar
- Caution Beacons
- Alternate Diamonds\*

*\*indicates 25-lamp model only*

## OPTIONS

- Wireless Controller
- Multiple towing hitch options
- Expanded battery bank for greater run time
- Trailer color options
- Tandem towing package
- Security measures – locking lug nuts, cabinet hidden clasp lock

## GENERAL SPECIFICATIONS

American Signal Company's Flashing Arrow Panel products feature an all-LED, 15- or 25-lamp trailer mounted display. These arrow board trailers are equipped with a high-wattage solar panel and low-maintenance battery bank. The Amsig FAP product line encourages motorist awareness and work zone safety, and is well suited for both highway and urban use.



# MS FOSTER

SERVING THE TRANSPORTATION INDUSTRY

MS Foster & Associates, Inc.  
1040 HIGHWAY 212  
MICHIGAN CITY, IN 46360  
OFFICE 219.879.9225  
TOLL FREE 888.452.4053  
FAX 219.879.9313  
sales@msfoster.com  
www.msfooster.com

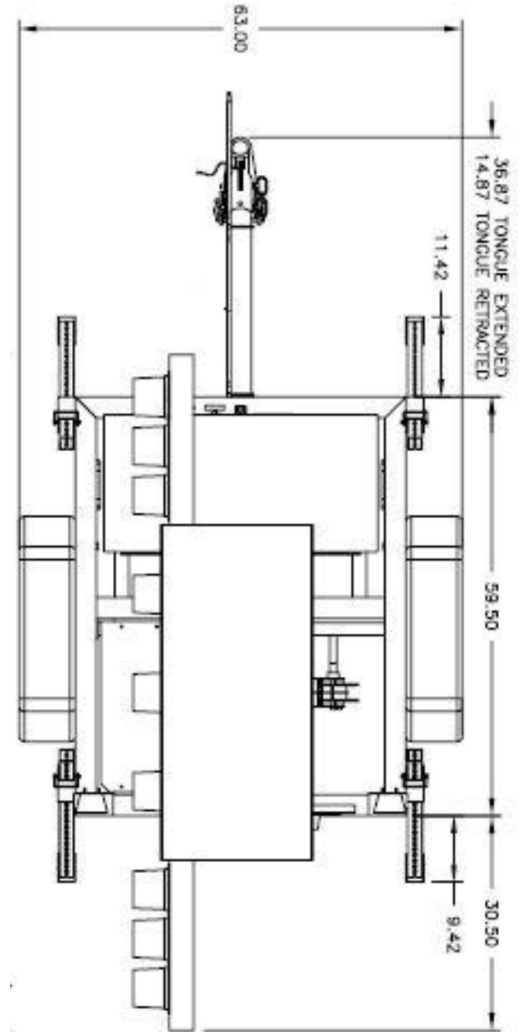
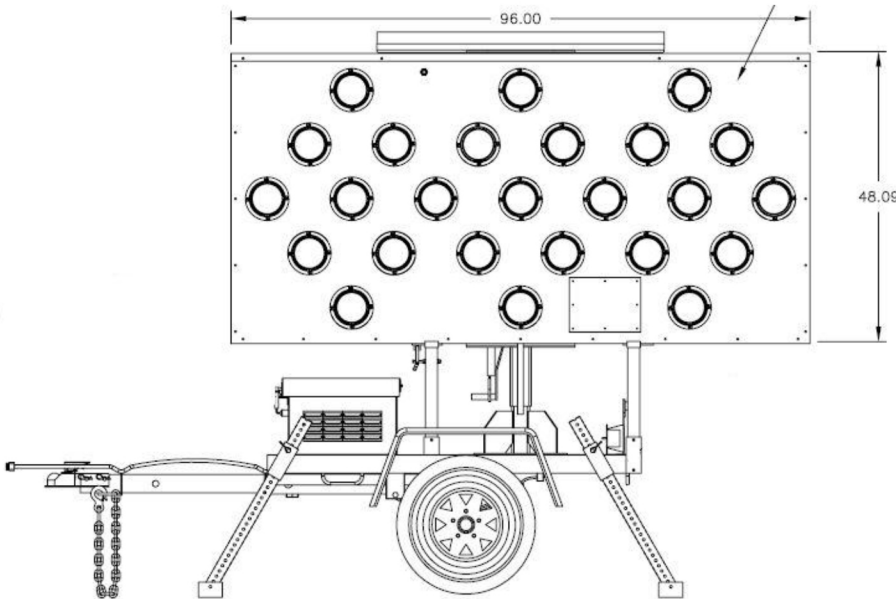


# PORTABLE FLASHING ARROW PANELS

15- and 25-lamp, Types B & C

**MODELS T615, T625, T815, T825**  
 CATALOG NUMBERS SUBJECT TO CHANGE

MODEL	LAMPS	SIZE	LEGIBILITY
T615	15	TYPE B, 3'X6'	3/4 MILE
T625	25	TYPE B, 3'X6'	3/4 MILE
T815	15	TYPE C, 4'X8'	1 MILE
T825	25	TYPE C, 4'X8'	1 MILE



## TRAILER

Height	94" (storage & travel)	120-132" (deployed)
Length	127" (travel)	80" (w/ tongue removed)
Width	63"	
Trailer Frame	Steel Tube	3"x3" ASTM A 500 Grade B
Battery & Control Cabinet	Aluminum, locking & weatherproof	3003-H14
Solar	40W	Options Available
Batteries	2x6VDC Lead Acid	Options Available
Hitch	2" ball	Options Available



# MS FOSTER

SERVING THE TRANSPORTATION INDUSTRY

MS Foster & Associates, Inc.  
 1040 HIGHWAY 212  
 MICHIGAN CITY, IN 46360  
 OFFICE 219.879.9225  
 TOLL FREE 888.452.4053  
 FAX 219.879.9313  
 sales@msfoster.com  
 www.msfooster.com