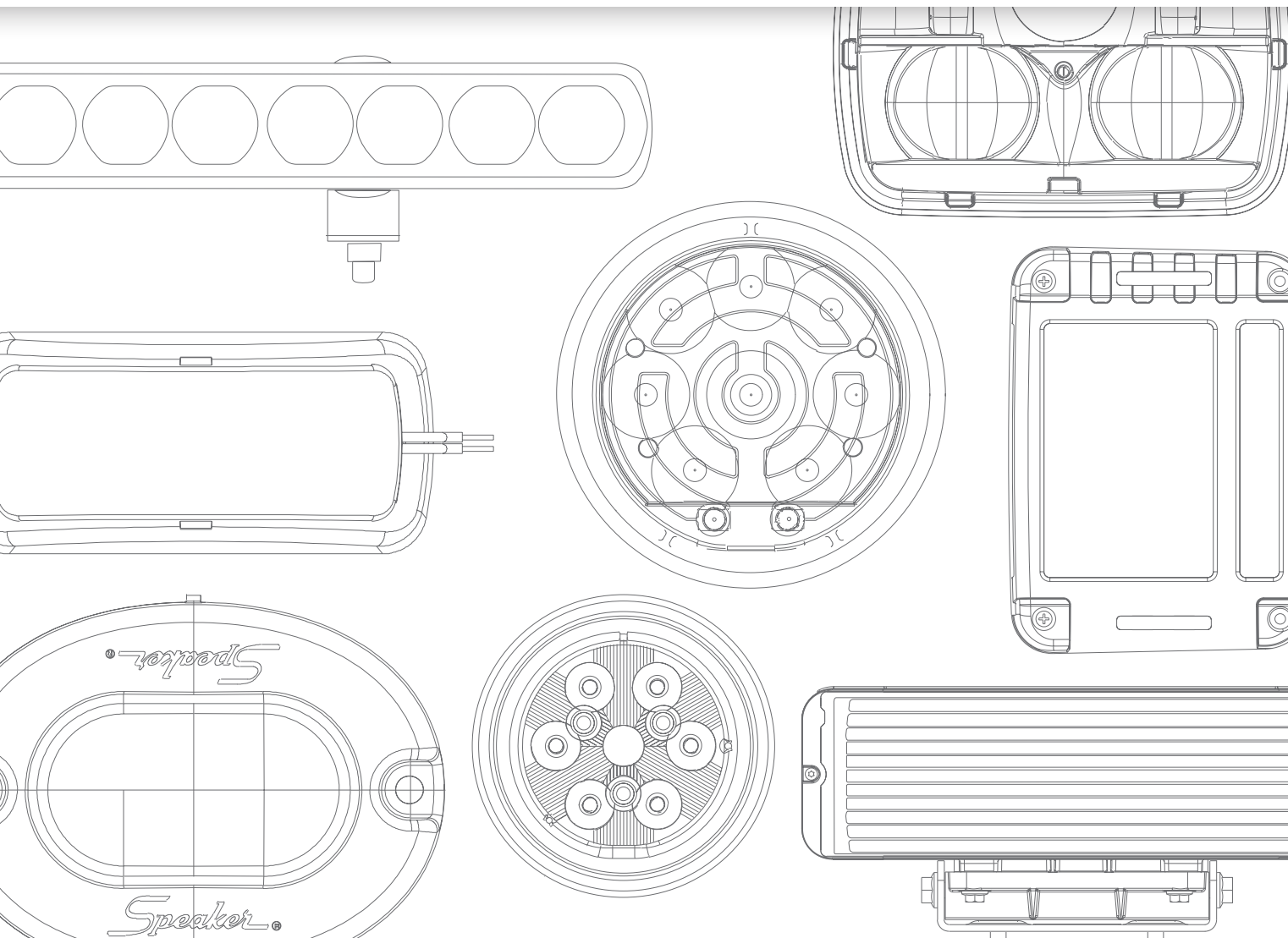


WORK LIGHT CATALOG



J.W. SPEAKER BRINGS SCIENCE & DESIGN TOGETHER.

We view vehicle lighting from the perspective that matters most — Yours. Our engineers advance the science of light further each day to improve your safety. Our designers make vehicles look more beautiful from every point of view. You only get this unique mix of **science & design** from authentic J.W. Speaker products.

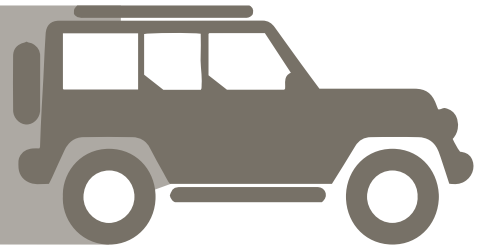


TABLE OF CONTENTS

| | |
|--------------------------------|----------------|
| Icon Guide | 4 |
| Regulations & Key Terms | 5 |
| Lumens & Beam Patterns | 7 |
| Color Temperature & IP Ratings | 8 |
| Work Light Beam Patterns | 9 |
| Company History | 10-11 |
| Worklights | 12-50 |
| SmartHeat® | 51-64 |
| Stop & Tail Lights | 65-91 |
| Interior Lights | 92-100 |
| Warning Lights | 101-116 |
| Index | 117-121 |
| OEM | 122 |
| Aftermarket | 123 |



ICON GUIDE

AUTOMOTIVE = 

POWER SPORTS = 



JEEP 4X4



PICKUP TRUCK



MOTORCYCLE



UTV/ATV

TRANSPORT = 



HEAVY DUTY TRUCK



EMERGENCY VEHICLE



BUS

INDUSTRIAL = 



MATERIAL HANDLING



MINING



CONSTRUCTION



AGRICULTURE

SURPASSING STANDARDS WORLDWIDE.

J.W. Speaker is committed to making the best products to be used legally on-road around the world. To do that, we design lights that meet and exceed the requirements for a variety of regulations:



The Federal Motor Vehicle Safety Standard regulates all automotive lighting, signaling, and reflective devices in the U.S.A. and is enforced by the Department of Transportation (**DOT**)



Many countries recognize the United Nations Economic Commission for Europe (**ECE**) Transport Division's regulations and mirror the ECE regulations in their own national requirements



SAE International develops standards for the engineering of powered vehicles mainly in the U.S.A. and Canada, including cars, trucks, boats, aircraft, and more



Transport Canada is responsible for developing regulations, policies, and services relating to transportation in Canada



The Australian Design Rules (**ADR**) are national standards for vehicle safety, anti-theft, and emissions

KEY TERMS

Daytime Running Light (DRL): Headlights that include DRL in their design will automatically switch on the daytime running lamp when the vehicle is moving forward, emitting a white light to increase the visibility of the vehicle during daylight conditions.

Front Position (FP): This part of a headlight provides added visibility of your vehicle to other drivers, particularly helpful for nighttime visibility while parked.

Left Hand Traffic (LHT): referring to which side of the road a driver uses. For instance, a driver in the UK is Left Hand Traffic and would use two LHT lights.

Right Hand Traffic (RHT): referring to which side of the road a driver uses. For instance, a driver in Canada is Right Hand Traffic would use two RHT lights.





LUMENS & BEAM PATTERNS

RAW LUMENS:

A measure of the **theoretical** output of a light

Calculated by multiplying the manufacturer's lumen rating for the LED by the number of LEDs in the finished light

Does not represent the actual light output as it doesn't account for thermal, assembly and optical losses that impact all lights

Example Calculation:

LED is rated at 100 Lumens

8 LEDs in the finished light

100 x 8 = 800 Raw Lumens

EFFECTIVE LUMENS:

A measure of the **actual** output of a light

Measured using a photometric testing device for an exact measurement of a finished light for an accurate value of light output

Represents the actual light output of the finished light after thermal, assembly and optical losses

Example Measurement:

Raw Lumens = 800

Losses = ~40% of Raw Lumens (800 x .4 = 320)

800 - 320 = 480 Effective Lumens

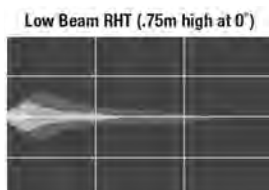
J.W. Speaker uses photometric testing devices and optical engineers to measure the Effective Lumens of our products to give you accurate light output values.

BEAM PATTERNS

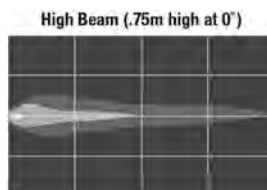
Each light pattern is designed and tested by optical engineers to give you the best possible beam pattern to drive behind.

Below are examples of the common beam patterns.

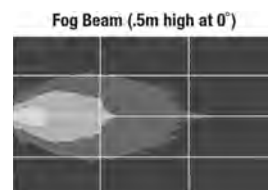
Our engineers design each product to project light in the areas you need it **and** comply with the legal requirements for on-road use in the countries the product is intended to be used in.



Illuminates across the road and ahead of the vehicle, with a cutoff to prevent glare for oncoming traffic



Bright light for distance illumination above and below the horizon, when not following or passing vehicles



Short and wide pattern to illuminate area just above the ground & in front of the vehicle

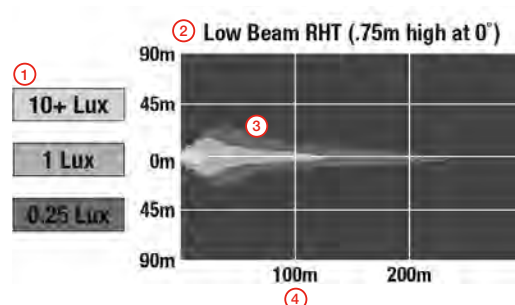
PARTS OF A LIGHT DIAGRAM

Lux Key¹: Intensity of the light measured

Title²: The type of beam pattern, and the height and angle of the light when it was measured

Light Pattern³: A "bird's eye view" showing the shape, intensity, and distance

Distance Markers⁴: Reference in meters (m) for the size and distance of the light pattern



COLOR TEMPERATURE & IP RATINGS

Measured in degrees Kelvin, color temperature describes how cool or warm the light emitted by a source is. Any object will emit light if it is heated to a high enough temperature. The color of the light will change in a predictable way as the temperature increases, shown on the Kelvin Scale.

Warm: 0 to 3,000K

Used in living spaces or retail stores
 Similar to the rising and setting sun
 Can fatigue eyes and make people feel tired

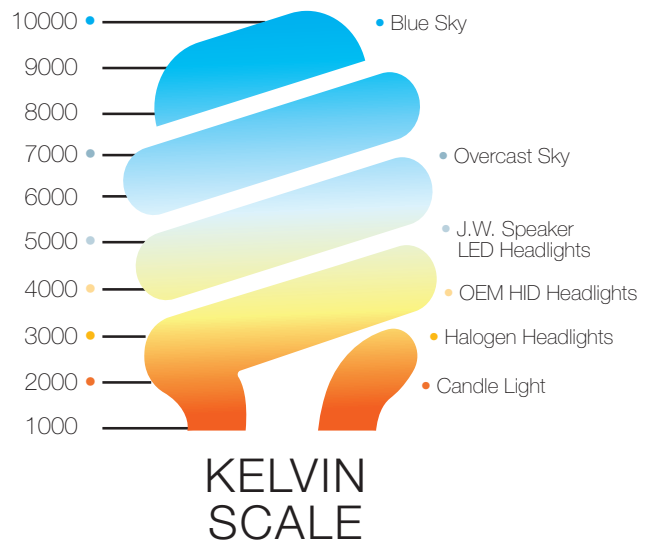
Neutral White: 3,500 to 4,900K

Used in bathrooms, offices, classrooms & malls
 Clean and neutral lighting that is inviting
 Promotes efficiency and similar to daylight

Cool: 5,000-7,000K

Used in hospitals, manufacturing, & construction areas
 Promotes alertness and attention to detail
 Mimics daylight and makes people feel more awake

J.W. Speaker uses LEDs and designs lights with a color temperature of 5,000K to give drivers crisp, white light for the best visibility, and to promote alertness and safety.



Color temperature does not measure or indicate the physical heat coming from a light source.

IP RATINGS

The Ingress Protection (IP) Code outlines a system of classification for the protection of electrical enclosures against the intrusion of foreign bodies like tools, fingers, dust, and moisture. The system of classification was specified by the International Electrotechnical Commission and is officially designated as IEC 60529.

FIRST # - DEGREE OF INGRESS PROTECTION

The degree of protection against contact with moving parts and the degree that the equipment is protected against solid foreign bodies intruding into an enclosure.

| IP # | DESCRIPTION |
|------|--|
| 0 | No protection provided. |
| 1 | Protection against entry of objects larger than 50 square mm. |
| 2 | Protection against entry of objects larger than 12 square mm. |
| 3 | Protection against entry of objects larger than 2.5 square mm. |
| 4 | Protection against entry of objects larger than 1.0 square mm. |
| 5 | Protection against entry of dust in sufficient quantity to prevent satisfactory operation. |
| 6 | Complete protection against entry dust. |

SECOND # - DEGREE OF MOISTURE PROTECTION

The degree of protection for the equipment inside the enclosure against the harmful entry of various forms of moisture (e.g. dripping, spraying, submersion, etc.)

| IP # | DESCRIPTION |
|------|---|
| 0 | No protection provided. |
| 1 | Protection against drops of water falling vertically. |
| 2 | Protection against drops of water falling vertically when the light assembly is tilted up to 15 degrees from its normal position. |
| 3 | Protection from entry of water spray from angle of up to 60 degrees from vertical. |
| 4 | Protection from entry of water splashes or spray from any direction. |
| 5 | Protection from a low pressure jet of water in any direction. |
| 6 | Protection against heavy seas or a strong jet of water in any direction. |
| 7 | Protection against immersion up to 1 meter. |
| 8 | Protection against submersion over 1 meter. |
| 9K | Protection against high pressure cleaning |

WORK LIGHT BEAM PATTERNS

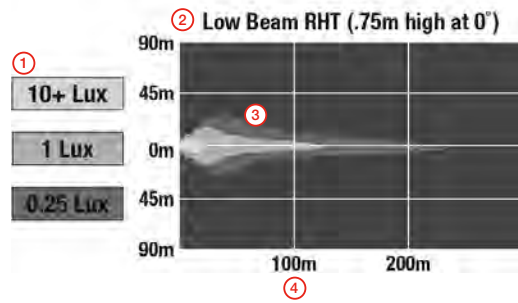
PARTS OF A LIGHT DIAGRAM

Lux Key¹: Intensity of the light measured

Title²: The type of beam pattern, and the height and angle of the light when it was measured

Light Pattern³: A "bird's eye view" showing the shape, intensity, and distance

Distance Markers⁴: Reference in meters (m) for the size and distance of the light pattern

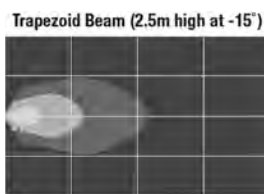


WORK LIGHTS

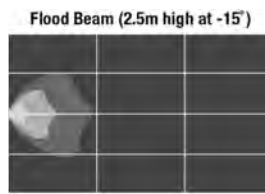
Each light pattern is designed and tested by optical engineers to give you the best possible beam pattern to drive behind.

Below are examples of the common beam patterns.

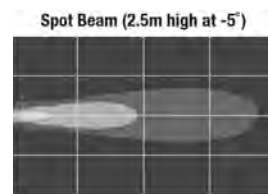
Our engineers design each product to project light in the areas you need it and comply with the legal requirements for on-road use in the countries the product is intended to be used in.



A general purpose work light and ideal for use where a narrower pattern for longer visibility is required.



Short and wide pattern to evenly illuminate a work zone area. Flood lights can have tailored degrees of flood from 20° up to 120°.



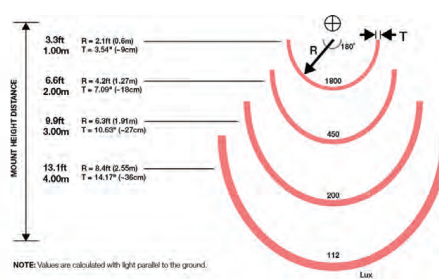
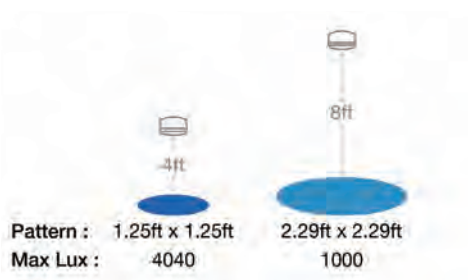
A powerful supplement to Flood, Trap and low beam to illuminated roads or paddocks at longer distances.

WARNING LIGHTS

Our safety and warning lights draw attention to hazardous conditions in industrial facilities, construction zones, and on agricultural equipment and alert employees and the public to potential dangerous situations.

Whether you need to indicate a hazardous location or remind workers of personal safety requirements, help establish safety awareness with LED warning lights.

Below are examples of the common beam patterns.



A LEGACY OF INNOVATION

OEM ORIGINS

1935

J.W. Speaker Corporation founded by John W. Speaker to manufacture tube & tire repair products



1940S

Supplied the U.S. Military during World War II, including compact folding stoves and tire repair products; Designed & patented the iconic P-38 can openers and Heatab dry fuel.

After the war, shifted focus to manufacturing mirrors and lighting products for trucks and cars.



1960S

John W. Speaker unexpectedly passed away and his son, Jack, became President.

Expanded into lighting on original equipment manufacturing (OEM) for lawn & garden and golf & turf tractors.

1980S

Tim & Jamie Speaker, grandsons of the founder John W. Speaker, formally join the company and became Co-Presidents.

J.W. Speaker became solely focused on vehicle lighting, growing the business with custom designed lighting for agriculture OEM customers



1990S

Production on first custom headlamp for Arctic Cat snowmobile began, pushing into the power sport market.

Partnerships with premier OEM customers like Harley-Davidson, U.S. military, and development on custom lighting products began.



AND AFTERMARKET GROWTH



First LED light with solid optic technology designed, providing a pathway for future product development

2000S

International expansion and growing portfolio of OEM products in the industrial, mining, power sport, and construction markets



Harnessed experience from OEM products and entered the aftermarket with the first-of its-kind 7" round LED headlight for Jeeps

2012

Established distribution channels and expanded the company product portfolio into the aftermarket

Launched the world's first Adaptive Motorcycle Headlight™ with technology that automatically fills dark areas of the road when cornering on a bike

2015



SmartHeat® technology launched in headlights and work lights with integrated lens technology to de-ice lenses, to improve driver visibility & safety

2017



Released Evo J3™ headlight and Trail 6™ off-road light, both compatible with new J-Link™ mobile app, giving drivers control and customization options for their lights

2019



WORK LIGHTS

WORK LIGHT BEAM PATTERNS

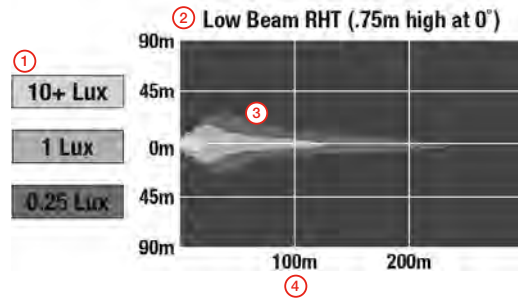
PARTS OF A LIGHT DIAGRAM

Lux Key¹: Intensity of the light measured

Title²: The type of beam pattern, and the height and angle of the light when it was measured

Light Pattern³: A "bird's eye view" showing the shape, intensity, and distance

Distance Markers⁴: Reference in meters (m) for the size and distance of the light pattern



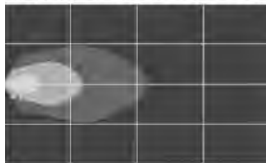
WORK LIGHTS

Each light pattern is designed and tested by optical engineers to give you the best possible beam pattern to drive behind.

Below are examples of the common beam patterns.

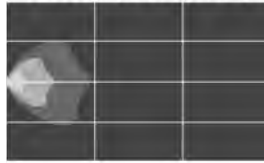
Our engineers design each product to project light in the areas you need it and comply with the legal requirements for on-road use in the countries the product is intended to be used in.

Trapezoid Beam (2.5m high at -15°)



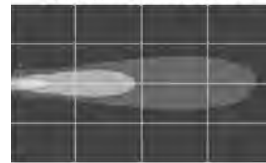
A general purpose work light and ideal for use where a narrower pattern for longer visibility is required.

Flood Beam (2.5m high at -15°)



Short and wide pattern to evenly illuminate a work zone area. Flood lights can have tailored degrees of flood from 20° up to 120°.

Spot Beam (2.5m high at -5°)



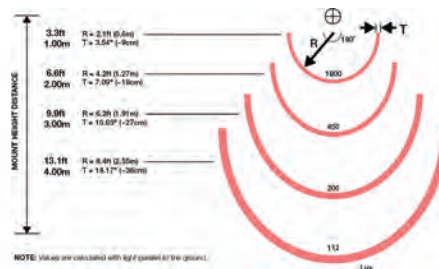
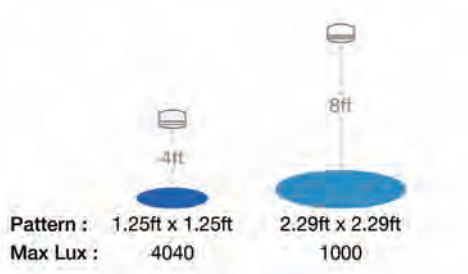
A powerful supplement to Flood, Trap and low beam to illuminate roads or paddocks at longer distances.

WARNING LIGHTS

Our safety and warning lights draw attention to hazardous conditions in industrial facilities, construction zones, and on agricultural equipment and alert employees and the public to potential dangerous situations.

Whether you need to indicate a hazardous location or remind workers of personal safety requirements, help establish safety awareness with LED warning lights.

Below are examples of the common beam patterns.



MODEL 502

PRODUCT SPECIFICATIONS

Raw Lumen Output:
1,500

Effective Lumen Output:
1,070

Connector/Wiring:
11" Bare Leads

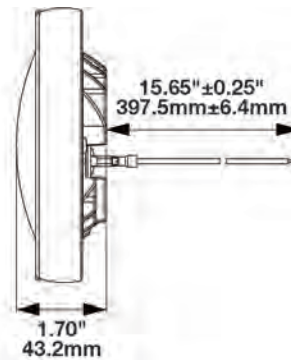
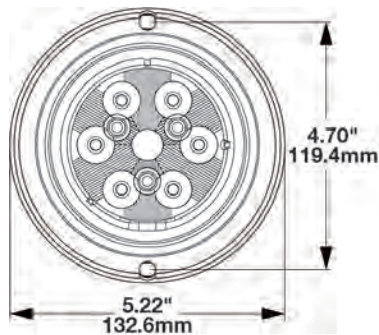
Operating Voltage:
10-60V DC

Current Draw:
1.04A @ 12V DC
0.5A @ 24V DC
0.33A @ 36V DC
0.26A @ 48V DC

Application & Standards:

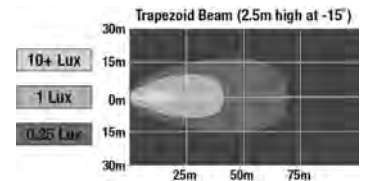


⚠ **WARNING:** Cancer and Reproductive Harm - www.P65Warnings.ca.gov
⚠ **AVERTISSEMENT:** Cancer et effet nocif sur la reproduction - www.P65Warnings.ca.gov



PART # DESCRIPTION

0942431 12-48V LED Work Light with Trapezoid Beam Pattern



MODEL 518



PRODUCT SPECIFICATIONS

Raw Lumen Output:
1,700

Effective Lumen Output:
1,000

Connector/Wiring:
2-Pin Deutsch Weather-Proof Plug (DT06-2S)

Operating Voltage:
9-32V DC

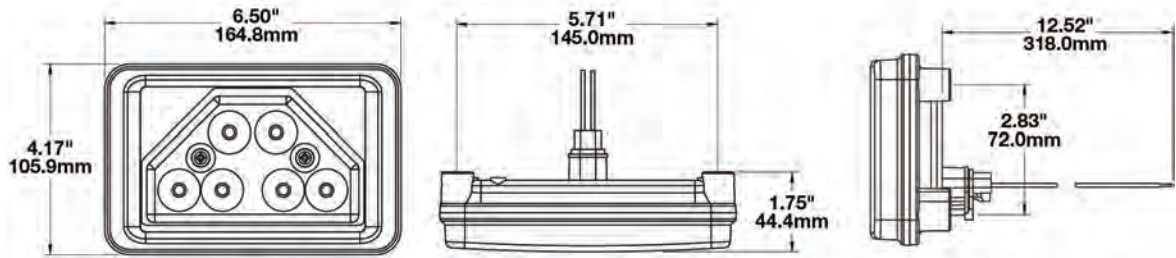
Current Draw:
1.6A @ 12V DC
0.8A @ 24V DC

Application & Standards:

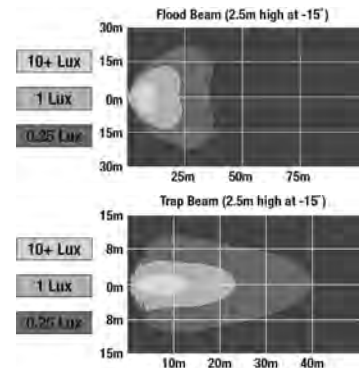


⚠ **WARNING:** Cancer and Reproductive Harm - www.P65Warnings.ca.gov

⚠ **AVERTISSEMENT:** Cancer et effet nocif sur la reproduction - www.P65Warnings.ca.gov



| PART # | DESCRIPTION |
|---------|---|
| 1300281 | 12-24V LED Work Light with Flood Beam Pattern & Low Profile Mount |
| 1300271 | 12-24V LED Work Light with Trapezoid Beam Pattern & Low Profile Mount |



PRODUCT SPECIFICATIONS

Raw Lumen Output:
8,100

Effective Lumen Output:
3,900

Connector/Wiring:
Integrated 2-Pin Deutsch Connector (DT04-2P)

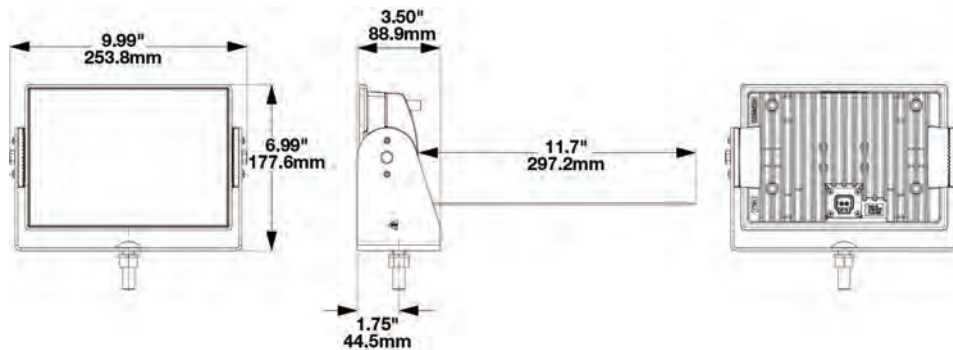
Operating Voltage:
12-24V DC

Current Draw:
6.70A @ 12V DC
3.70A @ 24V DC

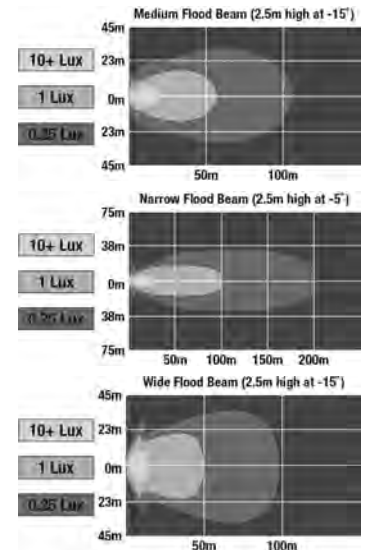
Application & Standards:



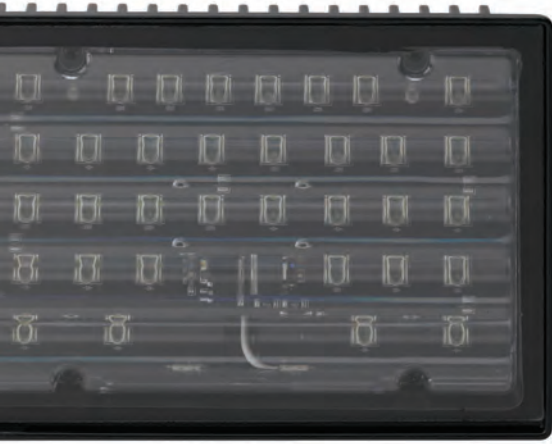
⚠ **WARNING:** Cancer and Reproductive Harm - www.P65Warnings.ca.gov
⚠ **AVERTISSEMENT:** Cancer et effet nocif sur la reproduction - www.P65Warnings.ca.gov



| PART # | DESCRIPTION |
|---------|---|
| 0551431 | 12-24V LED Work Light with Medium Flood Beam Pattern |
| 0551441 | 12-24V LED Work Light with Narrow Flood Beam Pattern |
| 0551451 | 12-24V LED Work Light with Wide Flood Beam Pattern |
| 0549641 | 12-24V LED Work Light with Narrow Flood Beam Pattern & Yellow Housing |
| 0549631 | 12-24V LED Work Light with Wide Flood Beam Pattern & Yellow Housing |



MODEL 523 WIDE FLOOD



PRODUCT SPECIFICATIONS

Raw Lumen Output:
8,100

Effective Lumen Output:
3,900

Connector/Wiring:
Integrated 2-Pin Deutsch Connector (DT04-2P)

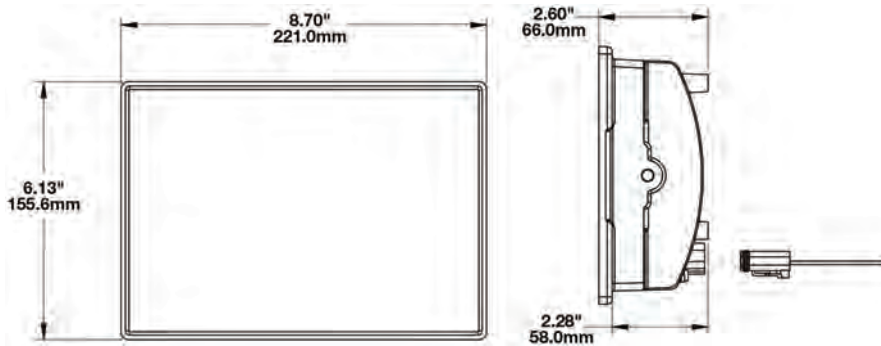
Operating Voltage:

Current Draw:
6.7A @ 12V DC
3.7A @ 24V DC

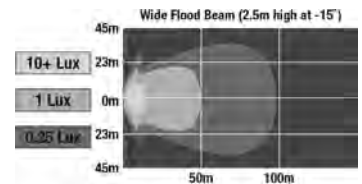
Application & Standards:



⚠ **WARNING:** Cancer and Reproductive Harm - www.P65Warnings.ca.gov
⚠ **AVERTISSEMENT:** Cancer et effet nocif sur la reproduction - www.P65Warnings.ca.gov



| PART # | DESCRIPTION |
|---------|--|
| 0543881 | 12-24V LED Work Light with Wide Flood Beam Pattern |



MODEL 526

PRODUCT SPECIFICATIONS

Raw Lumen Output:
9,000

Effective Lumen Output:
5,800

Connector/Wiring:
iCONN Connector - iMATE23

Operating Voltage:
10-32V DC

Current Draw:
9.00A @ 12V DC
5.00A @ 24V DC

Application & Standards:



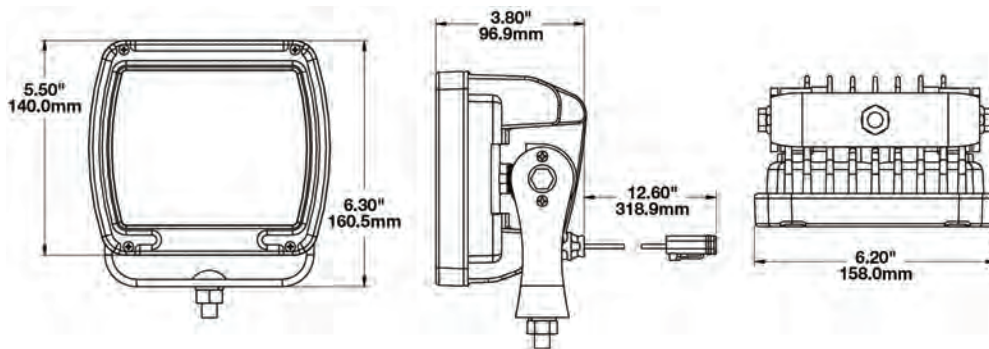
TRAP BEAM



LOW BEAM

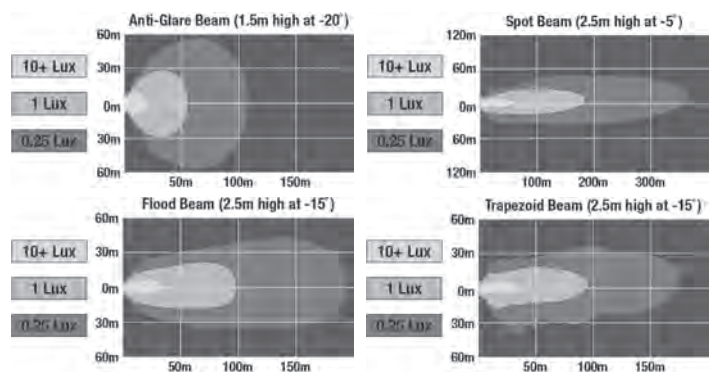


⚠ **WARNING:** Cancer and Reproductive Harm - www.P65Warnings.ca.gov
⚠ **AVERTISSEMENT:** Cancer et effet nocif sur la reproduction - www.P65Warnings.ca.gov

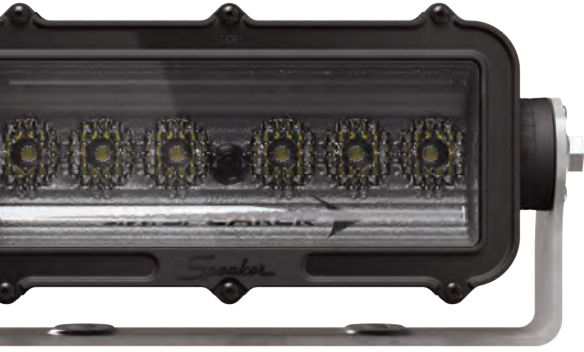


PART # DESCRIPTION

| | |
|---------|---|
| 1300431 | Black/Polycarbonate Lens/Flood Beam |
| 1300441 | Black/Polycarbonate Lens/Spot Beam |
| 1300451 | Black/Polycarbonate Lens/Trapezoid Beam |
| 1300483 | Black/Polycarbonate Lens/Flood Beam/2 Light Kit |
| 1300461 | Black/Polycarbonate Lens/Anti-Glare Beam |
| 1300201 | Yellow/Polycarbonate Lens/Flood Beam |
| 1300191 | Yellow/Polycarbonate Lens/Anti-Glare Beam |
| 1300221 | Yellow/Polycarbonate Lens/Spot Beam |
| 1300211 | Yellow/Polycarbonate Lens/Trapezoid Beam |
| 1300061 | Yellow/Glass Lens/Flood Beam |
| 1300051 | Yellow/Glass Lens/Anti-Glare Beam |
| 1300081 | Yellow/Glass Lens/Spot Beam |
| 1300071 | Yellow/Glass Lens/Trapezoid Beam |



MODEL 528



PRODUCT SPECIFICATIONS

Raw Lumen Output:
2,400

Effective Lumen Output:
1,500

Candela Output:
2,800

Connector/Wiring:
Integrated 2-Pin Deutsch Connector (DT04-2P)

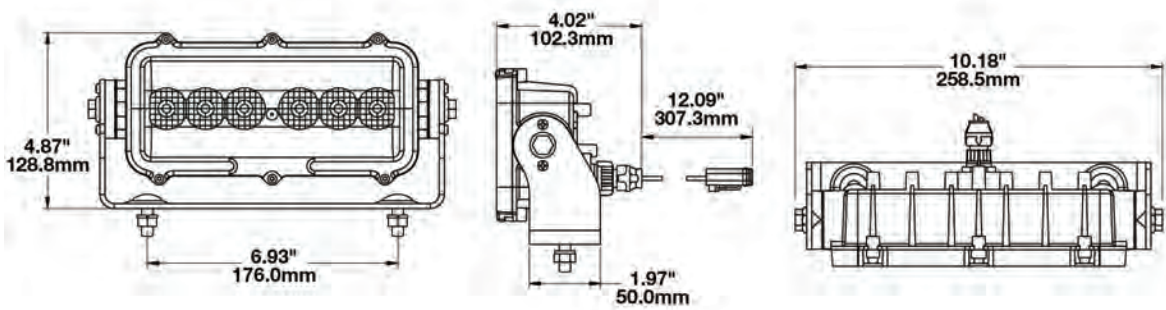
Operating Voltage:
10-32V DC

Current Draw:
1.60A @ 12V DC
0.85A @ 24V DC

Application & Standards:



⚠ **WARNING:** Cancer and Reproductive Harm - www.P65Warnings.ca.gov
⚠ **AVERTISSEMENT:** Cancer et effet nocif sur la reproduction - www.P65Warnings.ca.gov



PART # DESCRIPTION

0551251 12-24V LED White Work Light

PRODUCT SPECIFICATIONS

Raw Lumen Output:
40,000; 33,600

Effective Lumen Output:
20,000; 20,500

Connector/Wiring:

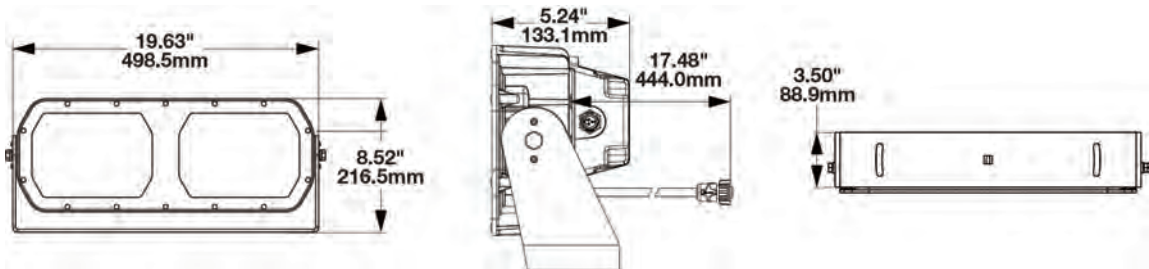
Operating Voltage:
16-60V; 100-277V DC

Current Draw:
10A @ 24V DC
5A @ 48V DC
4A @ 115V AC

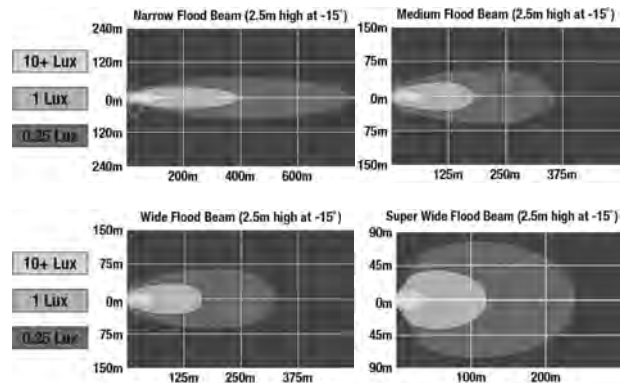
Application & Standards:



⚠ WARNING: Cancer and Reproductive Harm - www.P65Warnings.ca.gov
⚠ AVERTISSEMENT: Cancer et effet nocif sur la reproduction - www.P65Warnings.ca.gov



| PART # | DESCRIPTION |
|---------|--|
| 0546681 | 16-60V LED Work Light with Medium Flood Beam Pattern |
| 0546671 | 16-60V LED Work Light with Narrow Flood Beam Pattern |
| 0546691 | 16-60V LED Work Light with Wide Flood Beam Pattern |
| 0556173 | 100-277V LED Work Light with Narrow Flood Beam Pattern - Kit |
| 0556183 | 100-277V LED Work Light with Medium Flood Beam Pattern - Kit |
| 0556193 | 100-277V LED Work Light with Wide Flood Beam Pattern - Kit |



MODEL 660

PRODUCT SPECIFICATIONS

PANEL MOUNT



PEDESTAL MOUNT



Raw Lumen Output:
2,750

Effective Lumen Output:
2,200

Connector/Wiring:
Packard (#12059183)

Operating Voltage:
9-28V DC

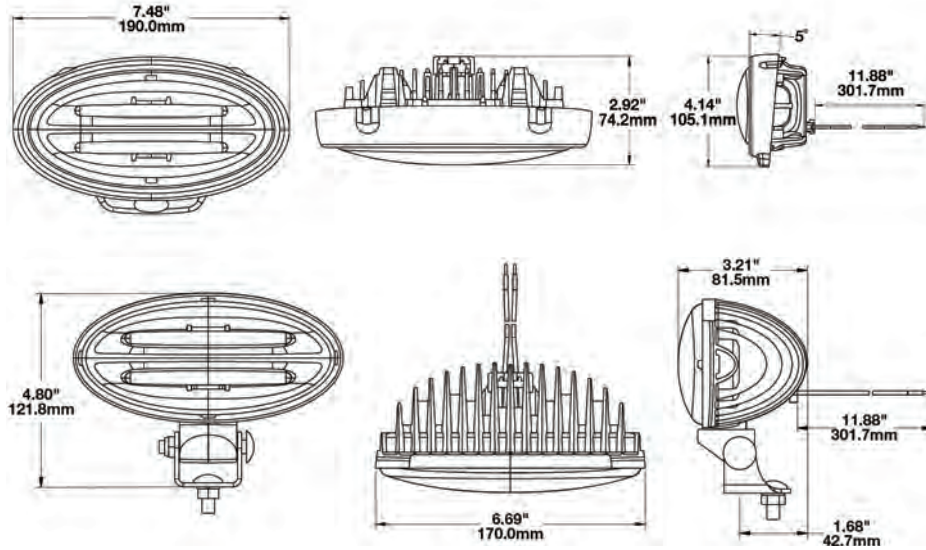
Current Draw:
2.0A @ 12V DC
1.0A @ 24V DC

Application & Standards:



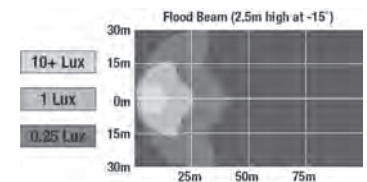
⚠ **WARNING:** Cancer and Reproductive Harm - www.P65Warnings.ca.gov

⚠ **AVERTISSEMENT:** Cancer et effet nocif sur la reproduction - www.P65Warnings.ca.gov



PART # DESCRIPTION

| | |
|---------|--|
| 0548511 | 12-24V LED Work Light with Flood Beam Pattern & Pedestal Mount |
| 0548521 | 12-24V LED Work Light with Flood Beam Pattern & Panel Mount |



PRODUCT SPECIFICATIONS

Raw Lumen Output:

1,080

Effective Lumen Output:

780

Connector/Wiring:

2-Pin Deutsch Weather-Proof Plug (DT06-2S)

Operating Voltage:

10-30V DC

Current Draw:

Non-Heated: 1.3A @ 12V; 0.6A @ 24V DC

Heated: 2.1A @ 12V; 1.1A @ 24V DC

Application & Standards:



⚠ **WARNING:** Cancer and Reproductive Harm - www.P65Warnings.ca.gov
 ⚠ **AVERTISSEMENT:** Cancer et effet nocif sur la reproduction - www.P65Warnings.ca.gov

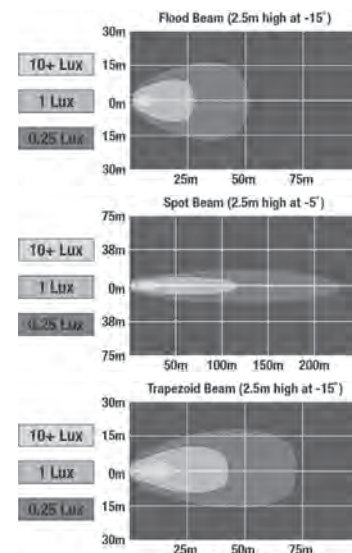
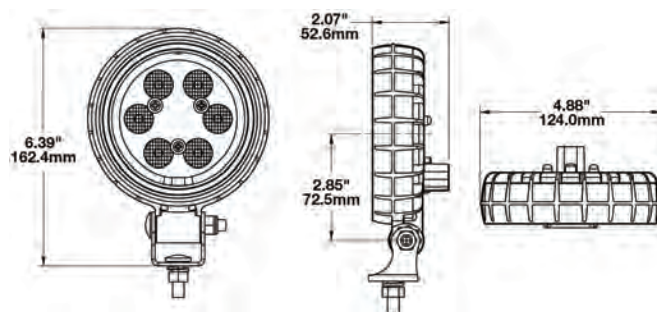
HEATED

| PART # | DESCRIPTION |
|---------|--|
| 1403471 | 12-24V LED Heated Work Light with Flood Beam Pattern |
| 1403481 | 12-24V LED Heated Work Light with Spot Beam Pattern |
| 1403491 | 12-24V LED Heated Amber Work Light with Flood Beam Pattern |
| 1403501 | 12-24V LED Heated Amber Work Light with Spot Beam Pattern |

NON-HEATED

| PART # | DESCRIPTION |
|---------|--|
| 1403241 | 12-24V LED Work Light with Flood Beam Pattern |
| 1403261 | 12-24V LED Work Light with Spot Beam Pattern |
| 1403251 | 12-24V LED Work Light with Trapezoid Beam Pattern |
| 1403291 | 12-110V LED Work Light with Flood Beam Pattern |
| 1403281 | 12-110V LED Work Light with Spot Beam Pattern |
| 1403271 | 12-110V LED Work Light with Trapezoid Beam Pattern |

| PART # | ACCESSORIES |
|---------|--|
| 8200011 | Magnet Mount Kit for XD Series Work Lights |
| 8200101 | Stainless Steel Mounting Kit for Work Lights & Marine Lights |
| 8200121 | Black Mounting Kit for Work Lights & Marine Lights |



MODEL 680 XD



PRODUCT SPECIFICATIONS

Raw Lumen Output:
2,385

Effective Lumen Output:
1,260

Connector/Wiring:
Integrated 2-Pin Deutsch Connector (DT04-2P)

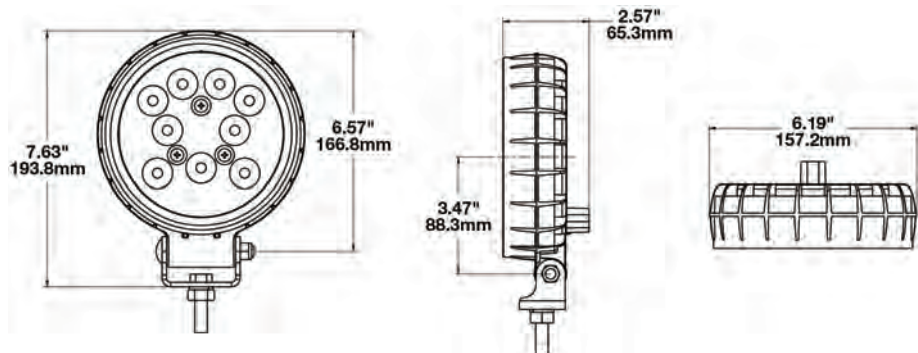
Operating Voltage:
10-32V DC

Current Draw:
2A @ 12V DC
1A @ 24V DC

Application & Standards:

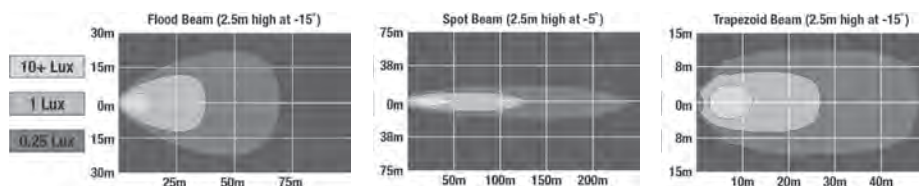


reproductive Harm - www.P65Warnings.ca.gov
 ⚠️ **AVERTISSEMENT:** Cancer et effet nocif sur la reproduction - www.P65Warnings.ca.gov



| PART # | DESCRIPTION |
|---------|---|
| 1501641 | 12-24V LED Work Light with Flood Beam Pattern |
| 1501661 | 12-24V LED Work Light with Spot Beam Pattern |
| 1501651 | 12-24V LED Work Light with Trapezoid Beam Pattern |

| PART # | ACCESSORIES |
|---------|--|
| 8200011 | Magnet Mount Kit for XD Series Work Lights |
| 8200101 | Stainless Steel Mounting Kit for Work Lights & Marine Lights |
| 8200121 | Black Mount Kit for XD Series Work Lights |



MODEL 710

PRODUCT SPECIFICATIONS

Raw Lumen Output:
2,000 (6 LEDs); 1,630 (3 LEDs)

Effective Lumen Output:
1,600 (6 LEDs); 780 (3 LEDs)

Connector/Wiring:
Integrated 3-Pin Packard
Integrated 2-Pin Deutsch

Operating Voltage:
9-110V DC

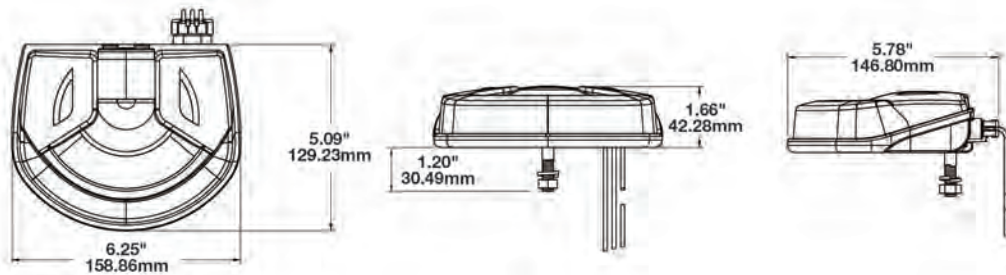
Current Draw:
3 LEDs: 1.54A @ 12V; 0.67A @ 24V; 0.33A @ 60V; 0.20A @ 110V DC
6 LEDs: 1.59A @ 12V; 0.74A @ 24V; 0.34A @ 60V; 0.23A @ 110V DC

Retrofit Information:
Compact work light, ideal for material handling equipment like forklifts

Application & Standards:

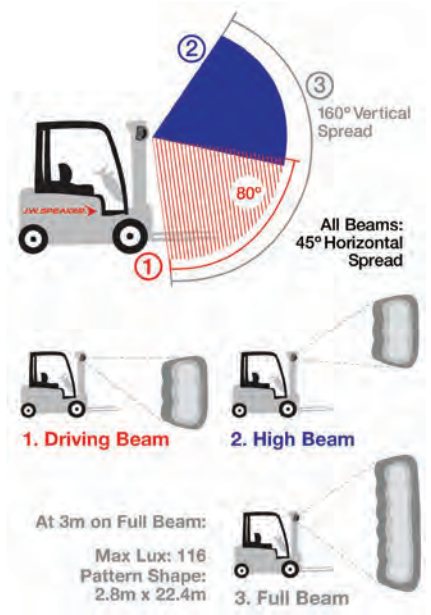


⚠ **WARNING:** Cancer and Reproductive Harm - www.P65Warnings.ca.gov
⚠ **AVERTISSEMENT:** Cancer et effet nocif sur la reproduction - www.P65Warnings.ca.gov



| PART # | DESCRIPTION |
|---------|---------------------------|
| 1000121 | 2-Pin Vertical Flood Beam |
| 1000101 | 3-Pin Vertical Flood Beam |

| PART # | ACCESSORIES |
|---------|------------------------------|
| 8200501 | Click Bond Stud Mounting Kit |



MODEL 735



PRODUCT SPECIFICATIONS

Raw Lumen Output:
3,900

Effective Lumen Output:
2,600

Connector/Wiring:
Integrated 2-Pin Deutsch Connector (DT04-2P)

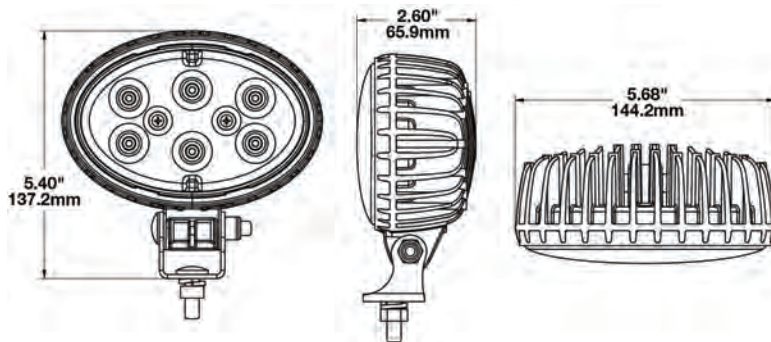
Operating Voltage:
10-36V DC

Current Draw:
3.50A @ 12V DC
1.75A @ 24V DC

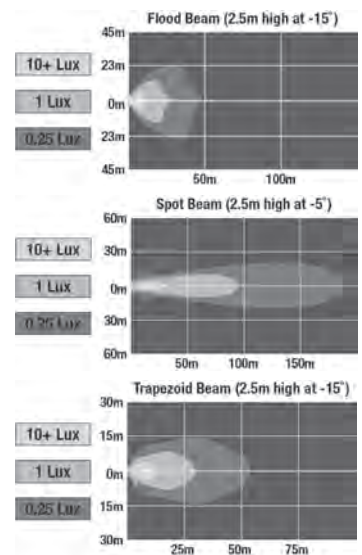
Application & Standards:



⚠ **WARNING:** Cancer and Reproductive Harm - www.P65Warnings.ca.gov
⚠ **AVERTISSEMENT:** Cancer et effet nocif sur la reproduction - www.P65Warnings.ca.gov



| PART # | DESCRIPTION |
|---------|---|
| 1706591 | 12-24V LED Work Light with Flood Beam Pattern |
| 1706571 | 12-24V LED Work Light with Spot Beam Pattern |
| 1706581 | 12-24V LED Work Light with Trapezoid Beam Pattern |
| 1706801 | 12-24V LED Work Light with Amber Lens & Trapezoid Beam Pattern |
| 1706781 | 12-32V LED Work Light with Flood Beam Pattern with Connector PE12015792 |
| 1706811 | 12-32V LED Work Light with Trapezoid Beam Pattern with Connector PE12015792 |
| 1706821 | 12-32V LED Work Light with Spot Beam Pattern with Connector PE12015792 |
| 1707031 | 12-32V LED Work Light with Flood Beam Pattern with Connector PE12015792 |
| 1707041 | 12-32V LED Work Light with Trapezoid Beam Pattern with Connector PE12015792 |
| 1707051 | 12-32V LED Work Light with Spot Beam Pattern with Connector PE12015792 |
| 1706591 | 12-32V LED Work Light with Flood Beam Pattern with Harness |
| 1706581 | 12-32V LED Work Light with Trapezoid Beam Pattern with Harness |
| 1706571 | 12-32V LED Work Light with Spot Beam Pattern with Harness |



MODEL 736

PRODUCT SPECIFICATIONS

Raw Lumen Output:
2,700

Effective Lumen Output:
1,400

Connector/Wiring:
2-Pin Deutsch Weather-Proof Plug (DT06-2S)

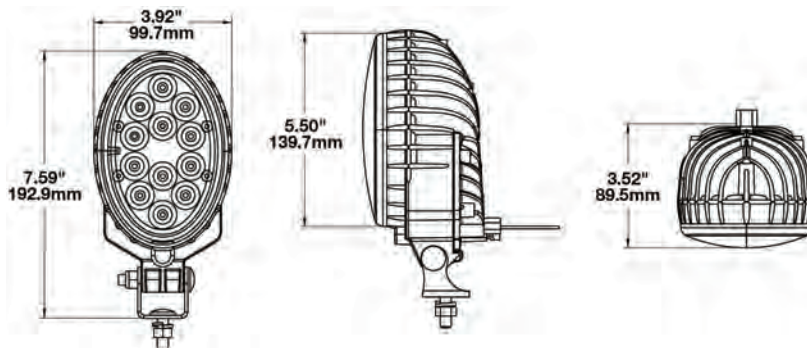
Operating Voltage:
9-16V DC

Current Draw:
3.7A @ 12V DC

Application & Standards:



⚠ WARNING: Cancer and Reproductive Harm - www.P65Warnings.ca.gov
⚠ AVERTISSEMENT: Cancer et effet nocif sur la reproduction - www.P65Warnings.ca.gov

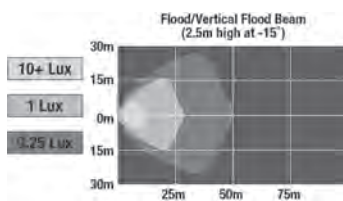


PART # DESCRIPTION

| | |
|---------|---|
| 1704911 | 12V LED Work Light with Vertical Flood Beam Pattern |
|---------|---|

PART # ACCESSORIES

| | |
|---------|--|
| 8200011 | Magnet Mount Kit for XD Series Work Lights |
| 8200101 | Stainless Steel Mounting Kit for Work Lights & Marine Lights |
| 8200121 | Black Mounting Kit for Work Lights & Marine Lights |



MODEL 770 XD



PRODUCT SPECIFICATIONS

Raw Lumen Output:
900

Effective Lumen Output:
700

Connector/Wiring:
2-Pin Deutsch Weather-Proof Plug (DT06-2S)
PE12015792 Connector

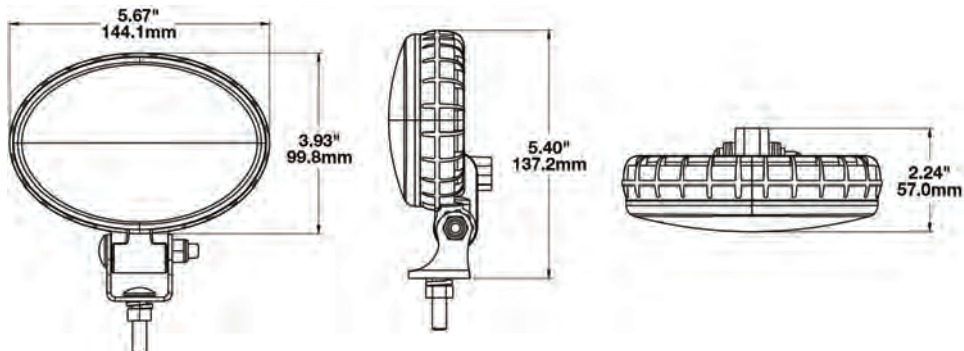
Operating Voltage:
10-15V; 10-55V DC

Current Draw:
1A @ 12V DC
0.48A @ 24V DC
0.32A @ 36V DC
0.25A @ 48V DC

Application & Standards:

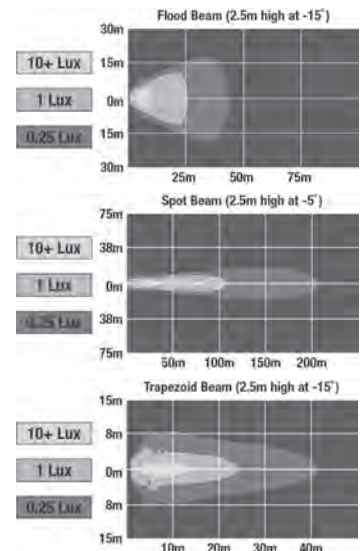


▲ **WARNING:** Cancer and Reproductive Harm - www.P65Warnings.ca.gov
▲ **AVERTISSEMENT:** Cancer et effet nocif sur la reproduction - www.P65Warnings.ca.gov



| PART # | DESCRIPTION |
|---------|---|
| 1706041 | 12V LED Work Light with Flood Beam Pattern & DT04-2P Connector |
| 1706051 | 12V LED Work Light with Trapezoid Beam Pattern & DT04-2P Connector |
| 1706241 | 12-48V LED Work Light with Flood Beam Pattern & DT04-2P Connector |
| 1706261 | 12-48V LED Work Light with Spot Beam Pattern & DT04-2P Connector |
| 1706251 | 12-48V LED Work Light with Trapezoid Beam Pattern & DT04-2P Connector |
| 1706461 | 12-48V LED Work Light with Flood Beam Pattern & PE12015792 Connector |

| PART # | ACCESSORIES |
|---------|--|
| 8200011 | Magnet Mount Kit for XD Series Work Lights |
| 8200101 | Stainless Steel Mounting Kit for Work Lights & Marine Lights |
| 8200121 | Black Mount Kit for XD Series Work Lights |



MODEL 771 XD

PRODUCT SPECIFICATIONS

Raw Lumen Output:
900

Effective Lumen Output:
700

Connector/Wiring:
Integrated 2-Pin Deutsch Connector (DT04-2P)

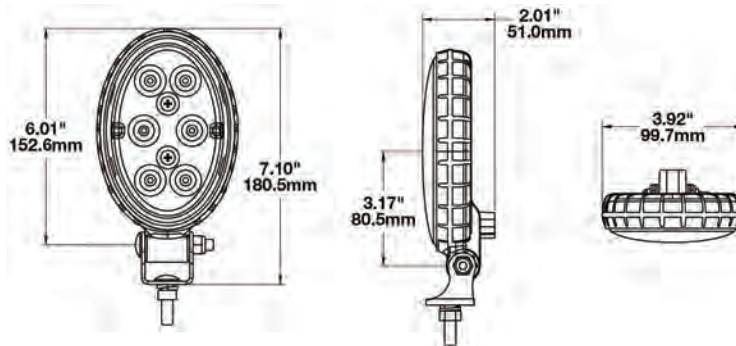
Operating Voltage:
10-55V DC

Current Draw:
1.00A @ 12V DC
0.48A @ 24V DC
0.33A @ 36V DC
0.25A @ 48V DC

Application & Standards:

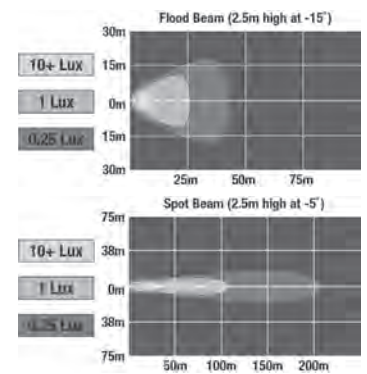


⚠ **WARNING:** Cancer and Reproductive Harm - www.P65Warnings.ca.gov
⚠ **AVERTISSEMENT:** Cancer et effet nocif sur la reproduction - www.P65Warnings.ca.gov



| PART # | DESCRIPTION |
|---------|--|
| 1705911 | 12-48V LED Work Light with Flood Beam Pattern |
| 1706191 | 12-48V LED Work Light with Spot Beam Pattern |
| 1706171 | 12-48V LED Work Light with Vertical Flood Beam Pattern |
| 1706221 | 12-24V LED Amber Work Light |

| PART # | ACCESSORIES |
|---------|--|
| 8200011 | Magnet Mount Kit for XD Series Work Lights |
| 8200101 | Stainless Steel Mounting Kit for Work Lights & Marine Lights |
| 8200121 | Black Mounting Kit for Work Lights & Marine Lights |





MODEL 775 XD WORK & TURN LIGHT

PRODUCT SPECIFICATIONS

Raw Lumen Output:
600

Effective Lumen Output:
400

Connector/Wiring:
2-Pin Deutsch Weather-Proof Plug (DT06-2S)

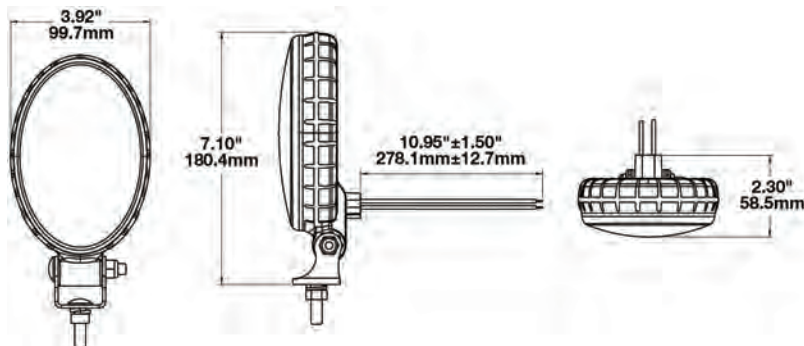
Operating Voltage:
9-60V DC

Current Draw:
1.2A @ 12V DC
0.6A @ 24V DC
0.4A @ 36V DC
0.3A @ 48V DC

Application & Standards:



⚠ **WARNING:** Cancer and Reproductive Harm - www.P65Warnings.ca.gov
⚠ **AVERTISSEMENT:** Cancer et effet nocif sur la reproduction - www.P65Warnings.ca.gov

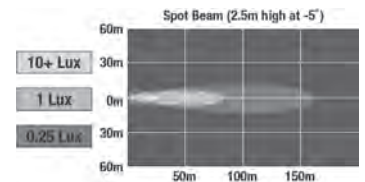


PART # DESCRIPTION

| | |
|---------|---|
| 1707191 | 12-48V Amber Clear LED Work Light with Flood Beam & Turn Signal |
| 1707201 | 12-48V Amber Clear LED Work Light with Spot Beam & Turn Signal |

PART # ACCESSORIES

| | |
|---------|--|
| 8200011 | Magnet Mount Kit for XD Series Work Lights |
| 8200101 | Stainless Steel Mounting Kit for Work Lights & Marine Lights |
| 8200121 | Black Mounting Kit for Work Lights & Marine Lights |
| 8200671 | 4-Pin Deutsch Connector Kit |



MODEL 778 XD BACKUP CAMERA LIGHT



PRODUCT SPECIFICATIONS

Raw Lumen Output:
576

Effective Lumen Output:
275

Connector/Wiring:
Integrated 2-Pin Deutsch Socket (DT04-2S)

Operating Voltage:
10-55V DC

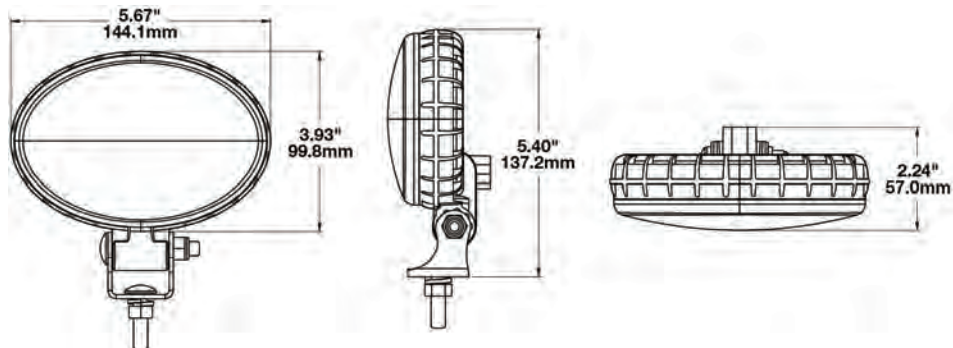
Current Draw:
1.00A @ 12V DC
0.48A @ 24V DC
0.33A @ 36V DC
0.25A @ 48V DC

Application & Standards:



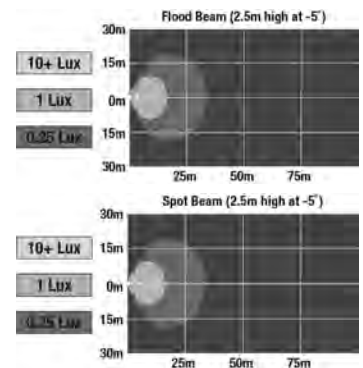
⚠ **WARNING:** Cancer and Reproductive Harm - www.P65Warnings.ca.gov

⚠ **AVERTISSEMENT:** Cancer et effet nocif sur la reproduction - www.P65Warnings.ca.gov



PART # DESCRIPTION

| PART # | DESCRIPTION |
|---------|--|
| 1706721 | 12-48V SAE/ECE LED Backup Camera Light |



MODEL 783 XD

PRODUCT SPECIFICATIONS

Raw Lumen Output:
675

Effective Lumen Output:
485

Candela Output:
1,409

Connector/Wiring:
Integral DT04-2P

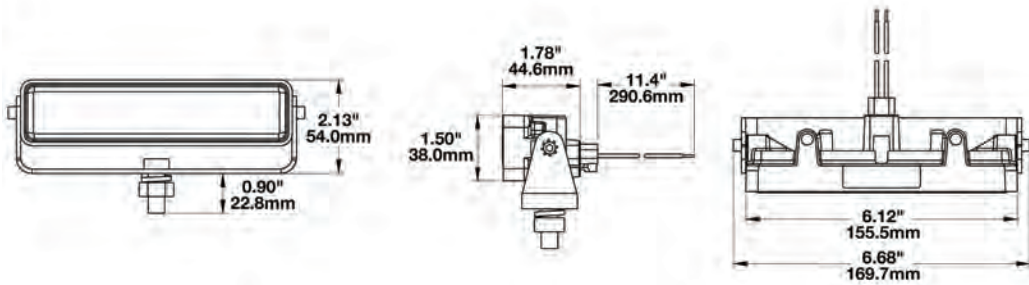
Operating Voltage:
9-60V DC

Current Draw:
1.00A @ 12V DC
0.50A @ 24V DC
0.30A @ 36V DC
0.25A @ 48V DC

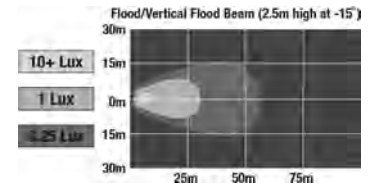
Application & Standards:



⚠ WARNING: Cancer and Reproductive Harm - www.P65Warnings.ca.gov
⚠ AVERTISSEMENT: Cancer et effet nocif sur la reproduction - www.P65Warnings.ca.gov



| PART # | DESCRIPTION |
|---------|---|
| 1603391 | 12-48V LED Work Light with Flood Beam Pattern & Mounting Bracket |
| 1603451 | 12-48V LED Work Light with Vertical Flood Beam Pattern & Mounting Bracket |



MODEL 785



PRODUCT SPECIFICATIONS

Raw Lumen Output:
1,242

Effective Lumen Output:
460

Candela Output:
1,380

Connector/Wiring:
PE 12124819, or PE 12020599

Operating Voltage:
9-16V DC

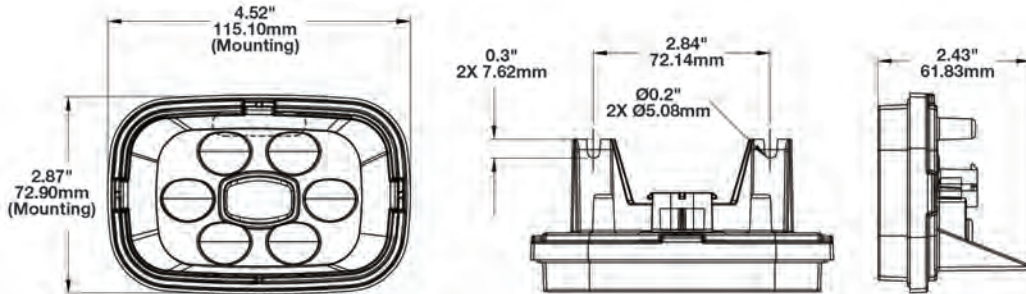
Current Draw:
1.2A @ 12V DC

Application & Standards:

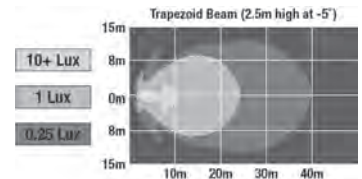


⚠ **WARNING:** Cancer and Reproductive Harm - www.P65Warnings.ca.gov

⚠ **AVERTISSEMENT:** Cancer et effet nocif sur la reproduction - www.P65Warnings.ca.gov



| PART # | DESCRIPTION |
|---------|--|
| 0554211 | 12V LED Work Light with Trapezoid Beam Pattern |
| 0554213 | 12V LED Work Light with Trapezoid Beam Pattern - 2 Light Kit |



MODEL 791

PRODUCT SPECIFICATIONS

Raw Lumen Output:

Driving & Flood: 1,820; Fog: 800

Effective Lumen Output:

Driving & Flood: 1,150; Fog: 250

Candela Output:

Fog: 6,700

Connector/Wiring:

Deutsch DT04-2P

Operating Voltage:

Driving & Flood: 9-32V DC; Fog: 10-18V DC

Current Draw:

Driving & Flood: 1.27A @ 12V; 0.78A @ 24V DC

Fog: 0.55A @ 10V; 0.88A @ 12V; 1.10A @ 18V DC

Application & Standards:



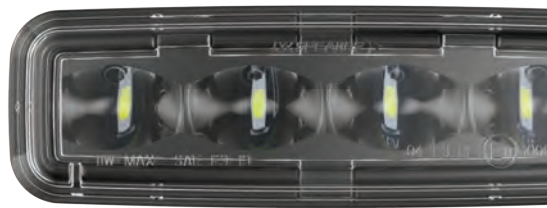
FLOOD BEAM



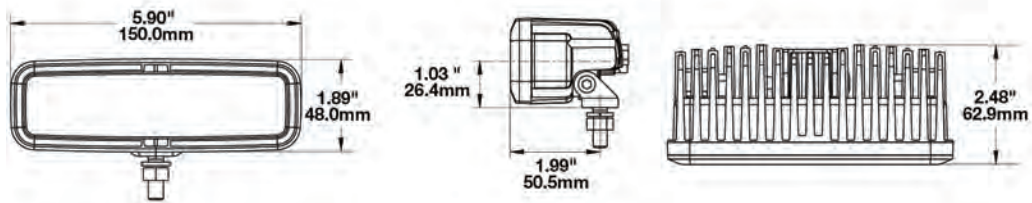
DRIVING BEAM



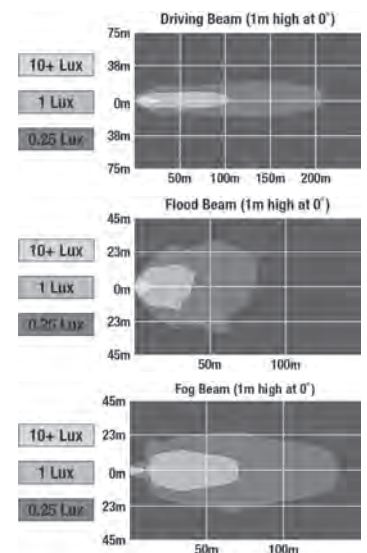
FOG BEAM



⚠ **WARNING:** Cancer and Reproductive Harm - www.P65Warnings.ca.gov
 ⚠ **AVERTISSEMENT:** Cancer et effet nocif sur la reproduction - www.P65Warnings.ca.gov



| PART # | DESCRIPTION |
|---------|--|
| 1603511 | 12-24V LED Driving Light |
| 1603521 | 12-24V LED Driving Light with Flood Beam Pattern |
| 1603601 | 12V DOT/ECE LED Fog Light |
| 1603603 | 12V DOT/ECE LED Fog Light - 2 Light Kit |



MODEL 832



PRODUCT SPECIFICATIONS

Raw Lumen Output:
3,900

Effective Lumen Output:
2,400

Connector/Wiring:
Integrated 2-Pin Deutsch Socket (DT04-2S)

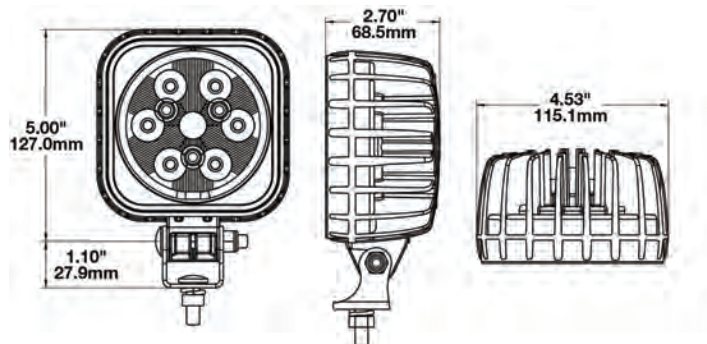
Operating Voltage:
10-32V DC

Current Draw:
3.5A @ 12V DC
1.75A @ 24V DC

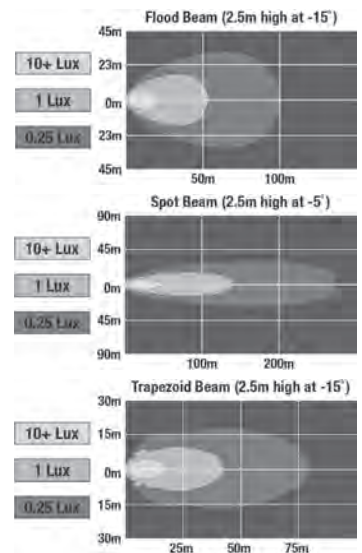
Application & Standards:



▲ **WARNING:** Cancer and Reproductive Harm - www.P65Warnings.ca.gov
▲ **AVERTISSEMENT:** Cancer et effet nocif sur la reproduction - www.P65Warnings.ca.gov



| PART # | DESCRIPTION |
|---------|--|
| 1300181 | 12-24V LED Auxiliary Light with Flood Beam Pattern |
| 1300161 | 12-24V LED Auxiliary Light with Spot Beam Pattern |
| 1300171 | 12-24V LED Auxiliary Light with Trapezoid Beam Pattern |



MODEL 840 XD

PRODUCT SPECIFICATIONS

Raw Lumen Output:
1,080

Effective Lumen Output:
780

Connector/Wiring:
Integrated 2-Pin Deutsch Socket (DT04-2S)

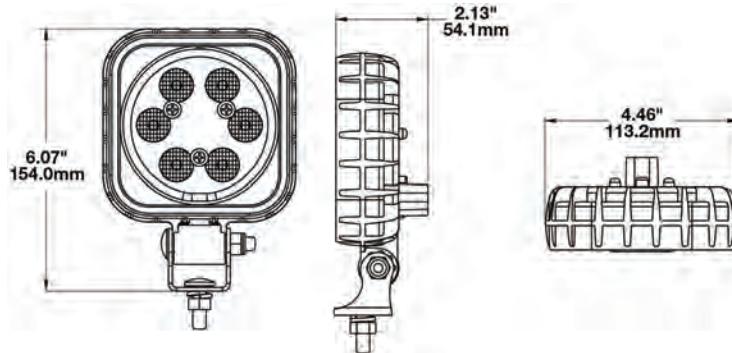
Operating Voltage:
10-30V DC
10-130V DC

Current Draw:
1.00A @ 12V DC
0.50A @ 24V DC
0.33A @ 36V DC
0.25A @ 48V DC
0.16A @ 80V DC
0.13A @ 110V DC

Application & Standards:



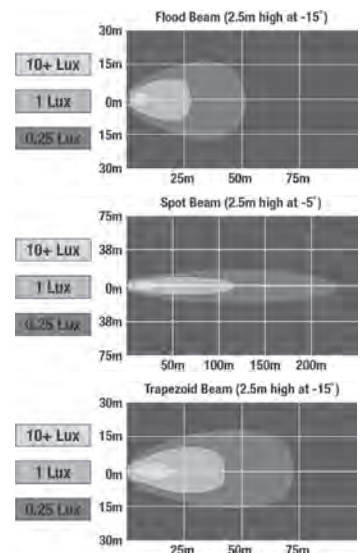
⚠ WARNING: Cancer and Reproductive Harm - www.P65Warnings.ca.gov
⚠ AVERTISSEMENT: Cancer et effet nocif sur la reproduction - www.P65Warnings.ca.gov



| PART # | DESCRIPTION |
|---------|---|
| 1300001 | 12-24V LED Work Light with Spot Beam Pattern |
| 1300011 | 12-24V LED Work Light with Trapezoid Beam Pattern |
| 1300021 | 12-24V LED Work Light with Flood Beam Pattern |
| 1300031 | 12-110V LED Work Light with Flood Beam Pattern |
| 1300041 | 12-110V LED Work Light with Spot Beam Pattern |
| 1300091 | 12-110V LED Work Light with Trapezoid Beam Pattern & Integrated AMP Connector |
| 1300101 | 12-110V LED Work Light with Trapezoid Beam Pattern & Integrated 2-Pin Deutsch Connector |

FOR FORKLIFTS

| PART # | DESCRIPTION |
|---------|--|
| 1300301 | 12-48V LED Work Light with Right Hand Vertical Flood Beam Pattern |
| 1300311 | 12-48V LED Work Light with Left Hand Vertical Flood Beam Pattern |
| 1300531 | 12-48V LED Work Light with Left Hand Vertical Flood Beam Pattern (Lower Output) |
| 1300541 | 12-48V LED Work Light with Right Hand Vertical Flood Beam Pattern (Lower Output) |



MODEL 880 & 881 XD



PRODUCT SPECIFICATIONS

Raw Lumen Output:
1,680

Effective Lumen Output:
900

Connector/Wiring:
Integrated 2-Pin Deutsch Socket (DT04-2P)

Operating Voltage:
9-32V DC

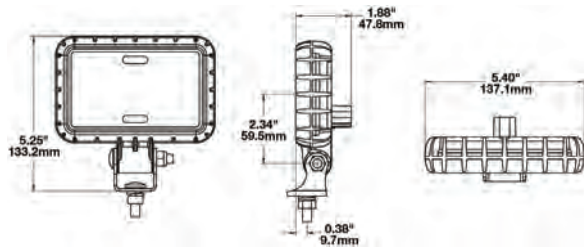
Current Draw:
880 XD: 1.30A @ 12V; 0.70A @ 24V DC
881 XD: 1.00A @ 12V; 0.48A @ 24V DC

Application & Standards:

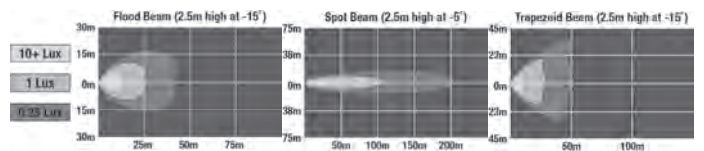


⚠ **WARNING:** Cancer and Reproductive Harm - www.P65Warnings.ca.gov
⚠ **AVERTISSEMENT:** Cancer et effet nocif sur la reproduction - www.P65Warnings.ca.gov

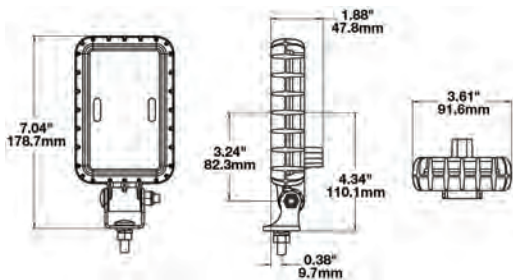
MODEL 880 XD



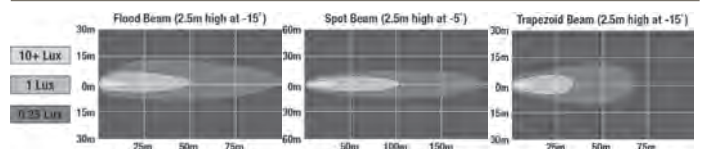
| PART # | DESCRIPTION |
|---------|---|
| 1603261 | 12-24V LED Work Light with Flood Beam Pattern |
| 1603241 | 12-24V LED Work Light with Spot Beam Pattern |
| 1603251 | 12-24V LED Work Light with Trapezoid Beam Pattern |
| 1603331 | 12-24V LED Work Light with Flood Beam Pattern & On/Off Switch |
| 1603311 | 12-24V LED Work Light with Spot Beam Pattern & On/Off Switch |
| 1603321 | 12-24V LED Work Light with Trapezoid Beam Pattern & On/Off Switch |



MODEL 881 XD



| PART # | DESCRIPTION |
|---------|---|
| 1603291 | 12-24V LED Work Light with Flood Beam Pattern |
| 1603271 | 12-24V LED Work Light with Spot Beam Pattern |
| 1603281 | 12-24V LED Work Light with Trapezoid Beam Pattern |



| 880 & 881 XD | PART # | ACCESSORIES |
|--------------|---------|--|
| | 8200011 | Magnet Mount Kit for XD Series Work Lights |
| | 8200101 | Stainless Steel Mounting Kit for Work Lights & Marine Lights |

MODEL 4415

PRODUCT SPECIFICATIONS

Raw Lumen Output:
2,450

Effective Lumen Output:
1,350

Connector/Wiring:
Packard# 12084167

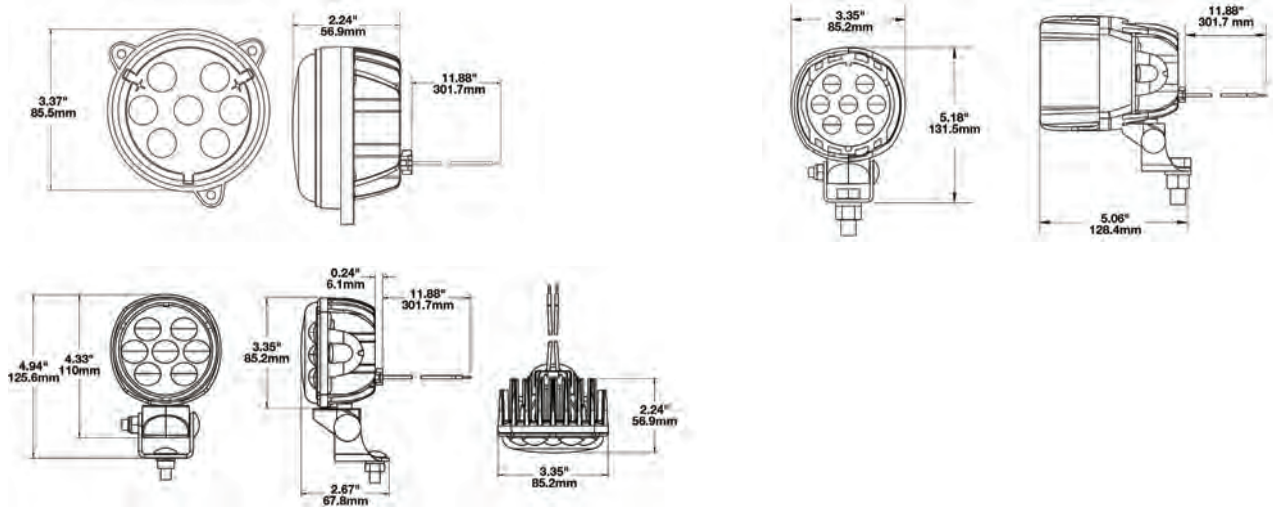
Operating Voltage:
10-32 V DC

Current Draw:
2.00A @ 12V DC
1.05A @ 24V DC
0.51A @ 48V DC
0.40A @ 60V DC
0.25A @ 110V DC

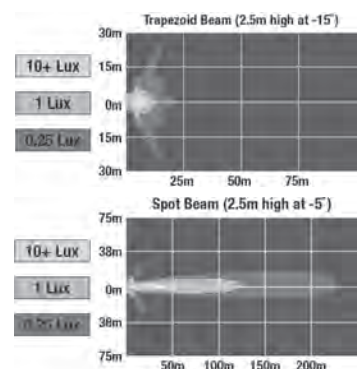
Application & Standards:



⚠ WARNING: Cancer and Reproductive Harm - www.P65Warnings.ca.gov
⚠ AVERTISSEMENT: Cancer et effet nocif sur la reproduction - www.P65Warnings.ca.gov



| PART # | DESCRIPTION |
|---------|--|
| 0549841 | 12-24V LED Work Light with Trapezoid Pattern |
| 0554201 | 12-110V LED Work Light with Trapezoid Pattern |
| 0551001 | 12-24V LED Work Light with Spot Pattern |
| 0551753 | 12-24V LED Work Light with Spot Pattern & Side View Mirror Mount - 2 Light Kit |
| 0555341 | 12-24V LED Work Light with Spot Pattern & Panel Mount |
| 0555411 | 12-24V LED Work Light with Flood Pattern & Harness |
| 0555461 | 12-24V LED Work Light with Flood Pattern & Panel Mount |



MODEL 4416



PRODUCT SPECIFICATIONS

Raw Lumen Output:
2,450

Effective Lumen Output:
1,350

Connector/Wiring:
Deutsch DT04-2P-E008

Operating Voltage:
9-16V DC

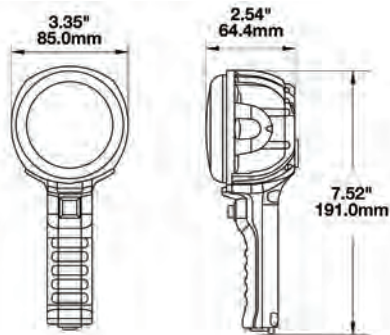
Current Draw:
2.20A @ 12V DC

Application & Standards:



⚠ **WARNING:** Cancer and Reproductive Harm - www.P65Warnings.ca.gov

⚠ **AVERTISSEMENT:** Cancer et effet nocif sur la reproduction - www.P65Warnings.ca.gov

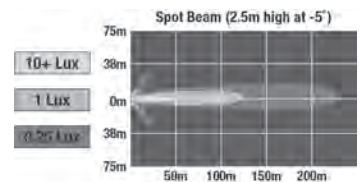


PART # DESCRIPTION

| | |
|---------|---|
| 0552841 | 12V Black Handheld Work Light with Spot Beam Pattern Kit |
| 0554251 | 12V Camouflage Handheld Work Light with Spot Beam Pattern Kit |

PART # ACCESSORIES

| | |
|---------|--|
| 3269831 | 30' Power Cord with Battery Clips for Model 4416 |
| 3270801 | Trailer Hitch Wire Harness for Model 4416 |
| 7042881 | Handheld Light Magnet Mount for Model 4416 |



PRODUCT SPECIFICATIONS

Raw Lumen Output:
2,450

Effective Lumen Output:
1,300

Connector/Wiring:
Bare Leads

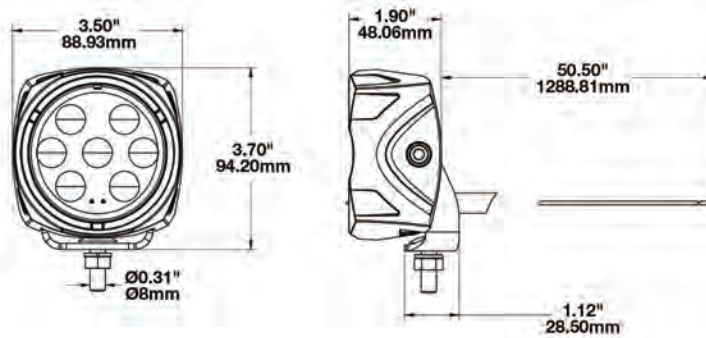
Operating Voltage:
9-16V DC

Current Draw:
2.17A @ 9V DC
0.97A @ 16V DC

Application & Standards:



⚠ WARNING: Cancer and Reproductive Harm - www.P65Warnings.ca.gov
⚠ AVERTISSEMENT: Cancer et effet nocif sur la reproduction - www.P65Warnings.ca.gov

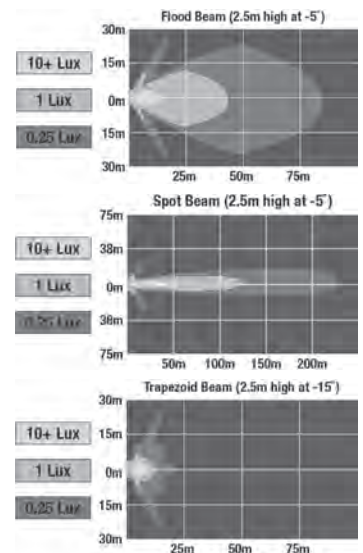


PART # DESCRIPTION

| | |
|---------|---|
| 0554861 | 12V LED Work Light with Spot Beam Pattern - Single |
| 0554863 | 12V LED Work Light with Spot Beam Pattern - Kit of 2 |
| 0554871 | 12V LED Work Light with Trapezoid Beam Pattern - Single |
| 0554873 | 12V LED Work Light with Trapezoid Beam Pattern - Kit of 2 |
| 0555001 | 12V LED Work Light with Flood Beam Pattern - Single |
| 0555003 | 12V LED Work Light with Flood Beam Pattern - Kit of 2 |

PART # ACCESSORIES

| | |
|---------|-----------------------------------|
| 6149203 | A-Pillar Mounting Kit for Jeep JK |
| 6149233 | A-Pillar Mounting Kit for Jeep TJ |



MODEL 6020



PRODUCT SPECIFICATIONS

Raw Lumen Output:
3,150

Effective Lumen Output:
2,130

Connector/Wiring:
Packard (#12059183)

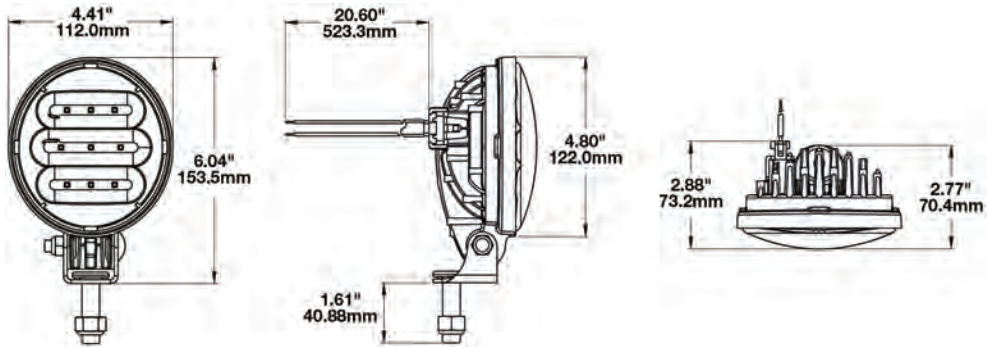
Operating Voltage:
9-32V DC

Current Draw:
2.33A @ 12V DC
1.07A @ 24V DC

Application & Standards:

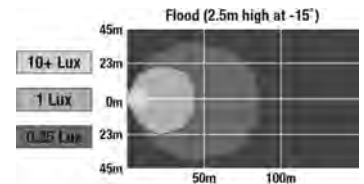


⚠ **WARNING:** Cancer and Reproductive Harm - www.P65Warnings.ca.gov
⚠ **AVERTISSEMENT:** Cancer et effet nocif sur la reproduction - www.P65Warnings.ca.gov



PART # DESCRIPTION

1000011 12-24V LED Work Light with Flood Beam Pattern



MODEL 6040

PRODUCT SPECIFICATIONS

Raw Lumen Output:

Flood: 1,390; Spot & Trapezoid: 1,050

Effective Lumen Output:

Flood: 1,020; Spot & Trapezoid: 770

Connector/Wiring:

Blade Terminals (Ring Terminal Adaptors Provided)

Operating Voltage:

10-15V DC

Current Draw:

12V:

2.00 MaxA @ 12V DC

12-48V:

1.04A @ 12V DC

0.5A @ 24V DC

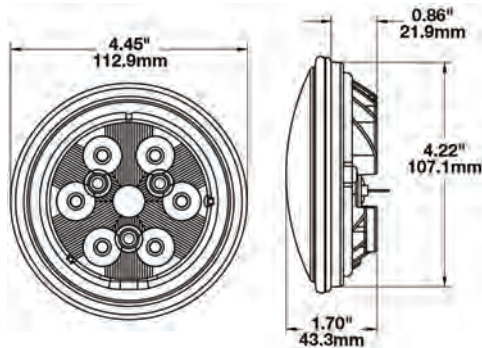
0.33A @ 36V DC

0.26A @ 48V DC

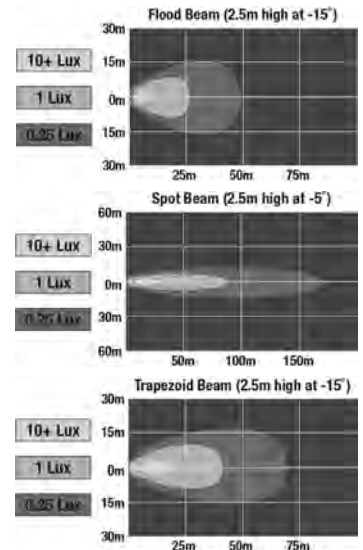
Application & Standards:



⚠ **WARNING:** Cancer and Reproductive Harm - www.P65Warnings.ca.gov
 ⚠ **AVERTISSEMENT:** Cancer et effet nocif sur la reproduction - www.P65Warnings.ca.gov



| PART # | DESCRIPTION |
|---------|--|
| 3157291 | 12V LED Work Light with Glass Lens & Flood Beam Pattern |
| 3157301 | 12V LED Work Light with Glass Lens & Trapezoid Beam Pattern |
| 8000111 | 12V LED Work Light with Polycarbonate Lens & Flood Beam Pattern |
| 8000281 | 12V LED Work Light with Polycarbonate Lens & Spot Beam Pattern |
| 8000121 | 12V LED Work Light with Polycarbonate Lens & Trapezoid Beam Pattern |
| 3157601 | 12-48V LED Work Light with Glass Lens & Flood Beam Pattern |
| 3157581 | 12-48V LED Work Light with Glass Lens & Spot Beam Pattern |
| 3157591 | 12-48V LED Work Light with Glass Lens & Trapezoid Beam Pattern |
| 3157471 | 12-48V LED Work Light with Polycarbonate Lens & Flood Beam Pattern |
| 3157491 | 12-48V LED Work Light with Polycarbonate Lens & Spot Beam Pattern |
| 3157481 | 12-48V LED Work Light with Polycarbonate Lens & Trapezoid Beam Pattern |



MODEL 6043 WORK & TAIL LIGHT



PRODUCT SPECIFICATIONS

Raw Lumen Output:
1,140 (Work Light)

Effective Lumen Output:
700 (Work Light)

Connector/Wiring:
6" Bare Leads

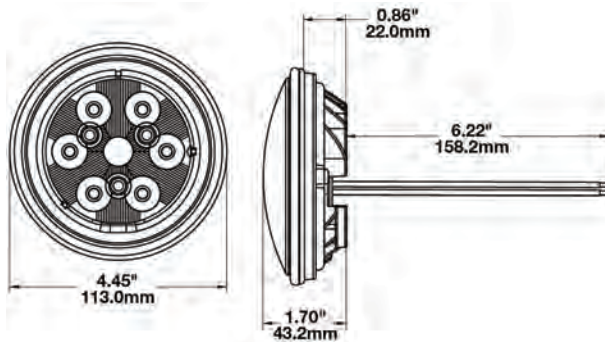
Operating Voltage:
12-24V DC

Current Draw:
0.60A @ 12V DC (Worklight)
0.11A @ 12V DC (Tail Light)

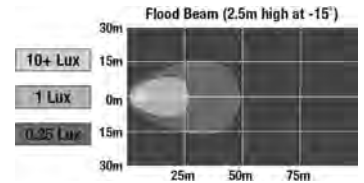
Application & Standards:



⚠ **WARNING:** Cancer and Reproductive Harm - www.P65Warnings.ca.gov
⚠ **AVERTISSEMENT:** Cancer et effet nocif sur la reproduction - www.P65Warnings.ca.gov



| PART # | DESCRIPTION |
|---------|------------------------------------|
| 0344731 | 12-24V LED Work Light & Tail Light |



MODEL 7150

PRODUCT SPECIFICATIONS

Raw Lumen Output:
5,400

Effective Lumen Output:
4,500

Connector/Wiring:
Deutsch DT04-2P

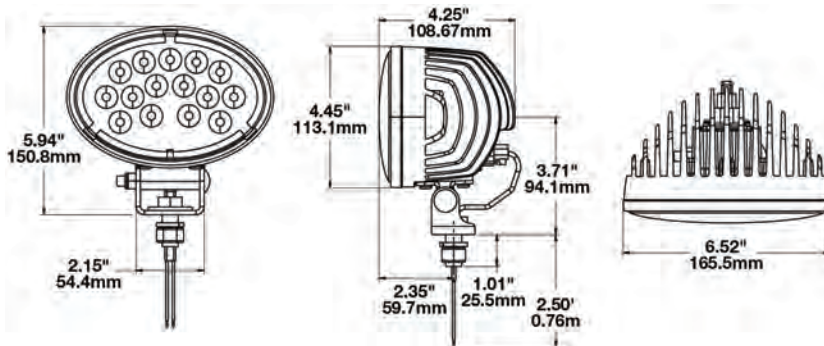
Operating Voltage:
10-32V DC

Current Draw:
5.50A @ 12V DC
3.20A @ 24V DC

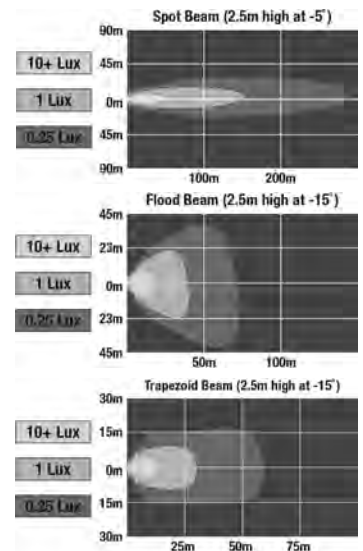
Application & Standards:



⚠ **WARNING:** Cancer and Reproductive Harm - www.P65Warnings.ca.gov
⚠ **AVERTISSEMENT:** Cancer et effet nocif sur la reproduction - www.P65Warnings.ca.gov



| PART # | DESCRIPTION |
|---------|--|
| 1801581 | 12-24V LED Work Light with Polycarbonate Lens & Flood Beam Pattern |
| 1801621 | 12-24V LED Work Light with Polycarbonate Lens & Spot Beam Pattern |
| 1801571 | 12-24V LED Work Light with Polycarbonate Lens & Trapezoid Beam Pattern |
| 1801791 | 12-24V LED Work Light with Glass Lens & Flood Beam Pattern |
| 1801781 | 12-24V LED Work Light with Glass Lens & Trapezoid Beam Pattern |



MODEL 7250 & 7251 XD



PRODUCT SPECIFICATIONS

Raw Lumen Output:
3,150

Effective Lumen Output:
1,400

Connector/Wiring:
Deutsch DT04-2P

Operating Voltage:
10-32V DC

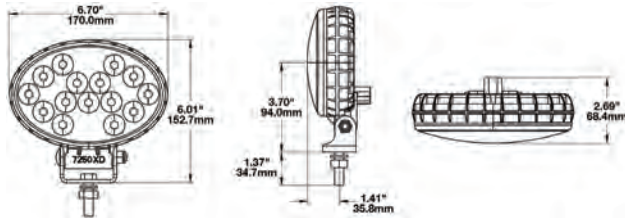
Current Draw:
1.60A @ 12V DC
0.90A @ 24V DC

Application & Standards:

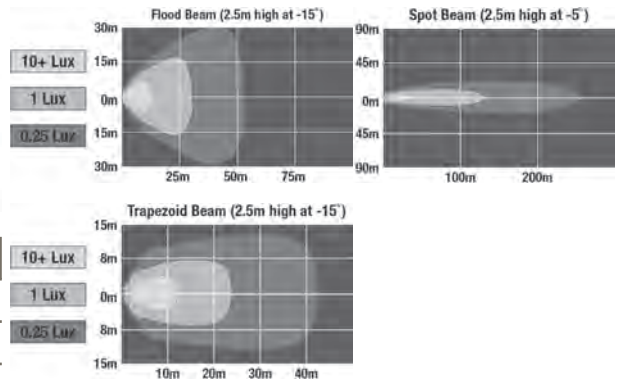


⚠ **WARNING:** Cancer and Reproductive Harm - www.P65Warnings.ca.gov
⚠ **AVERTISSEMENT:** Cancer et effet nocif sur la reproduction - www.P65Warnings.ca.gov

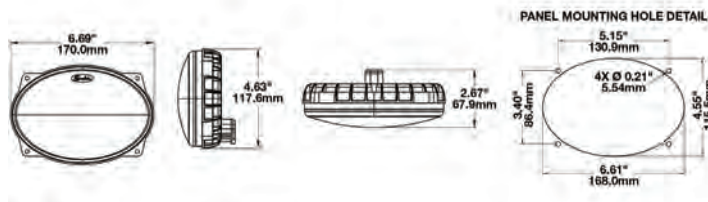
MODEL 7250 XD



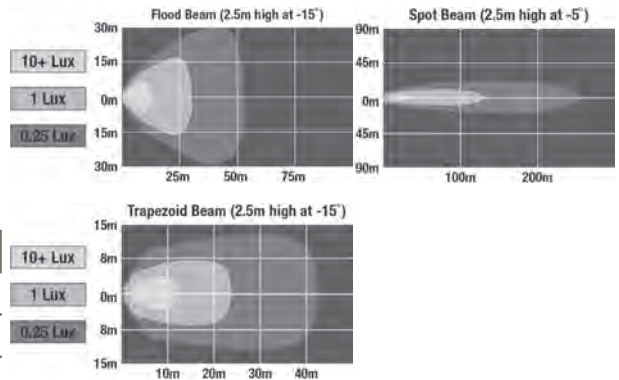
| PART # | DESCRIPTION |
|---------|--|
| 1801521 | 12-24V LED Work Light with Flood Beam Pattern & Pedestal Mount |
| 1801501 | 12-24V LED Work Light with Spot Beam Pattern & Panel Mount |
| 1801511 | 12-24V LED Work Light with Trapezoid Beam Pattern & Pedestal Mount |



MODEL 7251 XD



| PART # | DESCRIPTION |
|---------|---|
| 1801551 | 12-24V LED Work Light with Flood Beam Pattern & Panel Mount |
| 1801531 | 12-24V LED Work Light with Spot Beam Pattern & Panel Mount |
| 1801541 | 12-24V LED Work Light with Trapezoid Beam Pattern & Panel Mount |



MODEL 8625

PRODUCT SPECIFICATIONS

Raw Lumen Output:
2,385

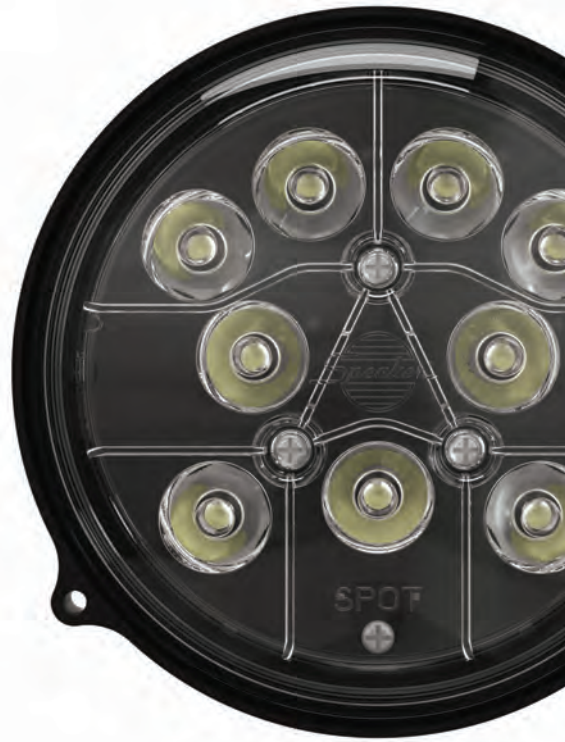
Effective Lumen Output:
1,340

Connector/Wiring:
Deutsch DT04-2P

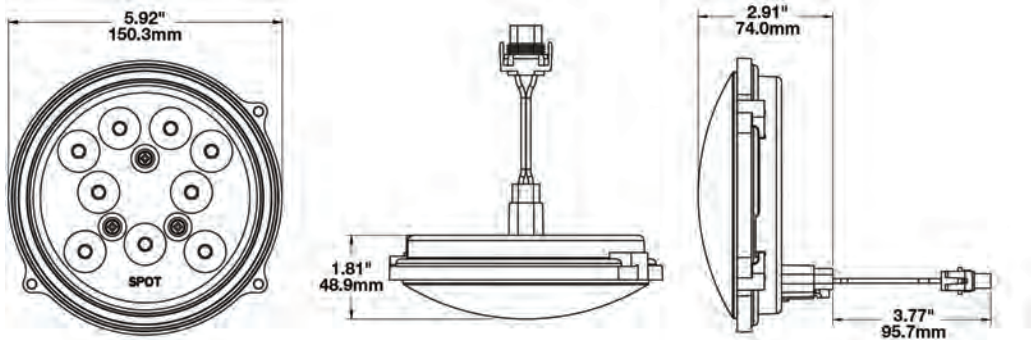
Operating Voltage:
10-33V DC

Current Draw:
2.00A @ 12V DC
1.00A @ 24V DC

Application & Standards:

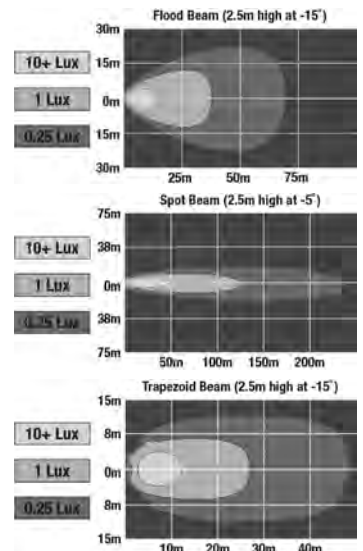


⚠ **WARNING:** Cancer and Reproductive Harm - www.P65Warnings.ca.gov
⚠ **AVERTISSEMENT:** Cancer et effet nocif sur la reproduction - www.P65Warnings.ca.gov



PART # DESCRIPTION

| | |
|---------|---|
| 1501671 | 12-24V LED Work Light with Spot Beam Pattern |
| 1501691 | 12-24V LED Work Light with Flood Beam Pattern |
| 1501701 | 12-24V LED Work Light with Trapezoid Beam Pattern |



MODEL 9049-2M & 3M

PRODUCT SPECIFICATIONS



Raw Lumen Output:

2M: 2,200
3M: 2,400

Effective Lumen Output:

2M: 1,320
3M: 1,500

Connector/Wiring:

2M: 10" Bare Leads
3M: 36" Bare Leads

Operating Voltage:

9-18V DC

Current Draw:

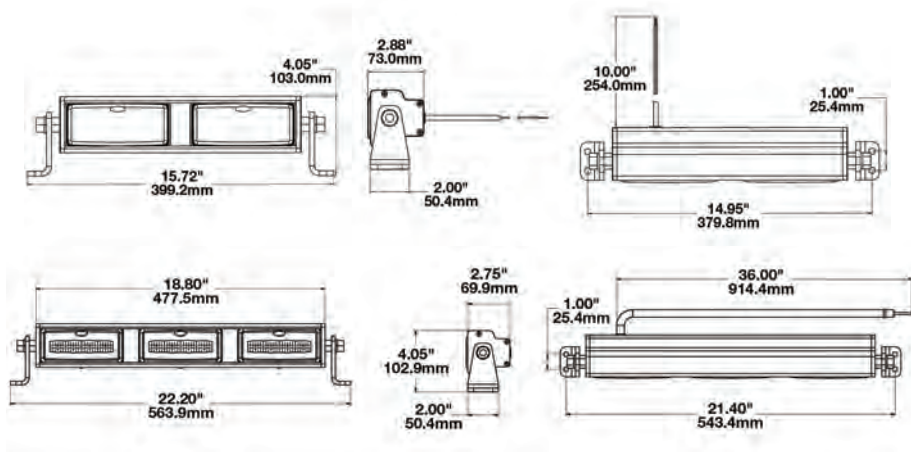
2M: 4.00A @ 12V DC
3M: 3.60A @ 12V DC

Application & Standards:



⚠ **WARNING:** Cancer and Reproductive Harm - www.P65Warnings.ca.gov

⚠ **AVERTISSEMENT:** Cancer et effet nocif sur la reproduction - www.P65Warnings.ca.gov

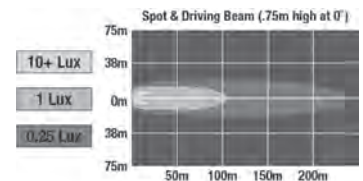


MODEL 9049-2M

| PART # | DESCRIPTION |
|---------|---|
| 0546261 | 12V LED 15" Light Bar with Flood Beam Pattern |
| 0546281 | 24V LED 15" Light Bar with Flood Beam Pattern |
| 0548461 | 12V LED 15" Light Bar with Driving Beam Pattern |

MODEL 9049-3M

| PART # | DESCRIPTION |
|---------|--|
| 0549281 | 12V SAE/ECE LED 19" Light Bar with Fog Beam Pattern |
| 0552441 | 12V LED 19" Light Bar with Spot Beam Pattern & Driving Light |



TS3001V & TS3001R

PRODUCT SPECIFICATIONS

Raw Lumen Output:
1,960

Effective Lumen Output:
1,080

Connector/Wiring:
Deutsch DT04-2P

Operating Voltage:
9-32V DC

Current Draw:

TS3001R Driving Beam

Standard: 1.15A @ 12V; 0.60A @ 24V DC

Jeep: 2.15A @ 12V; 1.00A @ 24V DC

Pencil Beam

Standard: 1.40A @ 9V; 0.90A @ 16V DC

Jeep: 2.70A @ 9V; 1.60A @ 16V DC

TS3001V Driving Beam

1.90A @ 12V DC

1.05A @ 24V DC

Pencil Beam

Standard: 1.40A @ 9V; 0.90A @ 16V DC

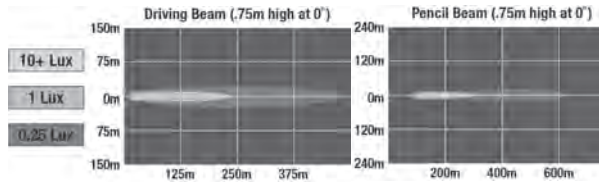
Jeep: 2.70A @ 9V; 1.60A @ 16V DC

Application & Standards:

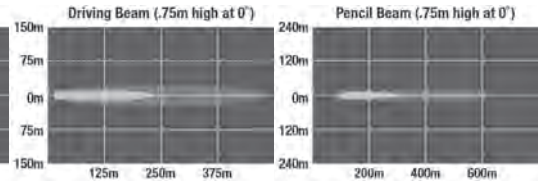


WARNING: Cancer and Reproductive Harm - www.P65Warnings.ca.gov
AVERTISSEMENT: Cancer et effet nocif sur la reproduction - www.P65Warnings.ca.gov

TS3001R



TS3001V



TS3001V

| PART # | DESCRIPTION |
|---------|---|
| 0550671 | 12-24V DOT LED Auxiliary Light with Driving Beam - 1 Light |
| 0550691 | 12-24V ECE LED Auxiliary Light with Driving Beam - 1 Light |
| 0550711 | 12-24V LED Auxiliary Light with Pencil Beam Auxiliary Light - 1 Light |
| 0550673 | 12-24V DOT LED Auxiliary Light with Driving Beam - 2 Light Kit |
| 0550693 | 12-24V ECE LED Auxiliary Light with Driving Beam - 2 Light Kit |
| 0550713 | 12-24V LED Auxiliary Light with Pencil Beam - 2 Light Kit |

Light weight, thermally conductive, and ultra durable xenon housing.

TS3001R

| PART # | DESCRIPTION |
|---------|--|
| 0550441 | 12-24V DOT LED Auxiliary Light with Driving Beam - 1 Light |
| 0550461 | 12-24V ECE LED Auxiliary Light with Driving Beam - 1 Light |
| 0550481 | 12-24V LED Auxiliary Light with Pencil Beam - 1 Light |
| 0550443 | 12-24V DOT LED Auxiliary Light with Driving Beam - 2 Light Kit |
| 0550463 | 12-24V ECE LED Auxiliary Light with Driving Beam - 2 Light Kit |
| 0550483 | 12-24V LED Auxiliary Light with Pencil Beam - 2 Light Kit |

Light weight, thermally conductive, and ultra durable xenon housing.

| PART # | ACCESSORIES |
|---------|--|
| 6149203 | A-Pillar Mounting Kit for Jeep JK |
| 6149233 | A-Pillar Mounting Kit for Jeep TJ |
| 5865951 | Black Replacement Lens Cover for Model TS3001V |
| 5874231 | Clear Replacement Lens Cover for Model TS3001V |
| 5874241 | Red Replacement Lens Cover for Model TS3001V |
| 5874251 | Amber Replacement Lens Cover for Model TS3001V |
| 5874261 | Blue Replacement Lens Cover for Model TS3001V |

| PART # | ACCESSORIES |
|---------|--|
| 6149203 | A-Pillar Mounting Kit for Jeep JK |
| 6149233 | A-Pillar Mounting Kit for Jeep TJ |
| 5866001 | Black Replacement Lens Cover for Model TS3001R |
| 5874271 | Clear Replacement Lens Cover for Model TS3001R |
| 5874281 | Amber Replacement Lens Cover for Model TS3001R |
| 5874291 | Red Replacement Lens Cover for Model TS3001R |
| 5874301 | Blue Replacement Lens Cover for Model TS3001R |

TS4000



PRODUCT SPECIFICATIONS

Raw Lumen Output:
4,169 (High Beam)

Effective Lumen Output:
1,820 (High Beam)

Candela Output:
133,000

Connector/Wiring:
Deutsch DT04-2P

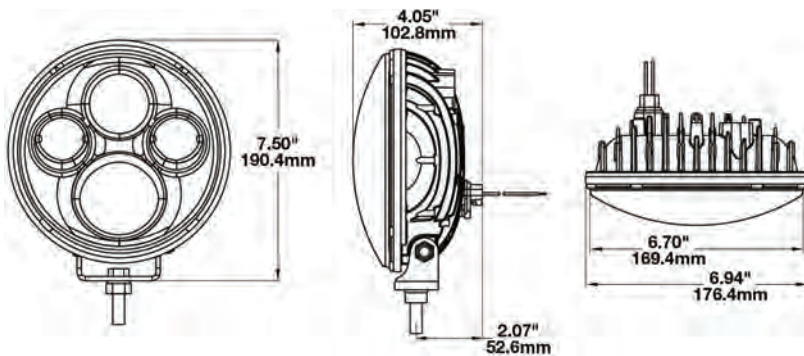
Operating Voltage:
9-32V DC

Current Draw:
3.4A @ 12V DC
1.6A @ 24V DC

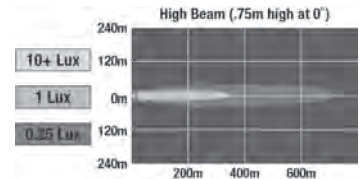
Application & Standards:



⚠ **WARNING:** Cancer and Reproductive Harm - www.P65Warnings.ca.gov
⚠ **AVERTISSEMENT:** Cancer et effet nocif sur la reproduction - www.P65Warnings.ca.gov



| PART # | BEZEL | DESCRIPTION |
|---------|--------|--|
| 0551121 | Chrome | 12-24V ECE LED High Beam with Pedestal Mount |
| 0551603 | Chrome | 12-24V ECE LED High Beam with Pedestal Mount - 2 Light Kit |
| 0551693 | Black | 12-24V ECE LED High Beam with Pedestal Mount - 2 Light Kit |





SMARTHEAT®







SMARTHEAT®

DON'T LET SNOW AND ICE SLOW YOU DOWN.

Winter weather can cause snow and ice build up on the outside of lights, reducing visibility. This creates a dangerous situation not only for you, but to others as well.

J.W. Speaker's series of heated LED lights with SmartHeat® is redefining lighting with its integrated lens heater technology. Each light is designed to automatically de-ice the surface of the lens. Products with SmartHeat provide peace of mind during cold and snowy conditions by maintaining your ability to see, and to be seen by other drivers.

SmartHeat Technology uses an internal sensor for air and light temperature and automatically turns the heater on and off as needed.

| | | <i>Light Temperature</i> | | |
|------------------------|---|---|---|---|
| | |  |  |  |
| <i>Air Temperature</i> |  | ON | ON | OFF |
| |  | ON | OFF | OFF |
| |  | OFF | OFF | OFF |



LUMENS & BEAM PATTERNS

RAW LUMENS:

A measure of the **theoretical** output of a light

Calculated by multiplying the manufacturer's lumen rating for the LED by the number of LEDs in the finished light

Does not represent the actual light output as it doesn't account for thermal, assembly and optical losses that impact all lights

Example Calculation:

LED is rated at 100 Lumens

8 LEDs in the finished light

100 x 8 = 800 Raw Lumens

EFFECTIVE LUMENS:

A measure of the **actual** output of a light

Measured using a photometric testing device for an exact measurement of a finished light for an accurate value of light output

Represents the actual light output of the finished light after thermal, assembly and optical losses

Example Measurement:

Raw Lumens = 800

Losses = ~40% of Raw Lumens (800 x .4 = 320)

800 - 320 = 480 Effective Lumens

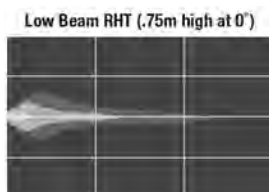
J.W. Speaker uses photometric testing devices and optical engineers to measure the Effective Lumens of our products to give you accurate light output values.

BEAM PATTERNS

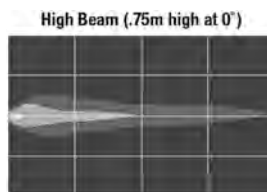
Each light pattern is designed and tested by optical engineers to give you the best possible beam pattern to drive behind.

Below are examples of the common beam patterns.

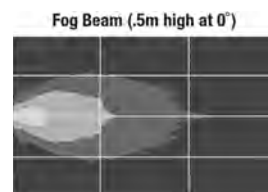
Our engineers design each product to project light in the areas you need it **and** comply with the legal requirements for on-road use in the countries the product is intended to be used in.



Illuminates across the road and ahead of the vehicle, with a cutoff to prevent glare for oncoming traffic



Bright light for distance illumination above and below the horizon, when not following or passing vehicles



Short and wide pattern to illuminate area just above the ground & in front of the vehicle

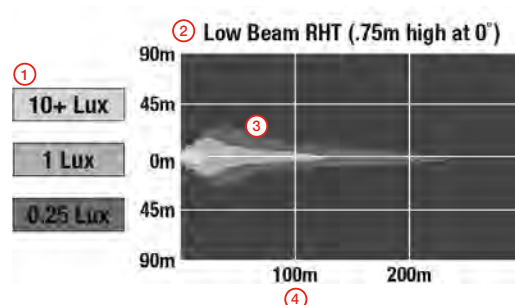
PARTS OF A LIGHT DIAGRAM

Lux Key¹: Intensity of the light measured

Title²: The type of beam pattern, and the height and angle of the light when it was measured

Light Pattern³: A "bird's eye view" showing the shape, intensity, and distance

Distance Markers⁴: Reference in meters (m) for the size and distance of the light pattern





PRODUCT SPECIFICATIONS

Effective Lumen Output:
54

Connector/Wiring:
3-Pin AMP Connector

Operating Voltage:
9-32V DC

Current Draw:
Stop/Turn: 1.3A @ 12V; 0.7A @ 24V DC
Heater: 0.9A @ 12V; 0.5A @ 24V DC

Application & Standards:



⚠ WARNING: Cancer and Reproductive Harm - www.P65Warnings.ca.gov
⚠ AVERTISSEMENT: Cancer et effet nocif sur la reproduction - www.P65Warnings.ca.gov

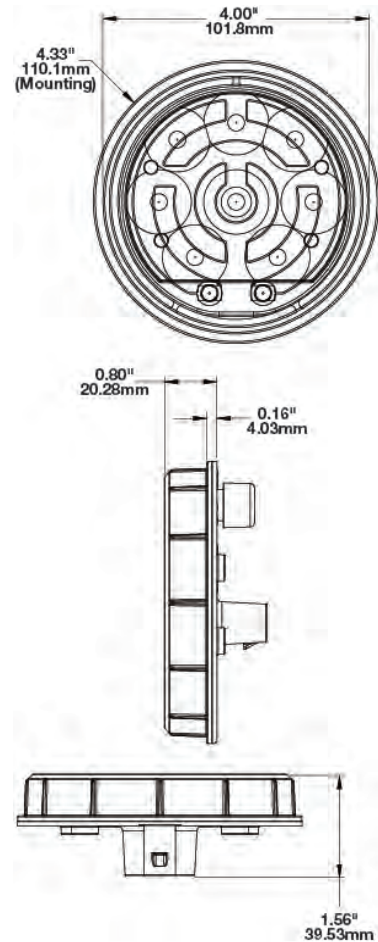
HEATED

| PART # | DESCRIPTION |
|---------|---|
| 0346261 | 12-24V DOT LED Heated Red Stop, Tail, & Turn Light |
| 0346264 | 12-24V DOT LED Heated Red Stop, Tail, & Turn Light Kit with Harness |
| 0347811 | 12-24V DOT LED Heated Amber Turn Signal |
| 0347814 | 12-24V DOT LED Heated Amber Turn Signal Kit with Harness |
| 0346471 | 12-24V DOT LED Heated White Reverse Light |
| 0346474 | 12-24V DOT LED Heated White Reverse Light Kit with Harness |

NON-HEATED

| PART # | DESCRIPTION |
|---------|---|
| 0347861 | 12-24V DOT LED Non-Heated Stop, Tail, & Turn Light |
| 0347864 | 12-24V DOT LED Non-Heated Stop, Tail, & Turn Light Kit with Harness |
| 0347871 | 12-24V DOT LED Non-Heated Turn Signal |
| 0347874 | 12-24V DOT LED Non-Heated Turn Signal Kit with Harness |
| 0347881 | 12-24V DOT LED Non-Heated Reverse Light |
| 0347884 | 12-24V DOT LED Non-Heated Reverse Light Kit with Harness |
| 0346421 | 12-48V DOT LED Non-Heated Stop & Tail Light |

| PART # | ACCESSORIES FOR HEATED & NON-HEATED |
|---------|---|
| 4242731 | 4" Round Rubber Mounting Grommet for Model 234 |
| 5869401 | 4" Round Plastic Mounting Flange for Model 234 |
| 8200441 | 4" Round Stainless Steel Trim Ring for Model 234 |
| 8200451 | 4" Round Chrome Plastic Trim Ring for Model 234 |
| 3270501 | 3-Pin AMP Connector (#282087-1) Wire Harness Assembly |



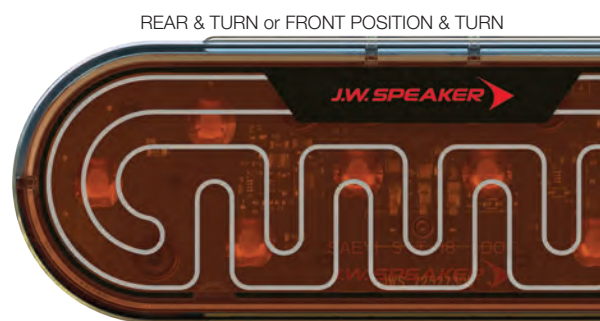
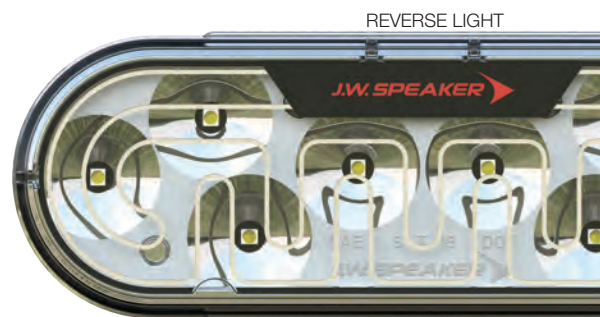
PRODUCT SPECIFICATIONS

Connector/Wiring:
3-Pin AMP Connector (282087-1)

Operating Voltage:
12-24V DC

Current Draw:
Reverse: 0.65A @ 12V; 0.35A @ 24V DC
Turn: 0.45A @ 12; 0.30A @ 24V DC
Front Turn: 0.45A @ 12V; 0.25A @ 24V DC
Front Position/Heater: 0.90A @ 12V; 0.55A @ 24V DC
Heater: 0.85A @ 12V; 0.55A @ 24V DC
Stop/Turn: 0.90A @ 12V; 0.60A @ 24V DC
Tail/Heater: 0.80A @ 12V; 0.55A @ 24V DC
Sidemarker/Heater: 0.90A @ 12V; 0.55A @ 24V DC

Application & Standards:



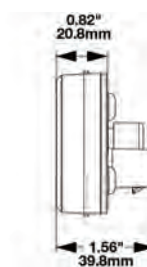
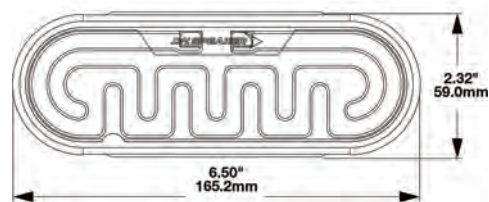
▲ **WARNING:** Cancer and Reproductive Harm - www.P65Warnings.ca.gov
▲ **AVERTISSEMENT:** Cancer et effet nocif sur la reproduction - www.P65Warnings.ca.gov

PART # DESCRIPTION

| | |
|---------|---|
| 0346701 | 12-24V DOT LED Heated Red Stop, Tail, & Turn Light |
| 0346704 | 12-24V DOT LED Heated Red Stop, Tail, & Turn Light with Harness |
| 0346711 | 12-24V DOT LED Heated Amber Rear Turn Light |
| 0346714 | 12-24V DOT LED Heated Amber Rear Turn Light with Harness |
| 0346721 | 12-24V DOT LED Heated White Reverse Light |
| 0346724 | 12-24V DOT LED Heated White Reverse Light with Harness |
| 0346781 | 12-24V DOT LED Heated Amber Front Position & Front Turn Signal Light |
| 0346784 | 12-24V DOT LED Heated Amber Front Position & Front Turn Signal Light with Harness |
| 0346791 | 12-24V DOT LED Heated Amber Side Marker Light |
| 0346794 | 12-24V DOT LED Heated Amber Side Marker Light with Harness |

PART # ACCESSORIES

| | |
|---------|---|
| 4242891 | Rubber Mounting Grommet for Model 274 |
| 5870261 | Plastic Mounting Flange for Model 274 |
| 8200581 | Steel L-Shaped Mounting Bracket for Model 274 |
| 8200591 | Chrome Plastic Trim Ring for Model 274 |
| 3270501 | 3-Pin AMP Connector (#282087-1) Wire Harness Assembly |



MODEL 274 FLASH

SmartHeat!



PRODUCT SPECIFICATIONS

Connector/Wiring:
6-Pin Delphi (#12052848)

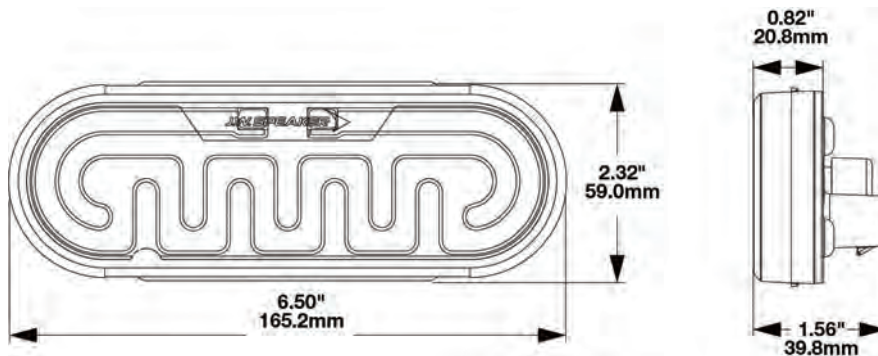
Operating Voltage:
9-32V DC

Current Draw:
All Flash Modes: 1.20A @ 12V; 0.70A @ 24V DC
Turn: 1.50A @ 12; 0.75A @ 24V DC

Application & Standards:



⚠ **WARNING:** Cancer and Reproductive Harm - www.P65Warnings.ca.gov
⚠ **AVERTISSEMENT:** Cancer et effet nocif sur la reproduction - www.P65Warnings.ca.gov



| PART # | COLOR | DESCRIPTION |
|---------|-------|---------------------|
| 0646801 | Green | Flash Warning Light |
| 0646811 | Blue | Flash Warning Light |
| 0646821 | White | Flash Warning Light |
| 0646781 | Amber | Flash Warning Light |
| 0646791 | Red | Flash Warning Light |

| PART # | ACCESSORIES |
|---------|---|
| 4242891 | Rubber Mounting Grommet for Model 274 |
| 5870261 | Plastic Mounting Flange for Model 274 |
| 8200581 | Steel L-Shaped Mounting Bracket for Model 274 |
| 8200591 | Chrome Plastic Trim Ring for Model 274 |
| 3271041 | 6-Pin AMP Connector Wire Harness Assembly |

PRODUCT SPECIFICATIONS

Raw Lumen Output:

1,080

Effective Lumen Output:

780

Connector/Wiring:

Deutsch DT04-2P

Operating Voltage:

10-30V DC

Current Draw:

Non-Heated: 1.3A @ 12V; 0.6A @ 24V DC

Heated: 2.1A @ 12V; 1.1A @ 24V DC

Application & Standards:



⚠ **WARNING:** Cancer and Reproductive Harm - www.P65Warnings.ca.gov
 ⚠ **AVERTISSEMENT:** Cancer et effet nocif sur la reproduction - www.P65Warnings.ca.gov

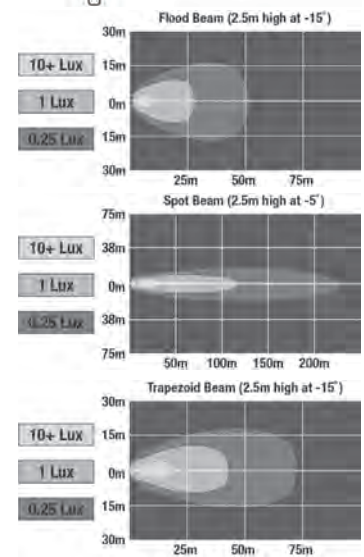
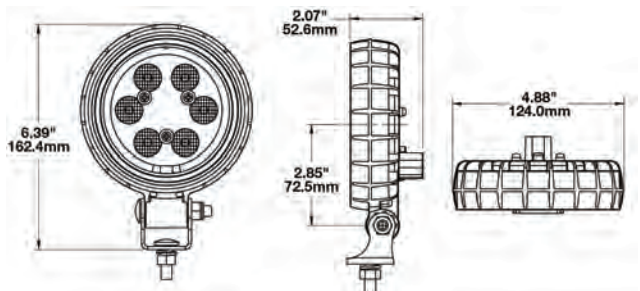
HEATED

| PART # | DESCRIPTION |
|---------|--|
| 1403471 | 12-24V LED Heated Work Light with Flood Beam Pattern |
| 1403481 | 12-24V LED Heated Work Light with Spot Beam Pattern |
| 1403491 | 12-24V LED Heated Amber Work Light with Flood Beam Pattern |
| 1403501 | 12-24V LED Heated Amber Work Light with Spot Beam Pattern |

NON-HEATED

| PART # | DESCRIPTION |
|---------|--|
| 1403241 | 12-24V LED Work Light with Flood Beam Pattern |
| 1403261 | 12-24V LED Work Light with Spot Beam Pattern |
| 1403251 | 12-24V LED Work Light with Trapezoid Beam Pattern |
| 1403291 | 12-110V LED Work Light with Flood Beam Pattern |
| 1403281 | 12-110V LED Work Light with Spot Beam Pattern |
| 1403271 | 12-110V LED Work Light with Trapezoid Beam Pattern |

| PART # | ACCESSORIES FOR HEATED & NON-HEATED |
|---------|--|
| 8200101 | Stainless Steel Mounting Kit for Work Lights & Marine Lights |
| 8200011 | Magnet Mount Kit for XD Series Work Lights |
| 8200121 | Black Mounting Kit for Work Lights & Marine Lights |





PRODUCT SPECIFICATIONS

Raw Lumen Output:

3,200 (High Beam); 1,770 (Low Beam)

Effective Lumen Output:

1,260 (High Beam); 750 (Low Beam)

Candela Output:

71,500 (High Beam); 35,003 (Low Beam)

Connector/Wiring:

H4

Operating Voltage:

9-32V DC

Current Draw:

Heated High Beam: 4.20A @ 12V; 2.30A @ 24V DC

High Beam: 3.50A @ 12V; 1.80A @ 24V DC

Low Beam: 2.00A @ 12V; 1.10A @ 24V DC

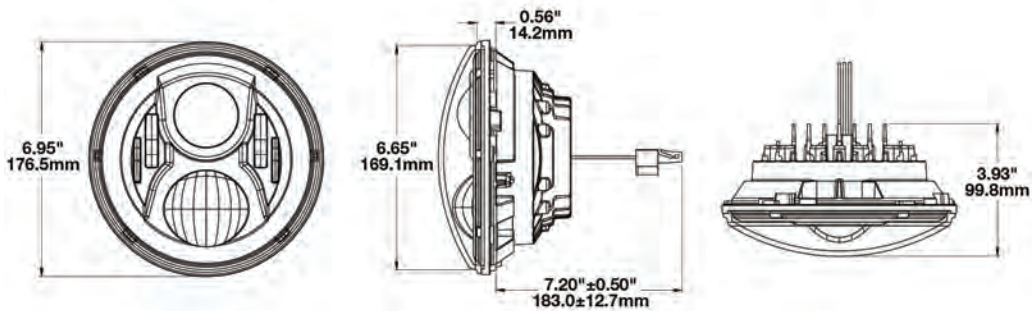
Front Position: 0.16A @ 12V; 0.10A @ 24V DC

DRL: 1.60A @ 12V; 0.80A @ 24V DC

Retrofit Information:

7" Round (PAR56)

Applications & Standards:



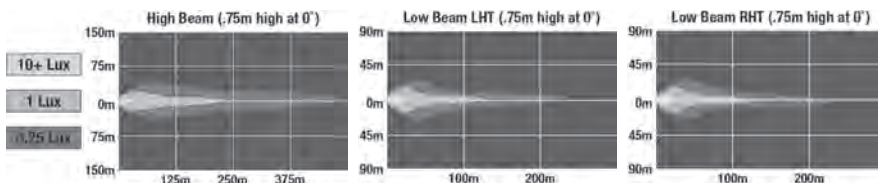
HEATED

| PART # | BEZEL | DESCRIPTION |
|---------|--------|---------------------------|
| 0556281 | Black | DOT/High/Low |
| 0556291 | Chrome | DOT/High/Low |
| 0556301 | Black | ECE/RHT/High/Low/FP & DRL |
| 0556311 | Chrome | ECE/RHT/High/Low/FP & DRL |
| 0556321 | Black | ECE/LHT/High/Low/FP & DRL |
| 0556331 | Chrome | ECE/LHT/High/Low/FP & DRL |

NON-HEATED

| PART # | BEZEL | DESCRIPTION |
|---------|--------|----------------------------|
| 0554941 | Black | DOT/High/Low |
| 0554961 | Chrome | DOT/High/Low |
| 0554981 | Black | DOT/High/Low with Ring Kit |
| 0554991 | Chrome | DOT/High/Low with Ring Kit |

| PART # | ACCESSORIES |
|---------|---|
| 3156351 | Mounting Ring Kit for 7" Round (PAR56) Headlights |
| 3266081 | Jumper Harness H4/H13 |
| 8000381 | Anti-Flicker Harness H4/H4 |
| 8000311 | Anti-Flicker Harness H4/H13 |



PRODUCT SPECIFICATIONS

Raw Lumen Output:

2,250 (High Beam); 2,830 (Low Beam)

Effective Lumen Output:

898 (High Beam); 782 (Low Beam)

Candela Output:

73,200 (High Beam); 29,800 (Low Beam)

Connector/Wiring:

H4 Connector - AMP (#172615-2)

Operating Voltage:

9-32V DC

Current Draw:

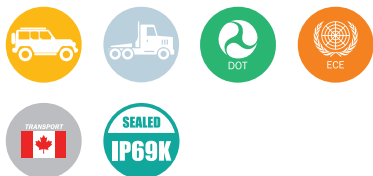
Heated: 3.30A @ 12V; 1.67A @ 24V DC

Non-Heated: 2.10A @ 12V; 1.00A @ 24V DC

Retrofit Information:

4" x 6" Rectangle; 1A1 and 2A1 Sealed Beams

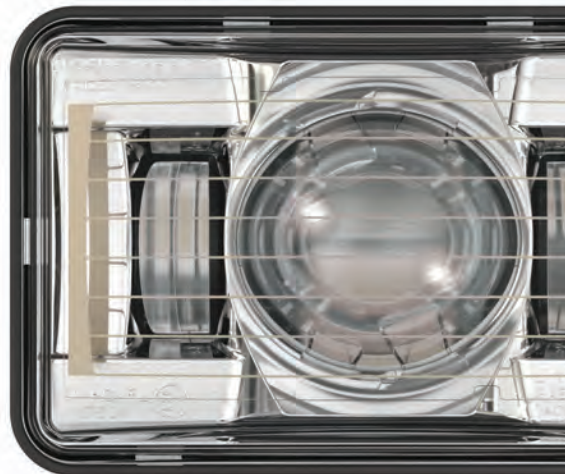
Standards:



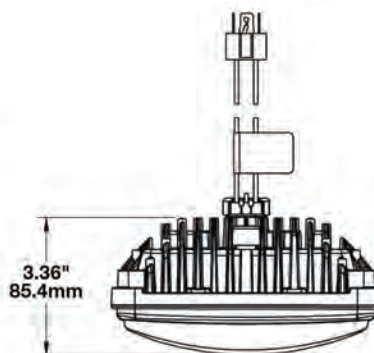
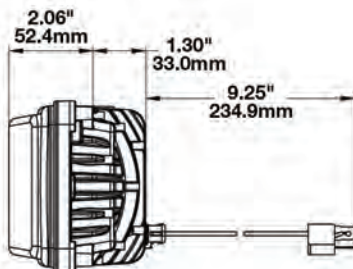
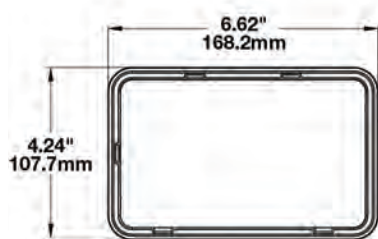
LOW BEAM, HEATED



HIGH BEAM, HEATED



⚠️ WARNING: Cancer and Reproductive Harm - www.P65Warnings.ca.gov
 ⚠️ AVERTISSEMENT: Cancer et effet nocif sur la reproduction - www.P65Warnings.ca.gov

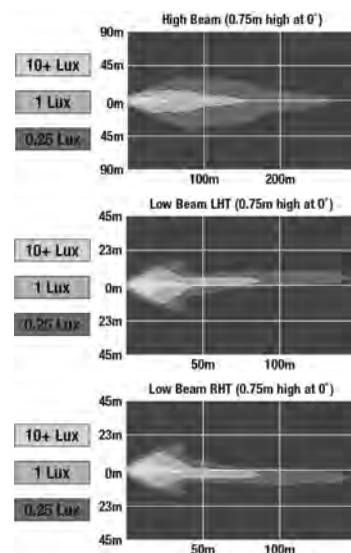


HEATED

| PART # | BEZEL | DESCRIPTION |
|---------|--------|-----------------|
| 0551771 | Chrome | DOT/ECE/RHT/Low |
| 0552651 | Black | DOT/ECE/RHT/Low |
| 0552091 | Chrome | ECE/LHT/Low |
| 0552661 | Black | ECE/LHT/Low |
| 0551781 | Chrome | DOT/ECE/High |
| 0552671 | Black | DOT/ECE/High |

NON-HEATED

| PART # | BEZEL | DESCRIPTION |
|---------|--------|-----------------|
| 0551371 | Chrome | DOT/ECE/RHT/Low |
| 0552551 | Black | DOT/ECE/RHT/Low |
| 0551391 | Chrome | ECE/LHT/Low |
| 0552561 | Black | ECE/LHT/Low |
| 0551381 | Chrome | DOT/ECE/High |
| 0552571 | Black | DOT/ECE/High |





PRODUCT SPECIFICATIONS

Raw Lumen Output:

3,015 (High Beam); 2,250 (Low Beam)

Effective Lumen Output:

1,320 (High Beam); 975 (Low Beam)

Connector/Wiring:

H4

Operating Voltage:

10-32V DC

Current Draw:

High Beam: 5.35A @ 12V; 2.50A @ 24V DC

Low Beam: 4.30A @ 12V; 2.10A @ 24V DC

Front Position: 2.80A @ 12V; 1.32A @ 24V DC

Retrofit Information:

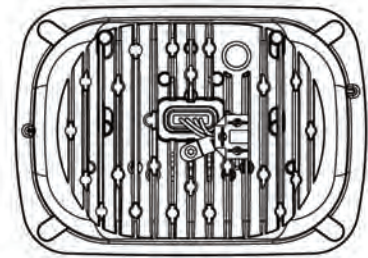
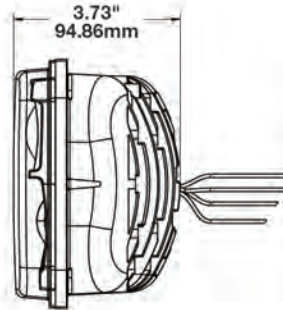
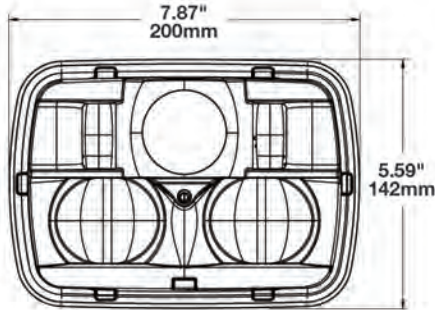
5" x 7" Rectangle; 2B1 Sealed Beams

Applications & Standards:

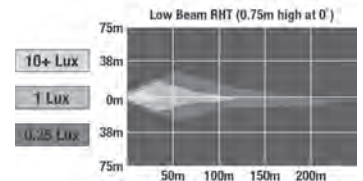
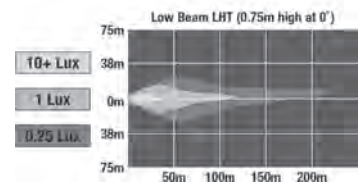
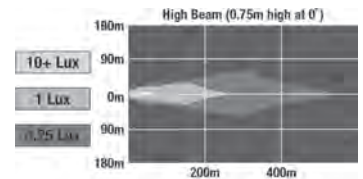


⚠ **WARNING:** Cancer and Reproductive Harm - www.P65Warnings.ca.gov

⚠ **AVERTISSEMENT:** Cancer et effet nocif sur la reproduction - www.P65Warnings.ca.gov



| PART # | BEZEL | DESCRIPTION |
|---------|--------|-------------------------|
| 0554481 | Black | DOT/ECE/RHT/High/Low/FP |
| 0554461 | Chrome | DOT/ECE/RHT/High/Low/FP |
| 0554441 | Black | ECE/LHT/High/Low/FP |
| 0554421 | Chrome | ECE/LHT/High/Low/FP |



If your vehicle is operated in the United States you do NOT need to connect the Front Position wire (red) unless your vehicle is equipped with a front position light.

PRODUCT SPECIFICATIONS

Raw Lumen Output:

2,880 (High Beam); 2,160 (Low Beam)

Effective Lumen Output:

1,150 (High Beam); 800 (Low Beam)

Candela Output:

52,000 (High Beam)

Connector/Wiring:

6-Pin Delphi 12052848

Operating Voltage:

12V: 10-15V

24V: 20-32V DC

Current Draw:

Low Beam: 2.70A @ 12V; 1.20A @ 24V DC

High Beam: 3.40A @ 12V; 1.60A @ 24V DC

Turn Signal: 0.85A @ 12V; 0.27A @ 24V DC

FP & DRL: 0.04A @ 12V; 0.03A @ 24V DC

Retrofit Information:

5" x 11" Rectangle; Pedestal Mount Headlights

Applications & Standards:



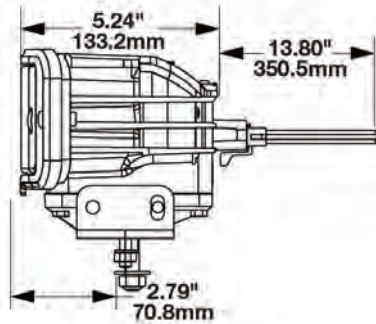
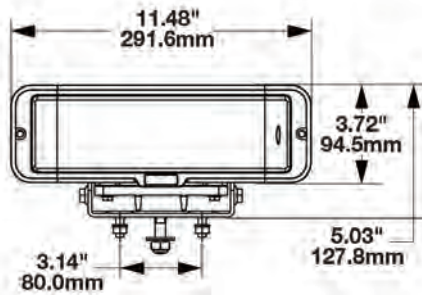
ECE with DRL



DOT



⚠️ **WARNING:** Cancer and Reproductive Harm - www.P65Warnings.ca.gov
 ⚠️ **AVERTISSEMENT:** Cancer et effet nocif sur la reproduction - www.P65Warnings.ca.gov



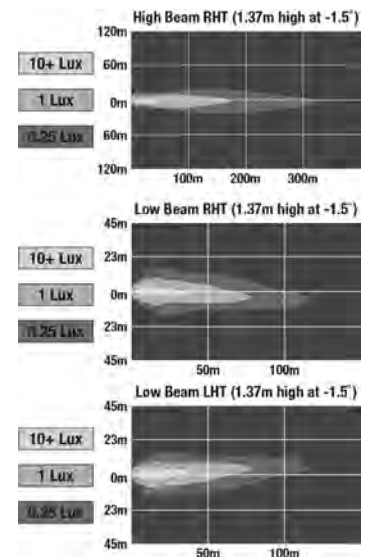
HEATED

| PART # | DESCRIPTION |
|---------|---|
| 0552243 | 12V/DOT/High/Low/Turn/Kit of 2 |
| 0551803 | 24V/DOT/High/Low/Turn/Kit of 2 |
| 0552433 | 12V/ECE/LHT/High/Low/Turn/FP & DRL/Kit of 2 |
| 0551863 | 24V/ECE/LHT/High/Low/Turn/FP & DRL/Kit of 2 |
| 0552423 | 12V/ECE/RHT/High/Low/Turn/FP & DRL/Kit of 2 |
| 0551833 | 24V/ECE/RHT/High/Low/Turn/FP & DRL/Kit of 2 |

NON-HEATED

| PART # | DESCRIPTION |
|---------|--|
| 0550061 | 12-24V/DOT/High/Low/Turn/Kit of 2 |
| 0550161 | 12-24V/ECE/RHT/High/Low/Turn/FP & DRL/Kit of 2 |
| 0550171 | 12-24V/ECE/LHT/High/Low/Turn/FP & DRL/Kit of 2 |

If your vehicle is operated in the United States you do NOT need to connect the Front Position wire (red) unless your vehicle is equipped with a front position light.



PRODUCT SPECIFICATIONS



Raw Lumen Output:

2,880 (High Beam); 2,160 (Low Beam)

Effective Lumen Output:

1,150 (High Beam); 800 (Low Beam)

Candela Output:

52,000 (High Beam)

Connector/Wiring:

6-Pin Delphi 12052848

Operating Voltage:

12-24V DC

Current Draw:

Low Beam: 1.75A @ 12V; 1.00A @ 24V DC

High Beam: 2.50A @ 12V; 1.50A @ 24V DC

Turn: .750A @ 12V DC; .280A @ 24V DC

Front Position: .040A @ 12V DC; .025A @ 24V DC

Heater: 2.00A @ 12V DC; 1.75A @ 24V DC

Retrofit Information:

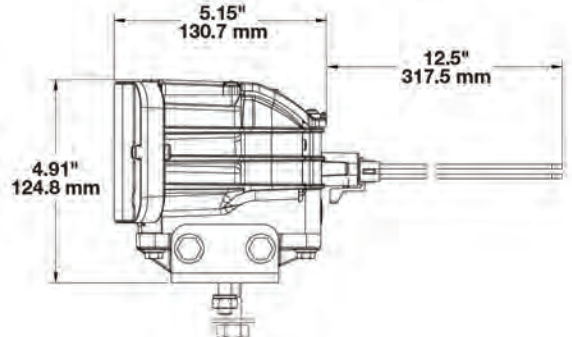
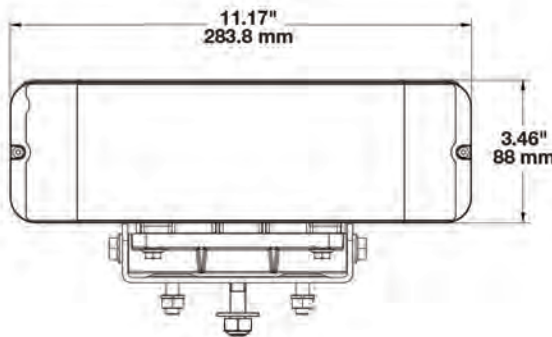
5" x 11" Rectangle; Pedestal Mount Headlights

Applications & Standards:



⚠ **WARNING:** Cancer and Reproductive Harm - www.P65Warnings.ca.gov

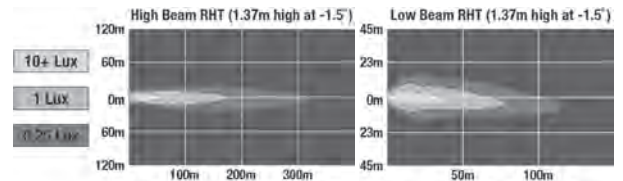
⚠ **AVERTISSEMENT:** Cancer et effet nocif sur la reproduction - www.P65Warnings.ca.gov



PART # DESCRIPTION

0555743 12-24V DOT/High/Low/Turn/FP/Kit of 2

If your vehicle is operated in the United States you do NOT need to connect the Front Position wire (red) unless your vehicle is equipped with a front position light.



PRODUCT SPECIFICATIONS

Raw Lumen Output:
2370 (Low Beam); 4300 (High Beam)

Effective Lumen Output:
587 (Low Beam); 1060 (High Beam)

Candela Output:
58,000 (High Beam)

Connector/Wiring:
6-Pin Delphi 12052848

Operating Voltage:
9-30V DC

Current Draw:
Low Beam: 3.50A @ 12V; 2.25A @ 24V DC
High Beam: 5.00A @ 12V; 3.00A @ 24V DC
Turn: 1.20A @ 12V DC; .75A @ 24V DC
Front Position: 2.00A @ 12V DC; 1.50A @ 24V DC
DRL: 2.50A @ 12V DC; 1.75A @ 24V DC

Retrofit Information:
3" x 13" Rectangle; Pedestal Mount Headlights

Standards:



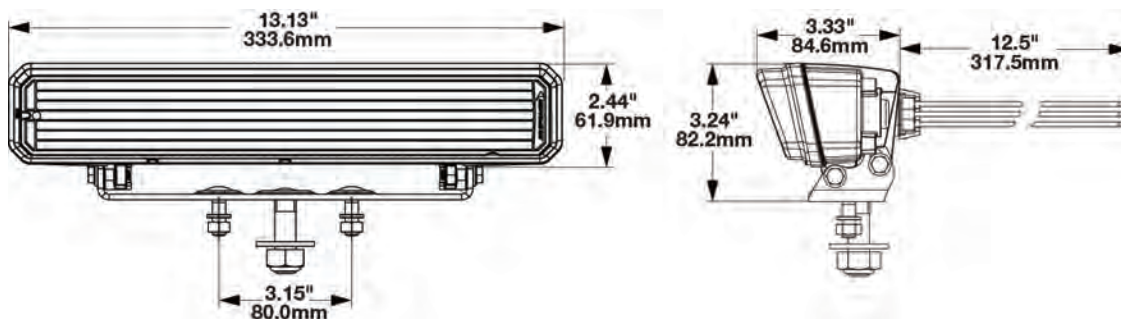
RIGHT HAND LAMP



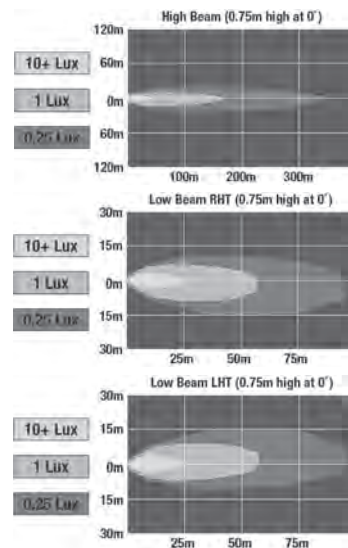
LEFT HAND LAMP



⚠ **WARNING:** Cancer and Reproductive Harm - www.P65Warnings.ca.gov
⚠ **AVERTISSEMENT:** Cancer et effet nocif sur la reproduction - www.P65Warnings.ca.gov



| PART # | DESCRIPTION |
|---------|---|
| 0556273 | DOT/ECE/RHT/High/Low/Turn/FP & DRL/Kit of 2 |
| 0556383 | ECE/LHT/High/Low/Turn/FP& DRL/Kit of 2 |



If your vehicle is operated in the United States you do NOT need to connect the Front Position wire (red) unless your vehicle is equipped with a front position light.

RETAIL DISPLAYS

People need to know how J.W. Speaker's heated lights increase visibility and safety. Our interactive display will explain SmartHeat™ to every customer who walks through the door.

Get one display with each \$2,500 stocking order. Your J.W. Speaker Sales Representative has a list of pre-selected tail and work lights; you choose your own combination of heated headlamps.

Every display is ready to go—fully assembled with lights installed. A modified tail light remains heated for demonstration.



Allow Us to Make the Introduction.

J.W. Speaker's interactive display demonstrates SmartHeat™ –the latest advancement in safer winter driving. And safety sells.





SIGNAL LIGHTS

MODEL 150



PRODUCT SPECIFICATIONS

Connector/Wiring:
118" Bare Leads

Input Voltage:
12-24V DC

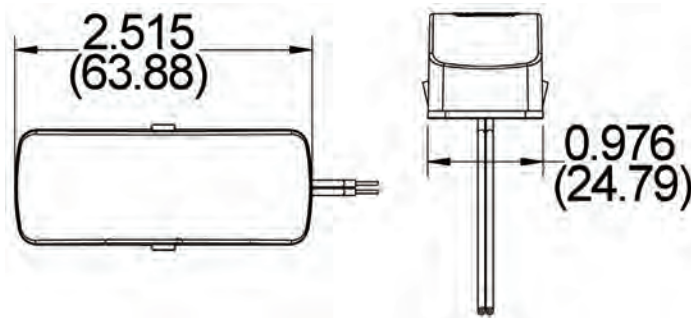
Current Draw:
0.090 (Max)A @ 12V DC

Application & Standards:



⚠ **WARNING:** Cancer and Reproductive Harm - www.P65Warnings.ca.gov

⚠ **AVERTISSEMENT:** Cancer et effet nocif sur la reproduction - www.P65Warnings.ca.gov



PART # DESCRIPTION

| | |
|---------|---|
| 0205321 | 12-24V ECE/SAE Red LED Side Marker Light with Mounting Assembly |
| 0205341 | 12-24V ECE/SAE Amber LED Side Marker Light with Mounting Assembly |
| 0443051 | 12-24V Clear/White LED Dome Light with Mounting Assembly |

PART # ACCESSORIES

| | |
|---------|--|
| 5856032 | Replacement Mounting Assembly for Model 150 LED Lights |
|---------|--|

PRODUCT SPECIFICATIONS

Connector:

Bare Leads

Input Voltage:

12-24V DC

Current Draw:

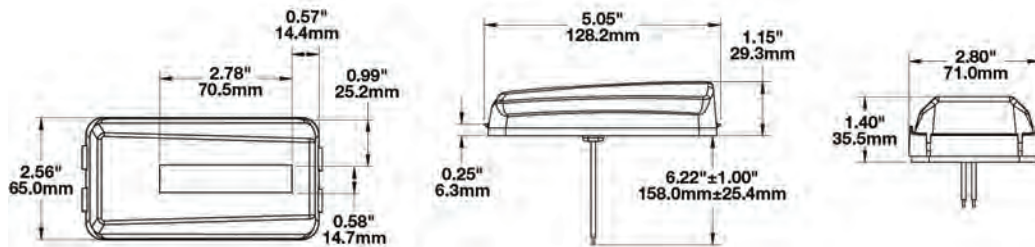
0.41A @ 12V DC

0.2A @ 24V DC

Application & Standards:



▲ **WARNING:** Cancer and Reproductive Harm - www.P65Warnings.ca.gov
 ▲ **AVERTISSEMENT:** Cancer et effet nocif sur la reproduction - www.P65Warnings.ca.gov



| PART # | CONNECTOR/WIRING | DESCRIPTION |
|---------|------------------|---|
| 0344301 | Deutsch DT04-2P | 12-24V ECE/SAE LED Clear Side Turn Signal with Mount |
| 0344311 | 6" Bare Leads | 12-24V ECE/SAE LED Amber Side Turn Signal with Mount |
| 0344461 | Deutsch DT04-3P | 12-24V ECE/SAE LED Amber Side Marker/Side Turn Signal |

MODEL 170



PRODUCT SPECIFICATIONS

Connector/Wiring:
23" Bare Leads

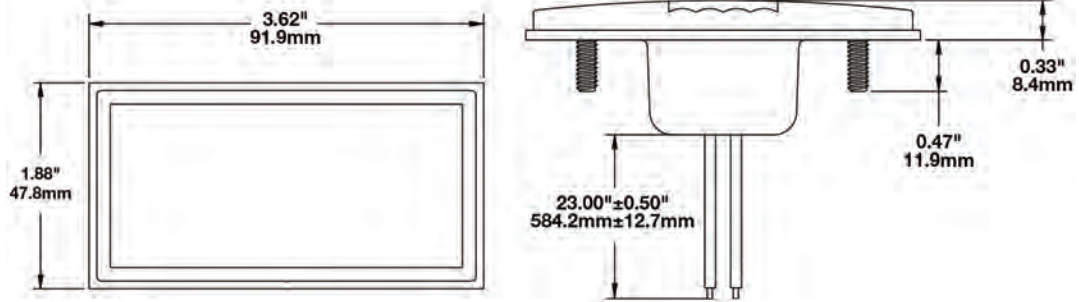
Input Voltage:
12V DC

Current Draw:
0.055-0.070 A @ 12V DC

Application & Standards:



⚠ **WARNING:** Cancer and Reproductive Harm - www.P65Warnings.ca.gov
 ⚠ **AVERTISSEMENT:** Cancer et effet nocif sur la reproduction - www.P65Warnings.ca.gov



| PART # | DESCRIPTION |
|---------|---|
| 0230721 | 12V ECE/SAE Red LED Side Marker Light |
| 0230731 | 12V ECE/SAE Amber LED Side Marker Light |



MODEL 206



PRODUCT SPECIFICATIONS

Connector/Wiring:
12" Bare Leads

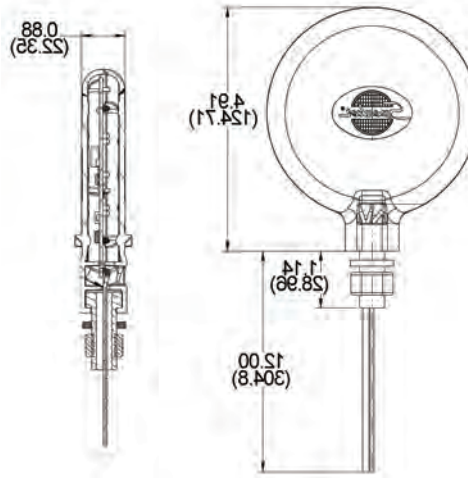
Operating Voltage:
12-24V DC

Current Draw:
0.575A @ 12V DC
0.267A @ 24V DC

Application & Standards:



⚠ **WARNING:** Cancer and Reproductive Harm - www.P65Warnings.ca.gov
⚠ **AVERTISSEMENT:** Cancer et effet nocif sur la reproduction - www.P65Warnings.ca.gov



PART # DESCRIPTION

| | |
|---------|---|
| 0341681 | 12-24V SAE Double-Sided LED Turn Signal without Guard |
| 0341931 | 12-24V SAE Double-Sided LED Turn Signal with Guard |
| 0342771 | 12-24V ECE/SAE Single-Sided LED Stop & Tail Light without Guard |
| 0342781 | 12-24V ECE/SAE Single-Sided LED Stop & Tail Light with Guard |

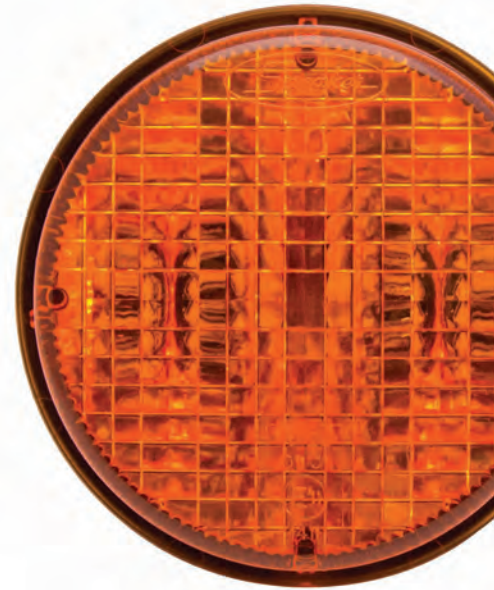
PRODUCT SPECIFICATIONS

Connector/Wiring:
610mm Cable

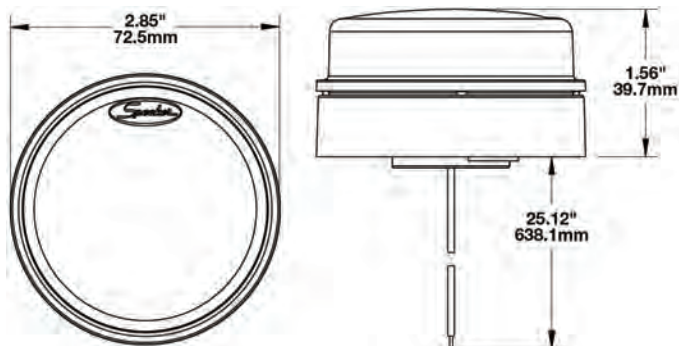
Operating Voltage:
9-32V DC

Current Draw:
0.12A @ 12V DC
0.07A @ 24V DC

Application & Standards:

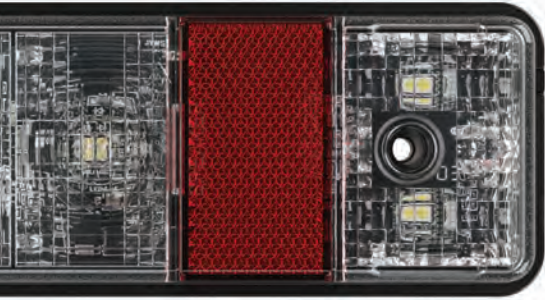


⚠ **WARNING:** Cancer and Reproductive Harm - www.P65Warnings.ca.gov
⚠ **AVERTISSEMENT:** Cancer et effet nocif sur la reproduction - www.P65Warnings.ca.gov



| PART # | DESCRIPTION |
|---------|--|
| 0345421 | 12-24V SAE/ECE LED Backup Light without 90mm Mounting Assembly Adapter |
| 0345451 | 12-24V SAE/ECE LED DRL & Front Position Light without 90mm Mounting Assembly Adapter |
| 0345461 | 12-24V SAE/ECE LED DRL & Front Position Light with 90mm Mounting Assembly Adapter |
| 0345411 | 12-24V SAE/ECE LED Stop & Tail Light without 90mm Mounting Assembly Adapter |
| 0345521 | 12-24V SAE/ECE LED Turn Signal with 90mm Mounting Assembly Adapter |
| 0345441 | 12-24V SAE/ECE LED Turn Signal without 90mm Mounting Assembly Adapter |

MODEL 220



PRODUCT SPECIFICATIONS

Connector/Wiring:
Integral DT04-6P

Operating Voltage:
6-32V DC

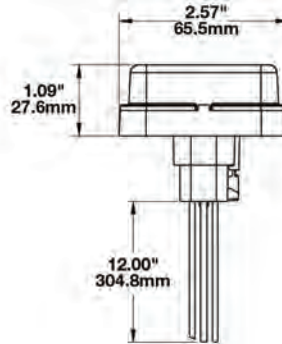
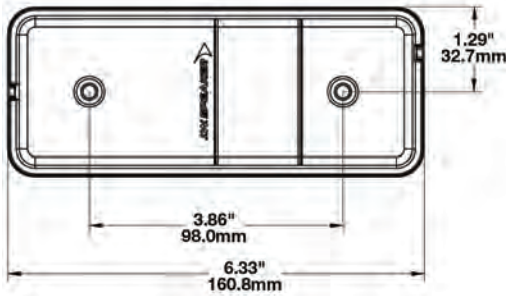
Current Draw:
 Stop: 0.16A @ 12V; 0.10A @ 24V DC
 Tail: 0.02A @ 12V; 0.01A @ 24V DC
 Turn: 1.42A @ 12V; 0.71A @ 24V DC
 Backup: 0.14A @ 12V; 0.07A @ 24V DC

Application & Standards:



⚠ **WARNING:** Cancer and Reproductive Harm - www.P65Warnings.ca.gov

⚠ **AVERTISSEMENT:** Cancer et effet nocif sur la reproduction - www.P65Warnings.ca.gov



PART # DESCRIPTION

0338101 12-24V ECE LED Stop, Tail & Turn Signal Light

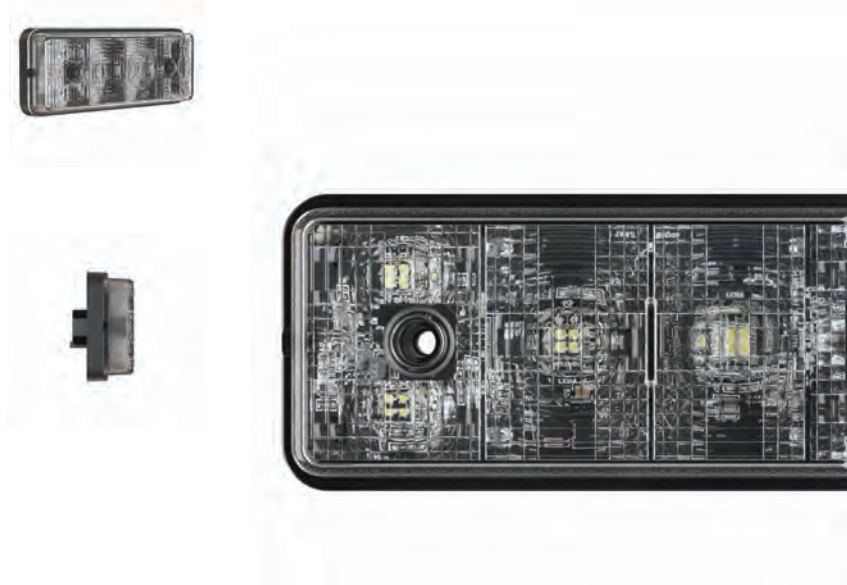
PRODUCT SPECIFICATIONS

Connector/Wiring:
Integral DT04-6P

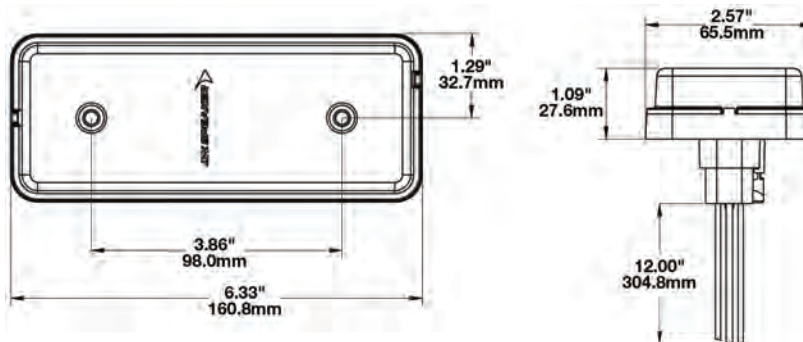
Operating Voltage:
6-32V DC

Current Draw:
Turn: 1.42A @ 12V; 0.71A @ 24V DC
Front Position: 0.10A @ 12V; 0.05A @ 24V DC

Application & Standards:



⚠ **WARNING:** Cancer and Reproductive Harm - www.P65Warnings.ca.gov
⚠ **AVERTISSEMENT:** Cancer et effet nocif sur la reproduction - www.P65Warnings.ca.gov

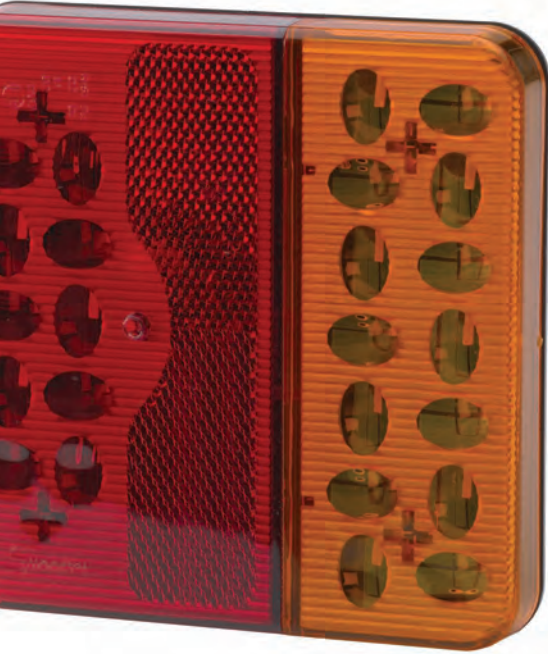


| PART # | DESCRIPTION |
|--------|-------------|
|--------|-------------|

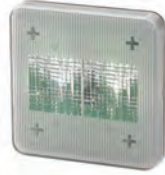
| | |
|---------|---|
| 0338111 | 12-24V ECE LED Front Position & Front Turn Signal Light |
|---------|---|

MODEL 223 & 224

MODEL 223



MODEL 224



PRODUCT SPECIFICATIONS

Model 223

Connector/Wiring:
4-Pin Deutsch DT04-4P

Operating Voltage:
12-24V DC

Current Draw:
Front Position & Turn:
2.250 A @ 12V DC
0.250 A @ 12V DC
Stop, Tail, & Turn:
0.33A @ 12V DC
0.145A @ 24V DC

Model 224

Connector/Wiring:
4-Pin Deutsch DT06-4S

Operating Voltage:
9-30V DC

Current Draw:
Backup Light:
0.145A @ 12V DC
0.082A @ 24V DC
Fog Light
0.338A @ 12V DC
0.156A @ 24V DC
Stop & Tail
0.190A @ 12V DC
0.030A @ 12V DC
Turn
2.20A @ 12V DC
1.14A @ 24V DC

Application & Standards:



⚠ **WARNING:** Cancer and Reproductive Harm - www.P65Warnings.ca.gov

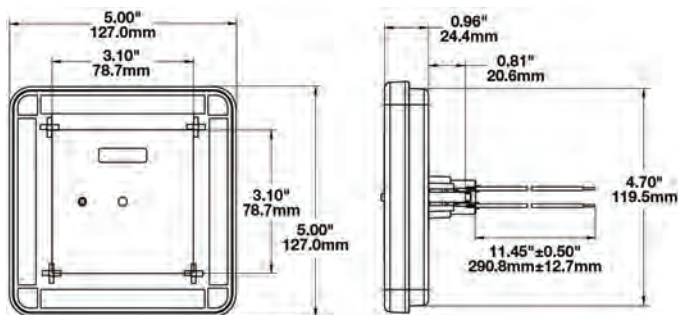
⚠ **AVERTISSEMENT:** Cancer et effet nocif sur la reproduction - www.P65Warnings.ca.gov



MODEL 223

PART # DESCRIPTION

| | |
|---------|--|
| 0341711 | 12-24V ECE LED Front Position/Front Turn Signal Light |
| 0341701 | 12-24V ECE LED Stop, Tail & Turn Signal Light with Harness |



MODEL 224

PART # DESCRIPTION

| | |
|---------|--|
| 0442611 | 12-24V ECE/SAE LED Backup Light with Harness |
| 0342361 | 12-24V ECE LED Rear Fog Light with Harness |
| 0342301 | 12-24V ECE/SAE LED Stop & Tail Light |
| 0342291 | 12-24V ECE/SAE LED Turn Signal Light |

MODEL 225

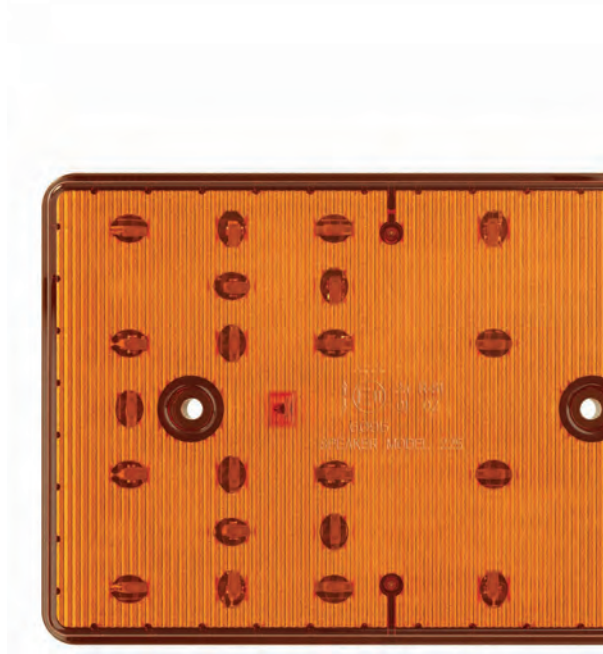
PRODUCT SPECIFICATIONS

Connector/Wiring:
Deutsch DT04-4P

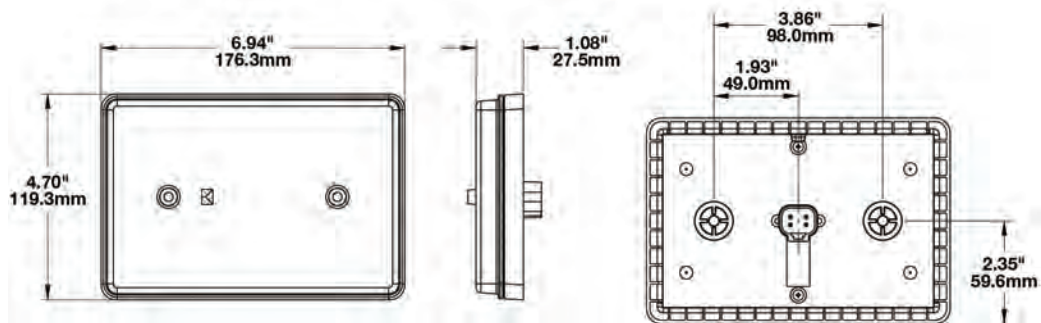
Operating Voltage:
10-32V DC

Current Draw:
1.40A @ 12V DC
0.86A @ 24V DC

Application & Standards:



WARNING: Cancer and Reproductive Harm - www.P65Warnings.ca.gov
AVERTISSEMENT: Cancer et effet nocif sur la reproduction - www.P65Warnings.ca.gov



PART # DESCRIPTION

0347431 12-24V ECE/SAE LED Stop, Tail & Turn Signal Light



PRODUCT SPECIFICATIONS

Effective Lumen Output:
54

Connector/Wiring:
Bare Leads

Operating Voltage:
9-32V DC

Current Draw:
Stop/Turn: 1.3A @ 12V; 0.7A @ 24V DC
Heater: 0.9A @ 12V; 0.5A @ 24V DC

Application & Standards:



⚠ WARNING: Cancer and Reproductive Harm - www.P65Warnings.ca.gov
⚠ AVERTISSEMENT: Cancer et effet nocif sur la reproduction - www.P65Warnings.ca.gov

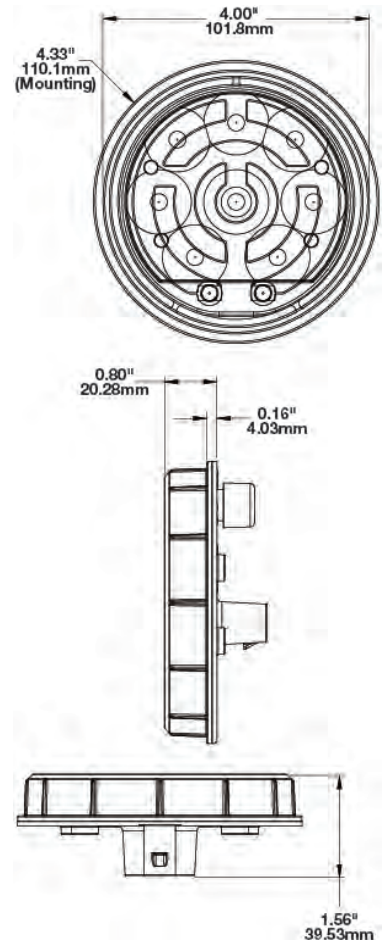
HEATED

| PART # | DESCRIPTION |
|---------|---|
| 0346261 | 12-24V DOT LED Heated Red Stop, Tail, & Turn Light |
| 0346264 | 12-24V DOT LED Heated Red Stop, Tail, & Turn Light Kit with Harness |
| 0347811 | 12-24V DOT LED Heated Amber Turn Signal |
| 0347814 | 12-24V DOT LED Heated Amber Turn Signal Kit with Harness |
| 0346471 | 12-24V DOT LED Heated White Reverse Light |
| 0346474 | 12-24V DOT LED Heated White Reverse Light Kit with Harness |

NON-HEATED

| PART # | DESCRIPTION |
|---------|---|
| 0347861 | 12-24V DOT LED Non-Heated Stop, Tail, & Turn Light |
| 0347864 | 12-24V DOT LED Non-Heated Stop, Tail, & Turn Light Kit with Harness |
| 0347871 | 12-24V DOT LED Non-Heated Turn Signal |
| 0347874 | 12-24V DOT LED Non-Heated Turn Signal Kit with Harness |
| 0347881 | 12-24V DOT LED Non-Heated Reverse Light |
| 0347884 | 12-24V DOT LED Non-Heated Reverse Light Kit with Harness |
| 0346421 | 12-48V DOT LED Non-Heated Stop & Tail Light |

| PART # | ACCESSORIES FOR HEATED & NON-HEATED |
|---------|---|
| 4242731 | 4" Round Rubber Mounting Grommet for Model 234 |
| 5869401 | 4" Round Plastic Mounting Flange for Model 234 |
| 8200441 | 4" Round Stainless Steel Trim Ring for Model 234 |
| 8200451 | 4" Round Chrome Plastic Trim Ring for Model 234 |
| 3270501 | 3-Pin AMP Connector (#282087-1) Wire Harness Assembly |



PRODUCT SPECIFICATIONS

Connector/Wiring:
4-Pin Deutsch Plug (DT06-4S)

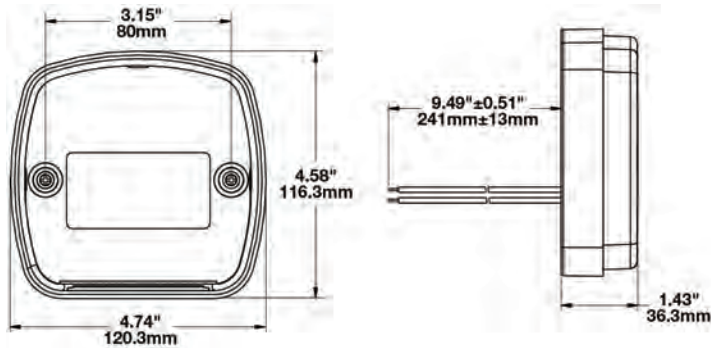
Operating Voltage:
12-24V DC

Current Draw:
Stop: 0.350A @ 12V DC
Tail: 0.130A @ 12V DC
Turn: 1.300 A @ 12V DC

Application & Standards:



⚠ **WARNING:** Cancer and Reproductive Harm - www.P65Warnings.ca.gov
⚠ **AVERTISSEMENT:** Cancer et effet nocif sur la reproduction - www.P65Warnings.ca.gov



| PART # | DESCRIPTION |
|---------|---|
| 0343141 | 12-24V ECE LED Stop, Tail & Turn Signal Light with License Plate Illuminator |
| 0343151 | 12-24V ECE LED Stop, Tail & Turn Signal Light without License Plate Illuminator |

MODEL 239 J2

PRODUCT SPECIFICATIONS



Connector/Wiring:
Leads with Connector

Operating Voltage:
9-16V DC

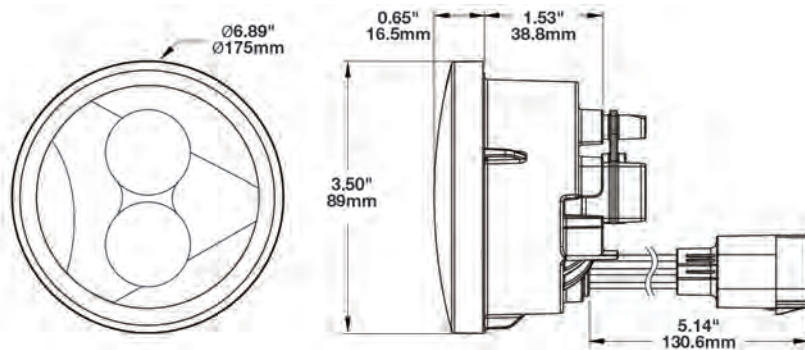
Current Draw:
Front Position: 0.09A @ 12V DC
Turn: 1.91A @ 12V DC

Application & Standards:



⚠ **WARNING:** Cancer and Reproductive Harm - www.P65Warnings.ca.gov

⚠ **AVERTISSEMENT:** Cancer et effet nocif sur la reproduction - www.P65Warnings.ca.gov



PART # DESCRIPTION

| | |
|---------|---|
| 0346483 | 12V DOT/ECE LED Round Turn Signals with Amber Lens - 2 Light Kit |
| 0346493 | 12V DOT/ECE LED Round Turn Signals with Clear Lens - 2 Light Kit |
| 0346503 | 12V DOT/ECE LED Round Turn Signals with Smoked Lens - 2 Light Kit |



PRODUCT SPECIFICATIONS

Connector/Wiring:
3-Pin Deutsch DT06-3P

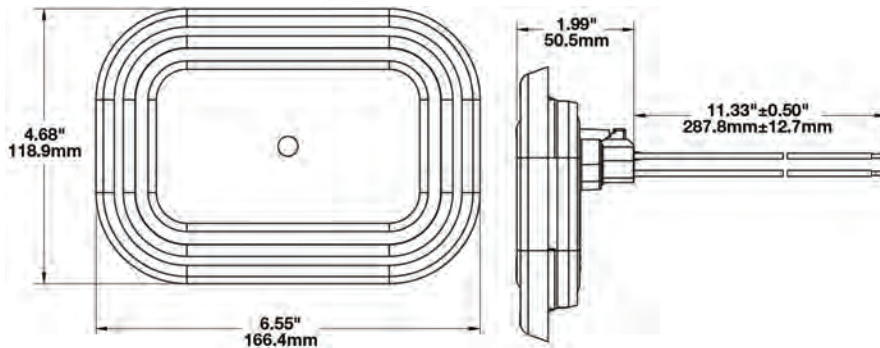
Input Voltage:
12-24V DC

Current Draw:
Backup: 0.4A @ 12V; 0.23A @ 24V DC
Stop: 0.167A @ 12V; 0.097A @ 24V DC
Tail: 0.010A @ 12V; 0.030 A @ 24V DC
Turn: 0.35A @ 12V; 0.125A @ 24V DC

Application & Standards:



WARNING: Cancer and Reproductive Harm - www.P65Warnings.ca.gov
AVERTISSEMENT: Cancer et effet nocif sur la reproduction - www.P65Warnings.ca.gov



| PART # | DESCRIPTION |
|---------|--------------------------------------|
| 0443081 | 12-24V ECE/SAE LED Backup Light |
| 0343911 | 12-24V ECE/SAE LED Stop & Tail Light |
| 0343921 | 12-24V ECE/SAE LED Turn Signal Light |

MODEL 265



PRODUCT SPECIFICATIONS

Connector/Wiring:

6-Pin Deutsch DT04-6P-E004; Others Available

Operating Voltage:

9-30V DC

Current Draw:

Stop: 0.115A @ 12V; 0.075A @ 24V DC

Tail: 0.010A @ 12V; 0.010A @ 24V DC

Turn: 0.115A @ 12V; 0.080A @ 24V DC

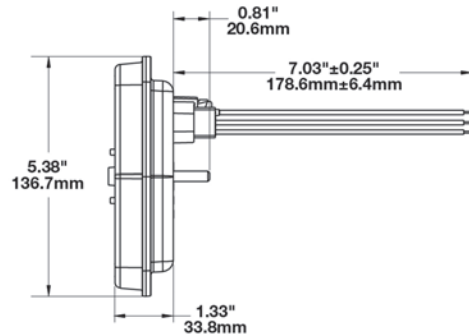
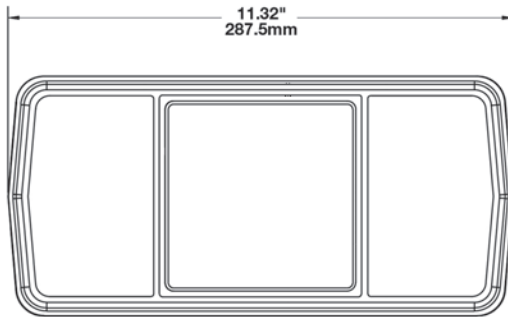
Reverse: 0.045A @ 12V; 0.028A @ 24V DC

Application & Standards:



⚠ **WARNING:** Cancer and Reproductive Harm - www.P65Warnings.ca.gov

⚠ **AVERTISSEMENT:** Cancer et effet nocif sur la reproduction - www.P65Warnings.ca.gov



| PART # | DESCRIPTION |
|--------|-------------|
|--------|-------------|

| | |
|---------|---|
| 0342421 | 12-24V ECE/SAE LED Stop, Tail, Turn Signal & Backup Light |
|---------|---|

PRODUCT SPECIFICATIONS

Connector/Wiring:

Integrated 4-Pin Deutsch (DT04-4P)

Input Voltage:

12-24V DC

Current Draw:

Stop: 0.375A @ 12V; 0.250A @ 24V DC

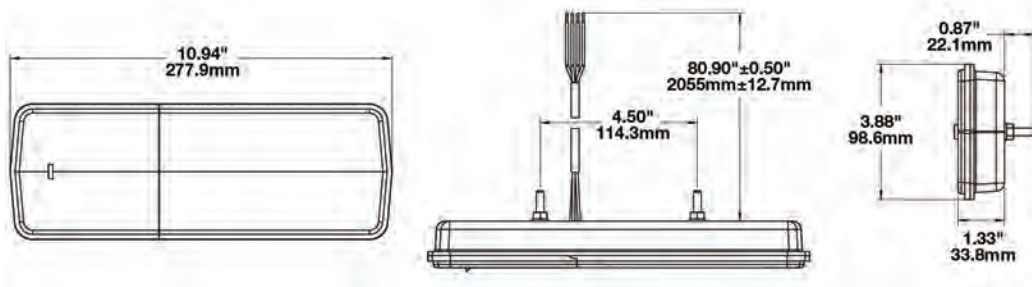
Tail: 0.075A @ 12V; 0.05A @ 24V DC

Turn: 0.450A @ 12V; 0.325A @ 24V DC

Application & Standards:



⚠ **WARNING:** Cancer and Reproductive Harm - www.P65Warnings.ca.gov
 ⚠ **AVERTISSEMENT:** Cancer et effet nocif sur la reproduction - www.P65Warnings.ca.gov



| PART # | DESCRIPTION |
|--------|-------------|
|--------|-------------|

| | |
|---------|---|
| 0339711 | 12-24V ECE/SAE LED Stop, Tail & Turn Signal Light |
|---------|---|

MODEL 270



PRODUCT SPECIFICATIONS

Connector/Wiring:
16" Bare Leads

Input Voltage:
12V DC

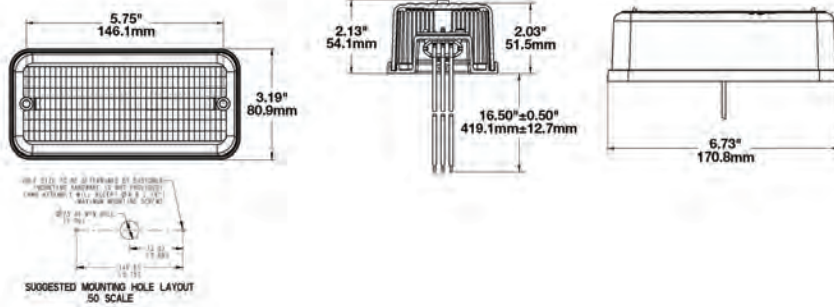
Current Draw:
Stop: 0.070A @ 12V DC
Tail: 0.007A @ 12V DC
Turn: 0.5A @ 12V DC

Application & Standards:



⚠ **WARNING:** Cancer and Reproductive Harm - www.P65Warnings.ca.gov

⚠ **AVERTISSEMENT:** Cancer et effet nocif sur la reproduction - www.P65Warnings.ca.gov



| PART # | DESCRIPTION |
|--------|-------------|
|--------|-------------|

| | |
|---------|-----------------------------------|
| 0341341 | 12V ECE/SAE LED Turn Signal Light |
|---------|-----------------------------------|

| | |
|---------|-----------------------------------|
| 0341361 | 12V ECE/SAE LED Stop & Tail Light |
|---------|-----------------------------------|

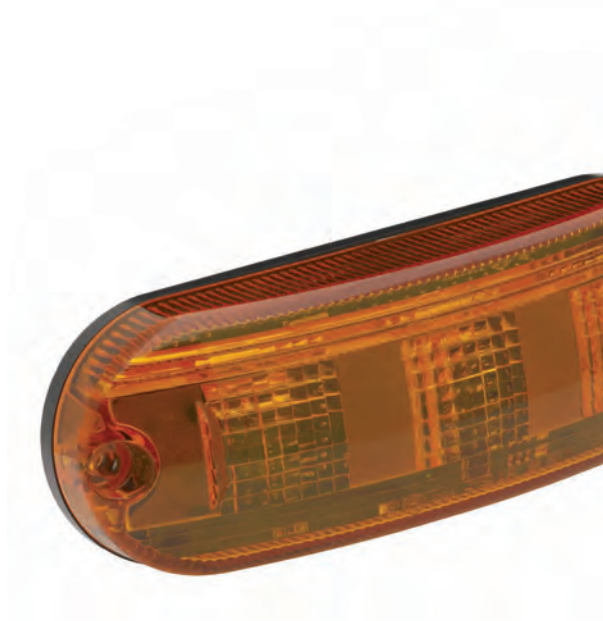
PRODUCT SPECIFICATIONS

Connector/Wiring:
Integrated Delphi Socket

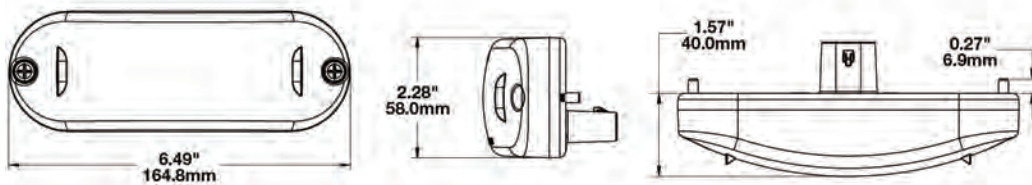
Operating Voltage:
10-30V DC

Current Draw:
Stop & Tail: 0.16A @ 12V; 0.95A @ 24V DC
Turn: 0.19A @ 12V; 0.12A @ 24V DC

Application & Standards:



⚠ **WARNING:** Cancer and Reproductive Harm - www.P65Warnings.ca.gov
⚠ **AVERTISSEMENT:** Cancer et effet nocif sur la reproduction - www.P65Warnings.ca.gov



| PART # | DESCRIPTION |
|---------|--------------------------------------|
| 0341811 | 12-24V ECE/SAE LED Stop & Tail Light |
| 0341801 | 12-24V ECE/SAE LED Turn Signal Light |
| 0343181 | 12-24V ECE/SAE LED Turn Signal Light |



STOP, TAIL, & TURN



PRODUCT SPECIFICATIONS

Connector/Wiring:

3-Pin AMP Connector (282087-1)

Operating Voltage:

12-24V DC

Current Draw:

Reverse: 0.65A @ 12V; 0.35A @ 24V DC

Turn: 0.45A @ 12V; 0.30A @ 24V DC

Front Position/Heater: 0.90A @ 12V; 0.55A @ 24V DC

Heater: 0.85A @ 12V; 0.55A @ 24V DC

Stop/Turn: 0.90A @ 12V; 0.60A @ 24V DC

Tail/Heater: 0.80A @ 12V; 0.55A @ 24V DC

Sidemarket/Heater: 0.90A @ 12V; 0.55A @ 24V DC

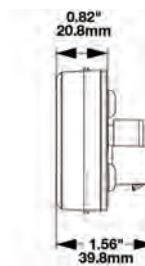
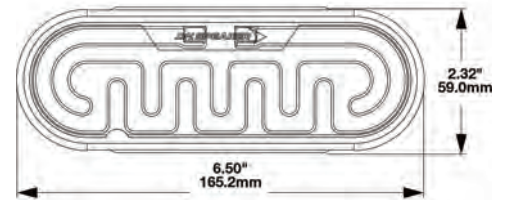
Application & Standards:



⚠ WARNING: Cancer and Reproductive Harm - www.P65Warnings.ca.gov

⚠ AVERTISSEMENT: Cancer et effet nocif sur la reproduction - www.P65Warnings.ca.gov

| PART # | DESCRIPTION |
|---------|---|
| 0346701 | 12-24V DOT LED Heated Red Stop, Tail, & Turn Light |
| 0346704 | 12-24V DOT LED Heated Red Stop, Tail, & Turn Light with Harness |
| 0346711 | 12-24V DOT LED Heated Amber Rear Turn Light |
| 0346714 | 12-24V DOT LED Heated Amber Rear Turn Light with Harness |
| 0346721 | 12-24V DOT LED Heated White Reverse Light |
| 0346724 | 12-24V DOT LED Heated White Reverse Light with Harness |
| 0346781 | 12-24V DOT LED Heated Amber Front Position & Front Turn Signal Light |
| 0346784 | 12-24V DOT LED Heated Amber Front Position & Front Turn Signal Light with Harness |
| 0346791 | 12-24V DOT LED Heated Amber Side Marker Light |
| 0346794 | 12-24V DOT LED Heated Amber Side Marker Light with Harness |



| PART # | ACCESSORIES |
|---------|---|
| 4242891 | Rubber Mounting Grommet for Model 274 |
| 5870261 | Plastic Mounting Flange for Model 274 |
| 8200581 | Steel L-Shaped Mounting Bracket for Model 274 |
| 8200591 | Chrome Plastic Trim Ring for Model 274 |
| 3270501 | 3-Pin AMP Connector (#282087-1) Wire Harness Assembly |

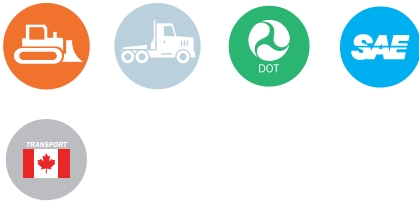
PRODUCT SPECIFICATIONS

Connector/Wiring:
12" Bare Leads

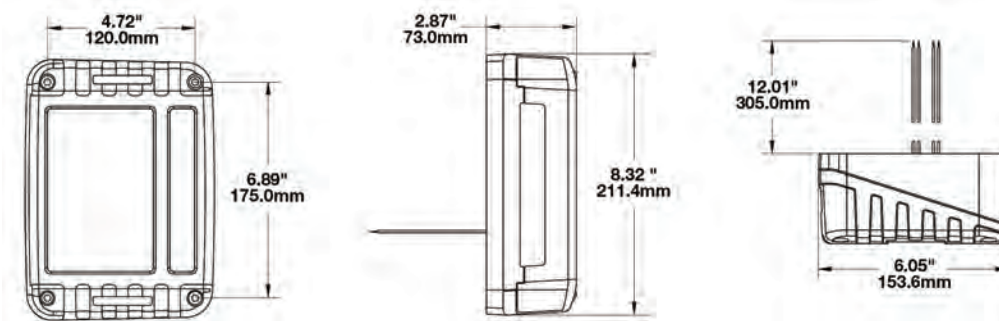
Operating Voltage:
9-32V AC

Current Draw:
Stop: 0.370A @ 12V; 0.220A @ 24V AC
Tail: 0.100A @ 12V; 0.089A @ 24V AC
Reverse: 0.130A @ 12V; 0.100A @ 24V AC

Application & Standards:



⚠ **WARNING:** Cancer and Reproductive Harm - www.P65Warnings.ca.gov
⚠ **AVERTISSEMENT:** Cancer et effet nocif sur la reproduction - www.P65Warnings.ca.gov



PART # DESCRIPTION

| | |
|---------|---|
| 0347553 | 12-24V DOT LED Tail Light - 2 Light Kit |
| 0347563 | 12-24V ECE LED Tail Light - 2 Light Kit |

PART # ACCESSORIES

| | |
|---------|--|
| 8200231 | Mounting Kit for Model 279 - 2 Light Kit |
|---------|--|

MODEL 279 J



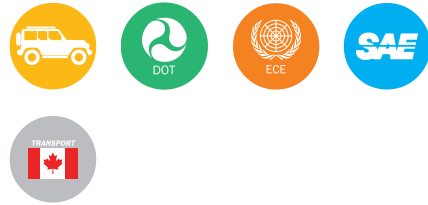
PRODUCT SPECIFICATIONS

Connector/Wiring:
YAZAKI 7287-2779-30

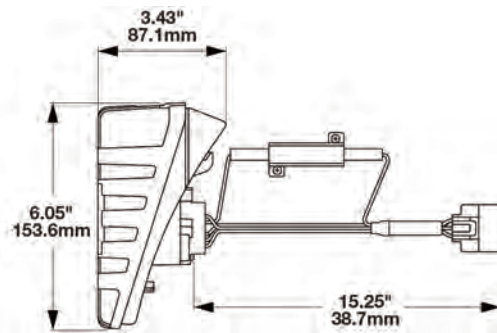
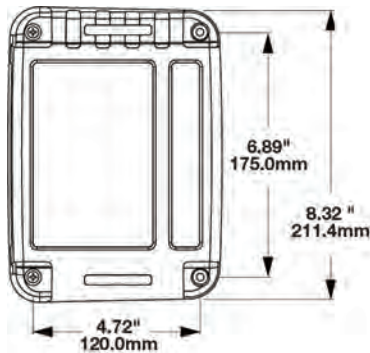
Operating Voltage:
9-32V DC

Current Draw:
Stop/Turn: 1.70A @ 12V; 0.21A @ 24V DC
Tail: 0.10A @ 12V; 0.09A @ 24V DC
Reverse: 0.18A @ 12V; 0.10A @ 24V DC

Application & Standards:



⚠ **WARNING:** Cancer and Reproductive Harm - www.P65Warnings.ca.gov
⚠ **AVERTISSEMENT:** Cancer et effet nocif sur la reproduction - www.P65Warnings.ca.gov



PART # DESCRIPTION

| | |
|---------|--|
| 0347531 | 12-24V DOT LED Jeep Tail Light - 2 Light Kit |
| 0347541 | 12-24V ECE LED Jeep Tail Light - 2 Light Kit |

MODEL 280, 281 & 283

PRODUCT SPECIFICATIONS

Model 280

Connector/Wiring:
Wire Harness with Bare Leads

Operating Voltage:
9-16V DC

Current Draw:
Stop: 0.105A @ 12V DC
Tail: 0.020A @ 12V DC
Turn: 0.105A @ 12V DC
Backup: 0.090A @ 12V DC

Model 281

Connector/Wiring:
12" Bare Leads

Operating Voltage:
9-16V DC

Current Draw:
0.4A @ 12V DC
0.4A @ 24V DC
0.4A @ 36V DC
0.4A @ 48V DC

Model 283

Connector/Wiring:
120" Bare Leads

Operating Voltage:
9-16V DC

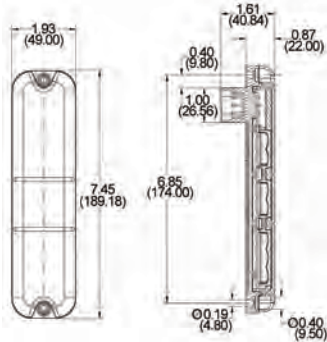
Current Draw:
Stop: 0.151A @ 12V; 0.078A @ 24V DC
Tail: 0.008A @ 12V; 0.008A @ 24V DC
Turn: 0.161A @ 12V; 0.084A @ 24V DC

Application & Standards:

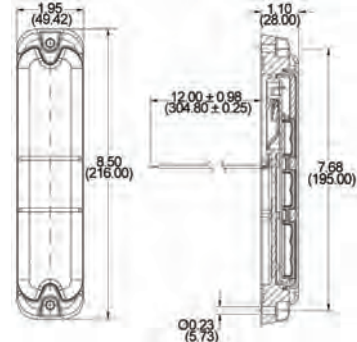


WARNING: Cancer and Reproductive Harm - www.P65Warnings.ca.gov
AVERTISSEMENT: Cancer et effet nocif sur la reproduction - www.P65Warnings.ca.gov

MODEL 280



MODEL 281



PART # DESCRIPTION

0346561 12V LED Stop, Tail, Turn Signal & Backup Light

PART # DESCRIPTION

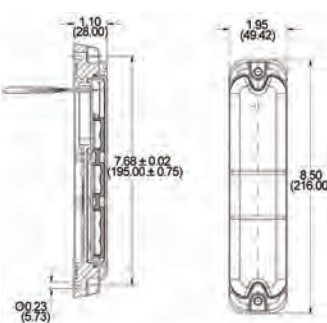
0338061 12V LED Stop, Tail, Turn Signal & Backup Light without Flasher

0338091 24-36V LED Stop, Tail, Turn Signal & Backup Light without Flasher

0339011 48V LED Stop, Tail, Turn Signal & Backup Light without Flasher

0339021 48V LED Stop, Tail, Turn Signal & Backup Light Kit (2 Lights with 2 Amp Flasher)

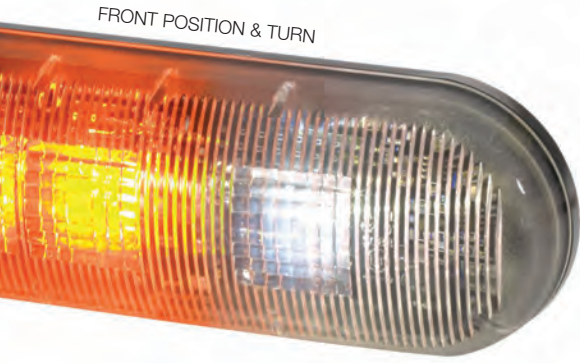
MODEL 283



PART # DESCRIPTION

0339921 12-24V ECE LED Stop, Tail & Turn Signal Light

MODEL 412



PRODUCT SPECIFICATIONS

Connector/Wiring:
7" Bare Leads

Input Voltage:
12-48V DC

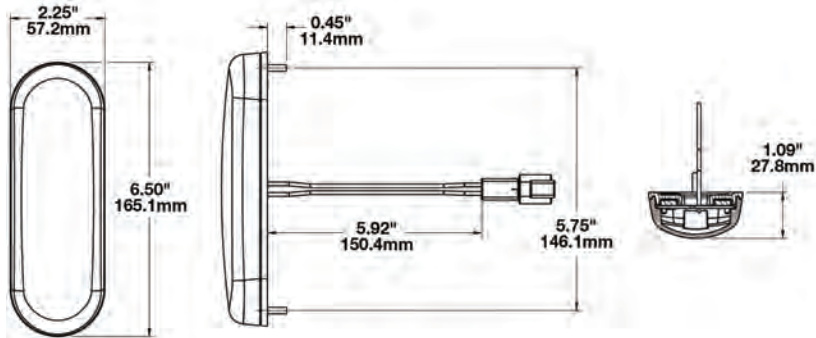
Current Draw:
Front Position & Turn: 0.21A @ 12V; 0.104A @ 24V;
0.07A @ 36V; 0.082A @ 48V DC
Interior: 0.10A to 0.13A @ 12V; 0.055A to 0.08A @ 24V;
0.045A to 0.07A @ 36V; 0.045A to 0.07A @ 48V DC

Application & Standards:



⚠ **WARNING:** Cancer and Reproductive Harm - www.P65Warnings.ca.gov

⚠ **AVERTISSEMENT:** Cancer et effet nocif sur la reproduction - www.P65Warnings.ca.gov



PART # DESCRIPTION

| | |
|---------|--|
| 0343121 | 12-48V ECE LED Front Position & Front Turn Signal Light |
| 0442511 | 12-48V Clear LED Dome Light with 7" Bare Leads, No Switch, No Timer |
| 0443011 | 12-48V Clear LED Dome Light with 7" Bare Leads & Switch, No Timer |
| 0443301 | 12-48V Clear LED Dome Light with Deutsch Connector, Switch & 60 Minute Timer |

MODEL 775 XD WORK & TURN LIGHT

PRODUCT SPECIFICATIONS

Raw Lumen Output:
600

Effective Lumen Output:
400

Connector/Wiring:
2-Pin Deutsch Weather-Proof Plug (DT06-2S)

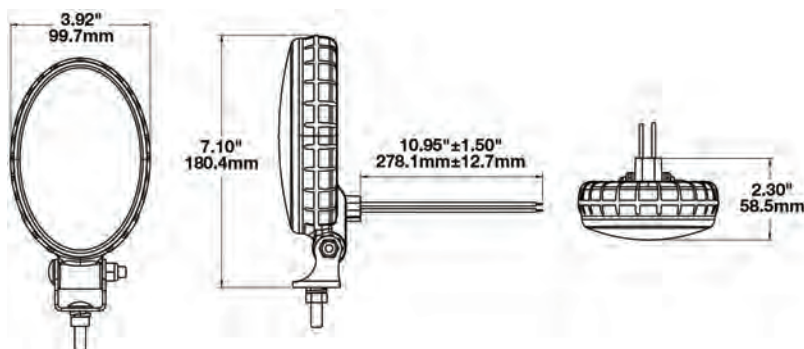
Operating Voltage:
9-60V DC

Current Draw:
1.2A @ 12V DC
0.6A @ 24V DC
0.4A @ 36V DC
0.3A @ 48V DC

Application & Standards:



⚠ **WARNING:** Cancer and Reproductive Harm - www.P65Warnings.ca.gov
⚠ **AVERTISSEMENT:** Cancer et effet nocif sur la reproduction - www.P65Warnings.ca.gov

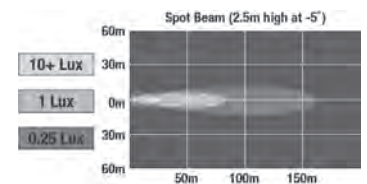


PART # DESCRIPTION

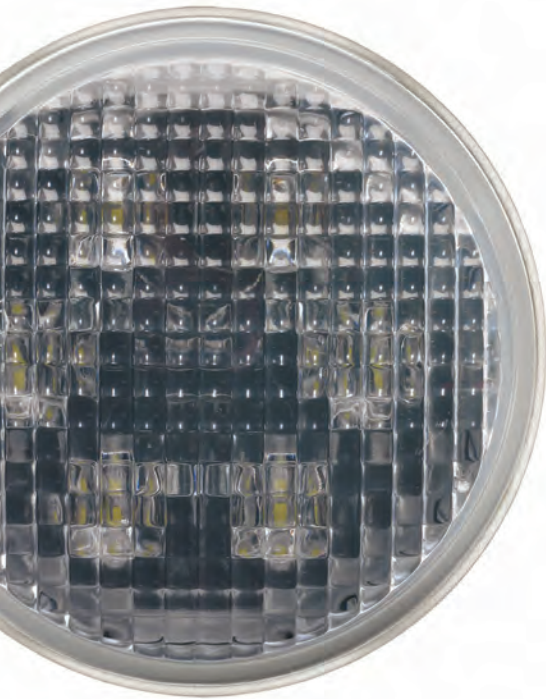
| | |
|---------|---|
| 1707191 | 12-48V Amber Clear LED Work Light with Flood Beam & Turn Signal |
| 1707201 | 12-48V Amber Clear LED Work Light with Spot Beam & Turn Signal |

PART # ACCESSORIES

| | |
|---------|--|
| 8200011 | Magnet Mount Kit for XD Series Work Lights |
| 8200101 | Stainless Steel Mounting Kit for Work Lights & Marine Lights |
| 8200121 | Black Mounting Kit for Work Lights & Marine Lights |
| 8200671 | 4-Pin Deutsch Connector Kit |



MODEL 6042



PRODUCT SPECIFICATIONS

Connector/Wiring:

Female Terminal Mole1 ETC AA-2140 T or #8 Ring Terminal

Input Voltage:

12-24V DC

Current Draw:

Stop: 0.165A @ 12V; 0.180A @ 24V DC

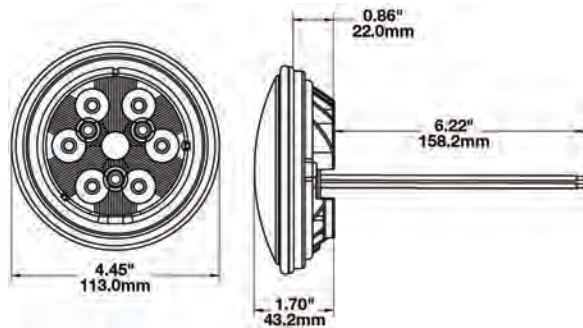
Tail: 0.012A @ 12V; 0.012A @ 24V DC

Application & Standards:



▲ **WARNING:** Cancer and Reproductive Harm - www.P65Warnings.ca.gov

▲ **AVERTISSEMENT:** Cancer et effet nocif sur la reproduction - www.P65Warnings.ca.gov



PART # DESCRIPTION

0343211 12-24V SAE LED Stop & Tail Light

MODEL 6043 WORK & TAIL LIGHT

PRODUCT SPECIFICATIONS

Raw Lumen Output:
1,140 (Worklight)

Effective Lumen Output:
700 (Worklight)

Connector/Wiring:
6" Bare Leads

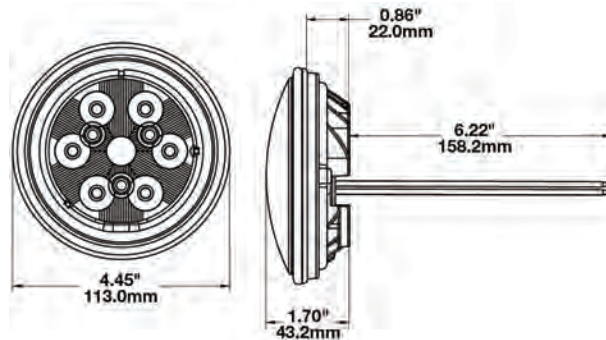
Operating Voltage:
12-24V DC

Current Draw:
Work Light: 0.60A @ 12V DC
Tail Light: 0.11A @ 12V DC

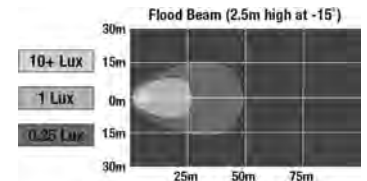
Application & Standards:



AVERTISSEMENT: Cancer et effet nocif sur la reproduction - www.P65Warnings.ca.gov



| PART # | DESCRIPTION |
|---------|------------------------------------|
| 0344731 | 12-24V LED Work Light & Tail Light |







INTERIOR

MODEL 150



PRODUCT SPECIFICATIONS

Connector/Wiring:
118" Bare Leads

Input Voltage:
12-24V DC

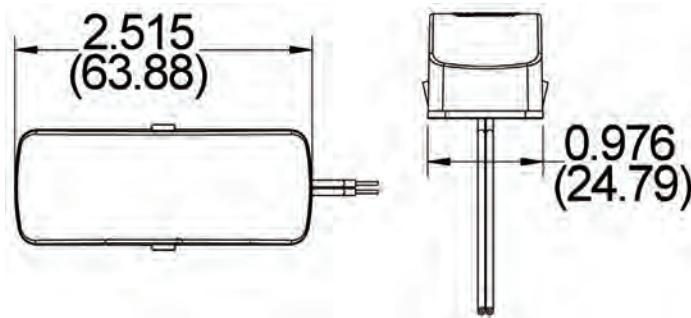
Current Draw:
0.090 (Max)A @ 12V DC

Application & Standards:



⚠ **WARNING:** Cancer and Reproductive Harm - www.P65Warnings.ca.gov

⚠ **AVERTISSEMENT:** Cancer et effet nocif sur la reproduction - www.P65Warnings.ca.gov



PART # DESCRIPTION

| | |
|---------|---|
| 0205321 | 12-24V ECE/SAE Red LED Side Marker Light with Mounting Assembly |
| 0205341 | 12-24V ECE/SAE Amber LED Side Marker Light with Mounting Assembly |
| 0443051 | 12-24V Clear/White LED Dome Light with Mounting Assembly |

PART # ACCESSORIES

| | |
|---------|--|
| 5856032 | Replacement Mounting Assembly for Model 150 LED Lights |
|---------|--|

MODEL 186

PRODUCT SPECIFICATIONS

Connector/Wiring:
2-Pin Deutsch (DT04-2P)

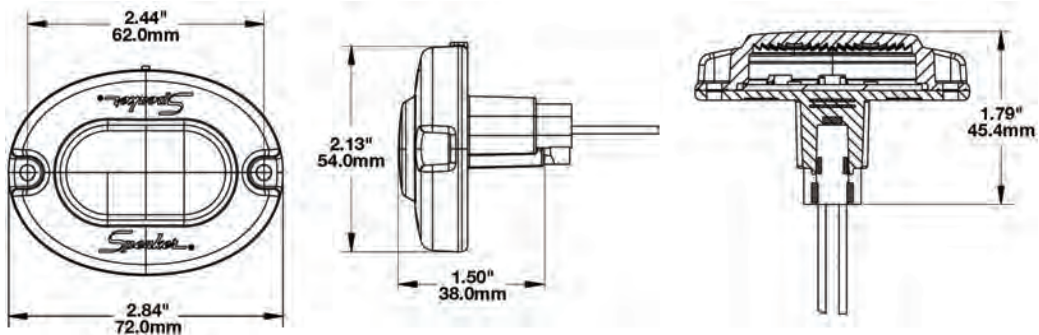
Input Voltage:
12-24V DC

Current Draw:
0.105A @ 12V DC
0.105A @ 24V DC

Application & Standards:



▲ **WARNING:** Cancer and Reproductive Harm - www.P65Warnings.ca.gov
▲ **AVERTISSEMENT:** Cancer et effet nocif sur la reproduction - www.P65Warnings.ca.gov



| PART # | DESCRIPTION |
|--------|-------------|
|--------|-------------|

| | |
|---------|--------------------------|
| 0442641 | 12-24V LED Utility Light |
|---------|--------------------------|

MODEL 282



PRODUCT SPECIFICATIONS

Connector/Wiring:

Optional 2-Pin Deutsch Socket (DT04-2P);
3-Pin Deutsch Socket (DT04-3P)

Input Voltage:

12-24V DC

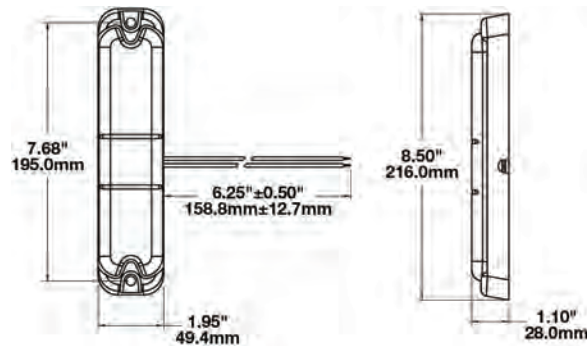
Current Draw:

Application & Standards:



⚠ **WARNING:** Cancer and Reproductive Harm - www.P65Warnings.ca.gov

⚠ **AVERTISSEMENT:** Cancer et effet nocif sur la reproduction - www.P65Warnings.ca.gov



| PART # | DESCRIPTION |
|--------|-------------|
|--------|-------------|

| | |
|---------|-----------------------|
| 0442131 | 12-24V LED Dome Light |
|---------|-----------------------|

PRODUCT SPECIFICATIONS

Connector/Wiring:
Aptiv Weather Pack (12010973)

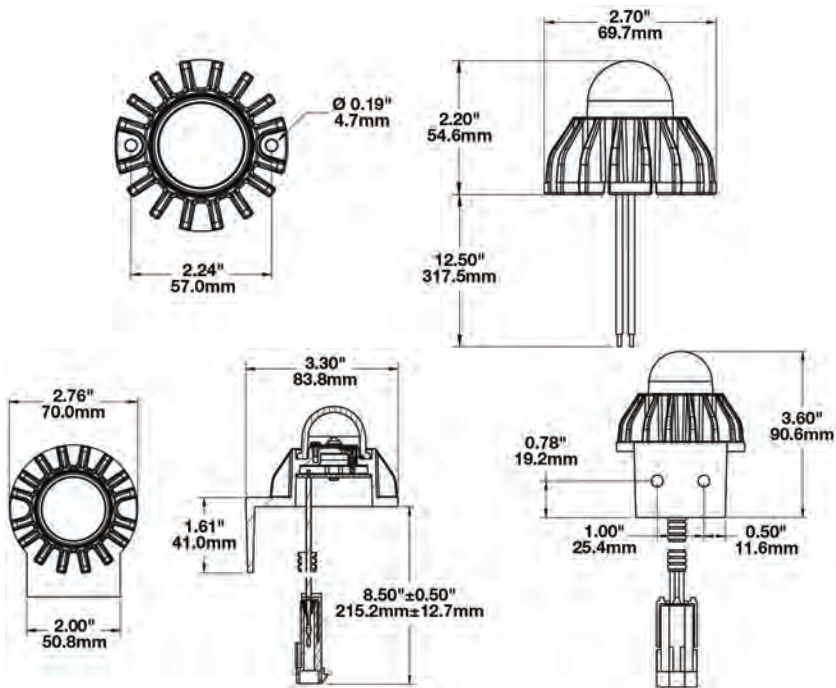
Operating Voltage:
50-90V DC

Current Draw:
0.4A @ 12V DC
0.21A @ 24V DC
60mA MaxA @ 75V DC

Application & Standards:



WARNING: Cancer and Reproductive Harm - www.P65Warnings.ca.gov
AVERTISSEMENT: Cancer et effet nocif sur la reproduction - www.P65Warnings.ca.gov



PART # DESCRIPTION

0442501 12-24V LED Engine Compartment Light with Mounting Bracket

0442541 12-24V LED Engine Compartment Light without Mounting Bracket

0443561 75V LED Engine Compartment Light with Mounting Bracket

MODEL 410 & 411

MODEL 410



MODEL 411



PRODUCT SPECIFICATIONS

Model 410

Connector/Wiring:
MOLEX P/N 190250004

Operating Voltage:
9-32V DC

Current Draw:
0.14A @ 12V DC
0.09A @ 24V DC

Model 411

Connector/Wiring:
Bare Leads

Operating Voltage:
9-32V DC

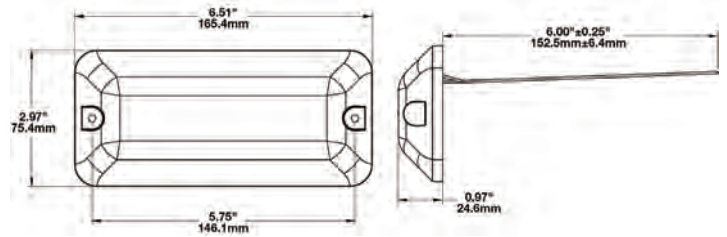
Current Draw:
0.14A @ 12V DC
0.09A @ 24V DC

Application & Standards:

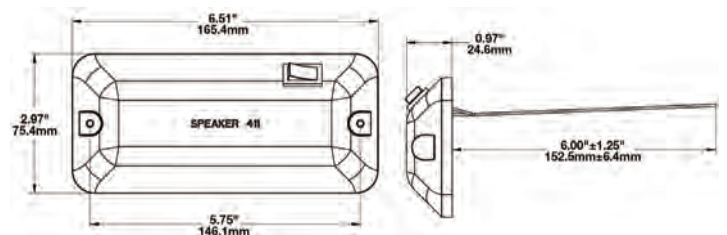
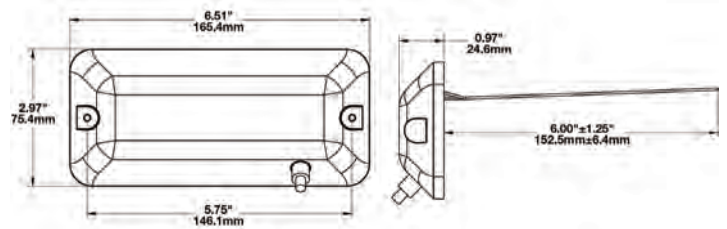


▲ **WARNING:** Cancer and Reproductive Harm - www.P65Warnings.ca.gov
▲ **AVERTISSEMENT:** Cancer et effet nocif sur la reproduction - www.P65Warnings.ca.gov

| PART # | DESCRIPTION |
|---------|-----------------------|
| 0443271 | 12-24V LED Dome Light |



| PART # | DESCRIPTION |
|---------|--|
| 0443281 | 12-24V LED Dome Light with On/Off Button |
| 0443291 | 12-24V LED Dome Light with On/Off/Door Rocker Switch |



PRODUCT SPECIFICATIONS

Connector/Wiring:

7" Bare Leads

Input Voltage:

12-48V DC

Current Draw:

Front Position & Turn: 0.21A @ 12V; 0.104A @ 24V;
0.07A @ 36V; 0.082A @ 48V DC

Interior: 0.10A to 0.13A @ 12V; 0.055A to 0.08A @ 24V;
0.045A to 0.07A @ 36V; 0.045A to 0.07A @ 48V DC

Application & Standards:



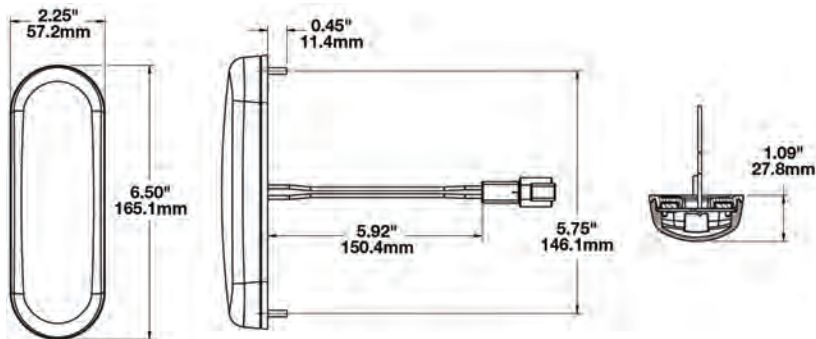
INTERIOR



FRONT POSITION & TURN



Warnings: Cancer and reproductive harm - www.P65Warnings.ca.gov
AVERTISSEMENT: Cancer et effet nocif sur la reproduction - www.P65Warnings.ca.gov



| PART # | DESCRIPTION |
|---------|--|
| 0343121 | 12-48V ECE LED Front Position & Front Turn Signal Light |
| 0442511 | 12-48V Clear LED Dome Light with 7" Bare Leads, No Switch, No Timer |
| 0443011 | 12-48V Clear LED Dome Light with 7" Bare Leads & Switch, No Timer |
| 0443301 | 12-48V Clear LED Dome Light with Deutsch Connector, Switch & 60 Minute Timer |

MODEL 417



PRODUCT SPECIFICATIONS

Connector/Wiring:
3-Pin Deutsch Socket (DT04-3P)

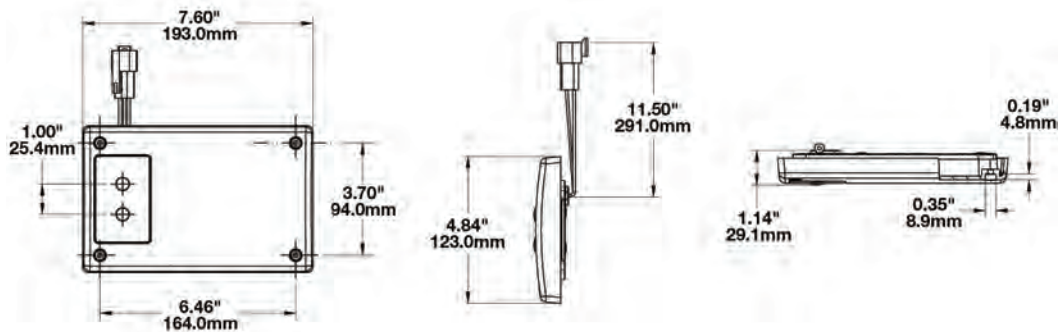
Input Voltage:
12V DC

Current Draw:
0.175A @ 12V DC (Red x 2)
0.325A @ 12V DC (White x 4)
0.025A @ 12V DC (White x 1)

Application & Standards:



⚠ **WARNING:** Cancer and Reproductive Harm - www.P65Warnings.ca.gov
⚠ **AVERTISSEMENT:** Cancer et effet nocif sur la reproduction - www.P65Warnings.ca.gov



| PART # | DESCRIPTION |
|---------|--|
| 0442261 | 12V Red/White LED Dome Light with Inner Optics |
| 0442411 | 24V Red/White LED Dome Light with Inner Optics |
| 0443171 | 12-24V Red/White LED Dome Light without Inner Optics |



WARNING

MODEL 146



PRODUCT SPECIFICATIONS

Connector/Wiring:

6" Bare Leads

Operating Voltage:

12-48V DC

Current Draw:

0.075 - 0.100 A @ 12V DC

0.035 - 0.050 A @ 24V DC

0.020 - 0.035 A @ 36V DC

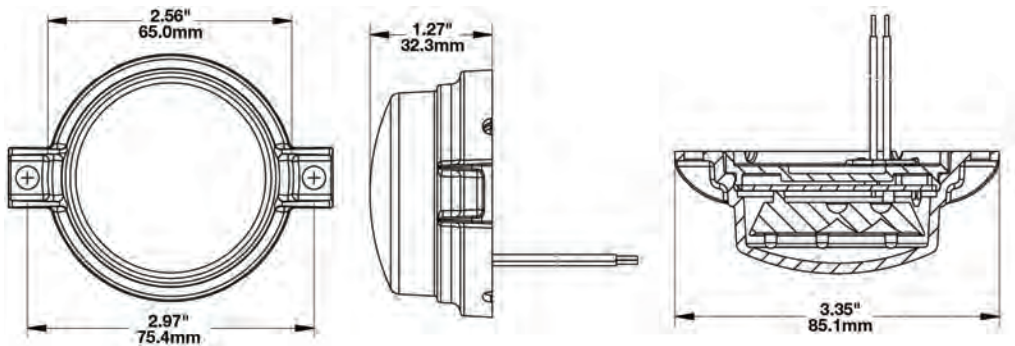
0.018 - 0.030 A @ 48V DC

Application & Standards:



⚠ **WARNING:** Cancer and Reproductive Harm - www.P65Warnings.ca.gov

⚠ **AVERTISSEMENT:** Cancer et effet nocif sur la reproduction - www.P65Warnings.ca.gov



PART # DESCRIPTION

0646321 12-48V LED Amber Flashing Warning Light

PRODUCT SPECIFICATIONS

Connector/Wiring:
9" Bare Leads

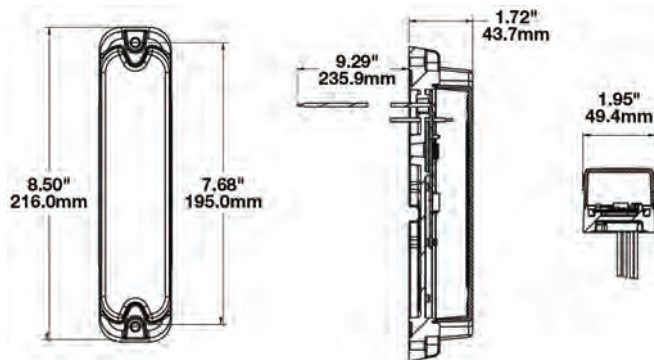
Input Voltage:
12-48V DC

Current Draw:
0.50A @ 12V DC
0.25A @ 24V DC
0.175A @ 36V DC
0.125A @ 48V DC

Application & Standards:



⚠ **WARNING:** Cancer and Reproductive Harm - www.P65Warnings.ca.gov
⚠ **AVERTISSEMENT:** Cancer et effet nocif sur la reproduction - www.P65Warnings.ca.gov



| PART # | DESCRIPTION |
|---------|-----------------------------------|
| 0645661 | 12-48V SAE LED Amber Strobe Light |
| 0645761 | 12-48V SAE LED Blue Strobe Light |

MODEL 406 & 407



PRODUCT SPECIFICATIONS

Model 406

Candela Output:
280

Connector/Wiring:
12" Leads

Operating Voltage:
9-110V DC

Current Draw:
0.345A @ 12V DC
0.225A @ 24V DC
0.163A @ 36V DC
0.131A @ 48V DC
0.100A @ 72V DC

Model 407

Candela Output:
560

Connector/Wiring:
12" Leads

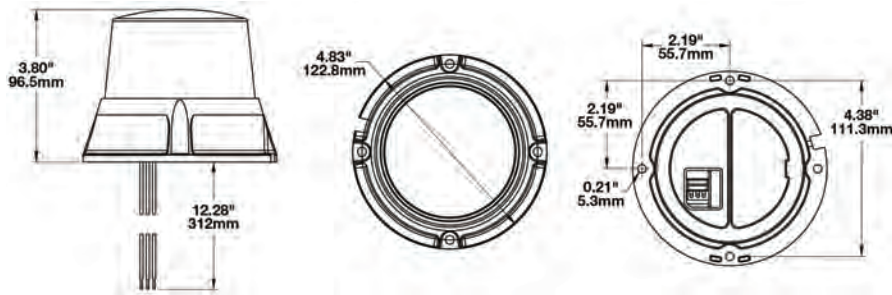
Operating Voltage:
9-110V DC

Current Draw:
0.915A @ 12V DC
0.500A @ 24V DC
0.340A @ 36V DC
0.265A @ 48V DC
0.190A @ 72V DC

Application & Standards:



⚠ WARNING: Cancer and Reproductive Harm - www.P65Warnings.ca.gov
⚠ AVERTISSEMENT: Cancer et effet nocif sur la reproduction - www.P65Warnings.ca.gov



Model 406

| PART # | DESCRIPTION |
|---------|--|
| 0646501 | 12-80V LED Amber Class II Strobe Light |
| 0646541 | 12-80V LED Red Class II Strobe Light |
| 0646531 | 12-80V LED Blue Class II Strobe Light |
| 0646731 | 12-80V LED Amber Class II Strobe Light with DIN Pole Mount |
| 0646881 | 12-80V LED Amber Class II Strobe Light with Magnet Mount & Adapter |

| PART # | ACCESSORIES |
|---------|--|
| 8200213 | DIN Pole Mount for 406 & 407 LED Strobe Lights |
| 0728321 | Pipe Mount with Straight Bracket for DIN Pole Mount |
| 0728311 | Pipe Mount with L Bracket for DIN Pole Mount |
| 0728301 | Pipe Mount with Fold-Down Bracket for DIN Pole Mount |
| 0728331 | Pipe Mount with Threaded Pipe Mount for DIN Pole Mount |
| 0728341 | Pipe Mount with Weld-on Bracket for DIN Pole Mount |

Model 407

| PART # | DESCRIPTION |
|---------|---|
| 0646491 | 12-80V LED Amber Class I Strobe Light |
| 0646561 | 12-80V LED Red Class I Strobe Light |
| 0646551 | 12-80V LED Blue Class I Strobe Light |
| 0646571 | 12-80V LED Green Class I Strobe Light |
| 0646741 | 12-80V LED Amber Class I Strobe Light with DIN Pole Mount |
| 0646891 | 12-80V LED Amber Class I Strobe Light with Magnet Mount |

MODEL 523 BLU SPOT

PRODUCT SPECIFICATIONS

Raw Lumen Output:
1,675

Effective Lumen Output:
864

Candela Output:
42,300

Connector/Wiring:
2-Pin Deutsch (DT04-2P)

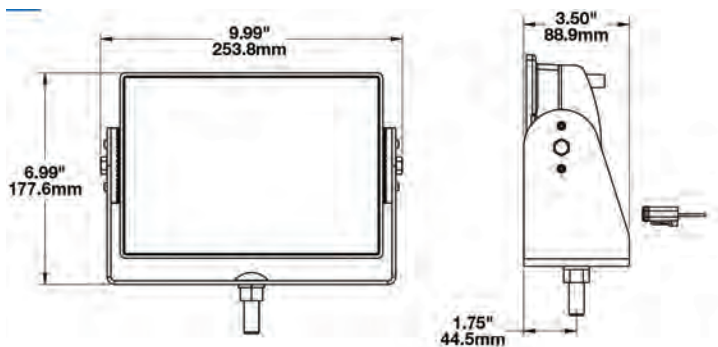
Operating Voltage:
20-32V DC

Current Draw:
4.30A @ 24V DC

Application & Standards:



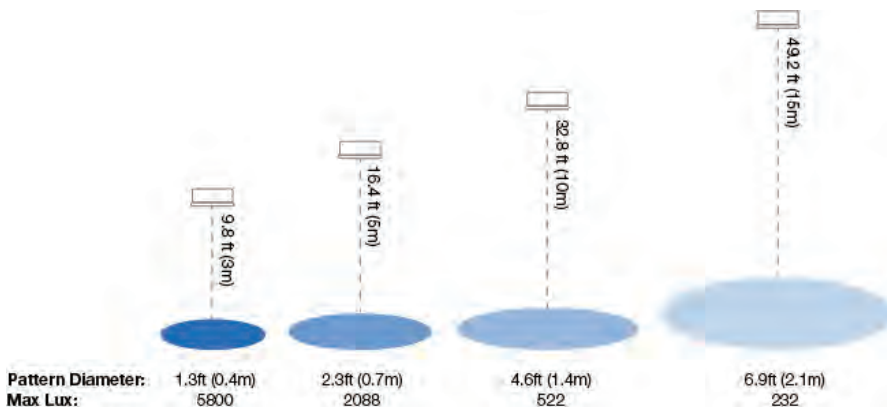
▲ **WARNING:** Cancer and Reproductive Harm - www.P65Warnings.ca.gov
▲ **AVERTISSEMENT:** Cancer et effet nocif sur la reproduction - www.P65Warnings.ca.gov



PART # DESCRIPTION

0551231 24V LED Safety Light with Blue Light, Black Housing & Spot Beam Pattern

0552301 24V LED Safety Light with Blue Light, Yellow Housing & Spot Beam Pattern



MODEL 527

PRODUCT SPECIFICATIONS



Raw Lumen Output:
720

Effective Lumen Output:
670

Connector/Wiring:
2-Pin Deutsch DT04-2P

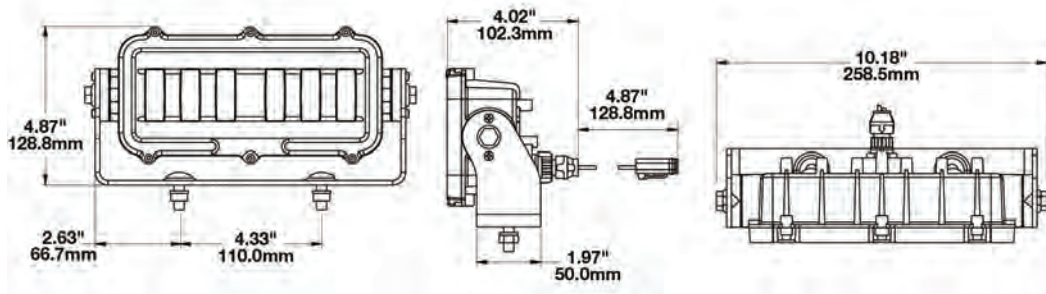
Operating Voltage:
10-32V DC

Current Draw:
1.6A @ 12V DC
0.85A @ 24V DC

Application & Standards:



⚠ WARNING: Cancer and Reproductive Harm - www.P65Warnings.ca.gov
⚠ AVERTISSEMENT: Cancer et effet nocif sur la reproduction - www.P65Warnings.ca.gov



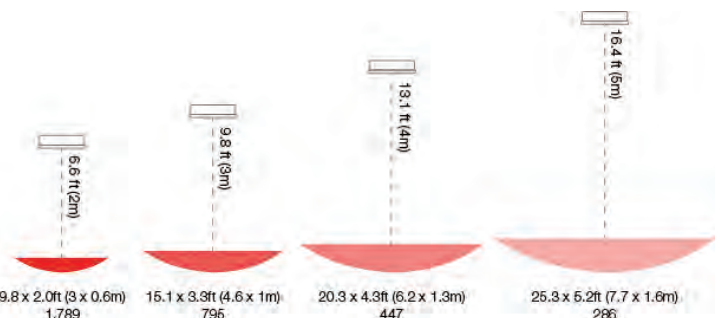
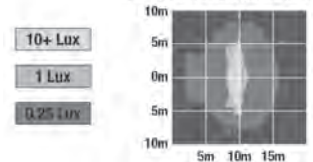
PART # DESCRIPTION

| | |
|---------|-------------------------------------|
| 0549271 | 12-24V LED Red Zone Light |
| 0551271 | 12-24V LED Green Zone Light |
| 0551281 | 12-24V LED Amber Zone Light |
| 0551261 | 12-24V LED White Zone Light |
| 0647011 | 12-24V LED Red & Green Zone Light |
| 0647021 | 12-24V LED Amber & Green Zone Light |

PART # ACCESSORIES

| | |
|---------|------------------------------|
| 8200151 | Rock Guard Kit for Model 527 |
|---------|------------------------------|

"Keep Out" Pattern (6m high at 0')



PRODUCT SPECIFICATIONS

Flash Rate 1

60 +/- 10 fpm

Connector/Wiring:

13.5" Bare Leads

Operating Voltage:

12-80VDCV DC

Current Draw:

0.256A @ 12V DC

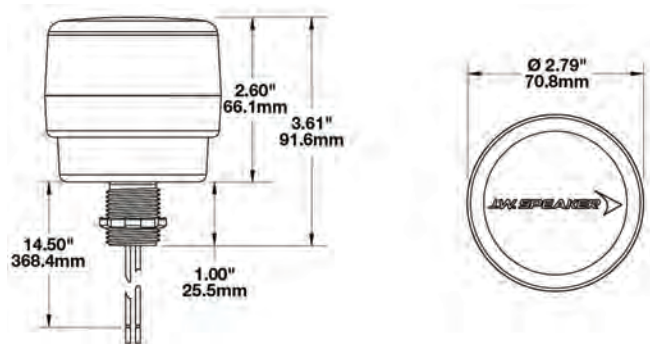
0.088A @ 48V DC

0.076A @ 80V DC

Application & Standards:



WAR
AVERTISSEMENT: Cancer et effet nocif sur la reproduction - www.P65Warnings.ca.gov



| PART # | DESCRIPTION |
|---------|---|
| 0646391 | 12-80V Amber Class III LED Strobe Light with Pipe Mount |
| 0646401 | 12-80V Red Class III LED Strobe Light with Pipe Mount |
| 0646411 | 12-80V Green Class III LED Strobe Light with Pipe Mount |
| 0646421 | 12-80V Blue Class III LED Strobe Light with Pipe Mount |
| 0646431 | 12-80V White Class III LED Strobe Light with Pipe Mount |

MODEL 539



PRODUCT SPECIFICATIONS

Flash Rate 1:
60 +/- 10 fpm

Connector/Wiring:
13.5" Bare Leads

Operating Voltage:
12-80VDCV DC

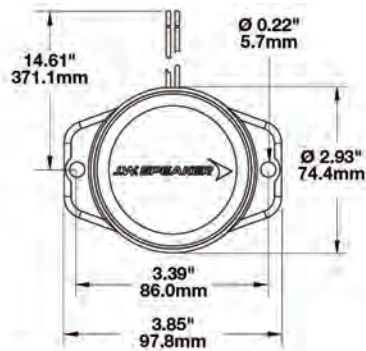
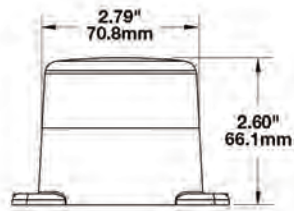
Current Draw:
0.256A @ 12V DC
0.088A @ 48V DC
0.076A @ 80V DC

Application & Standards:



⚠ **WARNING:** Cancer and Reproductive Harm - www.P65Warnings.ca.gov

⚠ **AVERTISSEMENT:** Cancer et effet nocif sur la reproduction - www.P65Warnings.ca.gov



PART # DESCRIPTION

| | |
|---------|---|
| 0646441 | 12-80V Amber Class III LED Strobe Light with Flange Mount |
| 0646451 | 12-80V Red Class III LED Strobe Light with Flange Mount |
| 0646461 | 12-80V Green Class III LED Strobe Light with Flange Mount |
| 0646471 | 12-80V Blue Class III LED Strobe Light with Flange Mount |
| 0646481 | 12-80V White Class III LED Strobe Light with Flange Mount |

PRODUCT SPECIFICATIONS

Connector/Wiring:

Bare Leads

Input Voltage:

12-24V DC

Current Draw:

3.7A @ 12V DC

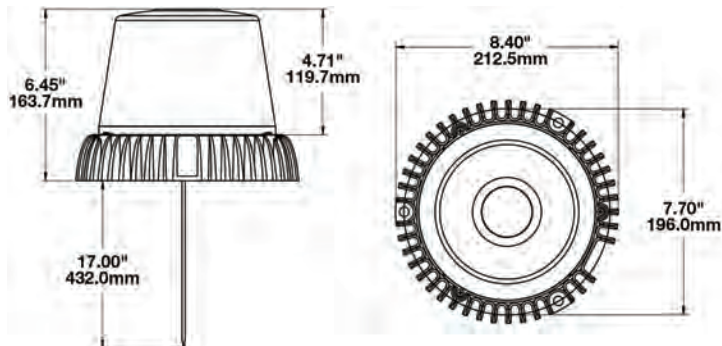
2A @ 24V DC

Application & Standards:



⚠ **WARNING:** Cancer and Reproductive Harm - www.P65Warnings.ca.gov

⚠ **AVERTISSEMENT:** Cancer et effet nocif sur la reproduction - www.P65Warnings.ca.gov



| PART # | DESCRIPTION |
|---------|---|
| 0643151 | 12-24V ECE/SAE 3-Mode Amber Class I LED Strobe Light with Black Housing |
| 0646281 | 12-24V ECE/SAE 3-Mode Red Class I LED Strobe Light with Black Housing |

MODEL 710



PRODUCT SPECIFICATIONS

Raw Lumen Output:

2,000 (6 LEDs); 1,630 (3 LEDs)

Effective Lumen Output:

1,600 (6 LEDs); 780 (3 LEDs)

Connector/Wiring:

Integrated 3-Pin Packard (12129615)

Operating Voltage:

9-110V DC

Current Draw:

3 LEDs: 1.54A @ 12V; 0.67A @ 24V; 0.33A @ 60V;
0.20A @ 110V DC

6 LEDs: 1.59A @ 12V; 0.74A @ 24V; 0.34A @ 60V;
0.23A @ 110V DC

Retrofit Information:

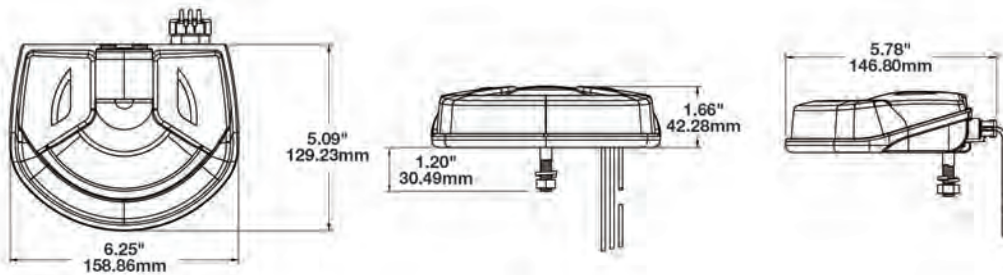
Compact work light, ideal for material handling equipment like forklifts

Application & Standards:



⚠ **WARNING:** Cancer and Reproductive Harm - www.P65Warnings.ca.gov

⚠ **AVERTISSEMENT:** Cancer et effet nocif sur la reproduction - www.P65Warnings.ca.gov



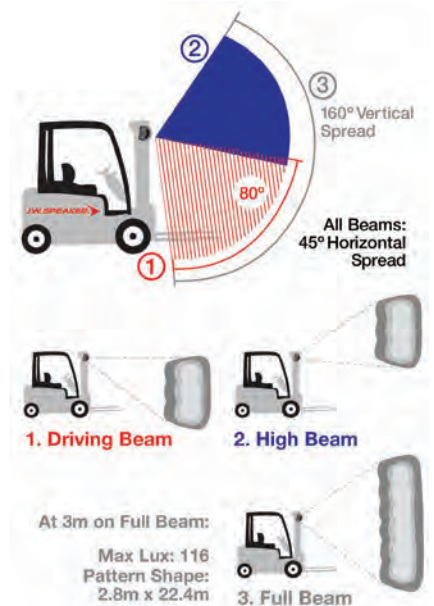
PART # DESCRIPTION

1000121 2-Pin Vertical Flood Beam

1000101 3-Pin Vertical Flood Beam

PART # ACCESSORIES

8200501 Click Bond Stud Mounting Kit



MODEL 770 BLU & RED

PRODUCT SPECIFICATIONS

Connector/Wiring:
Integrated

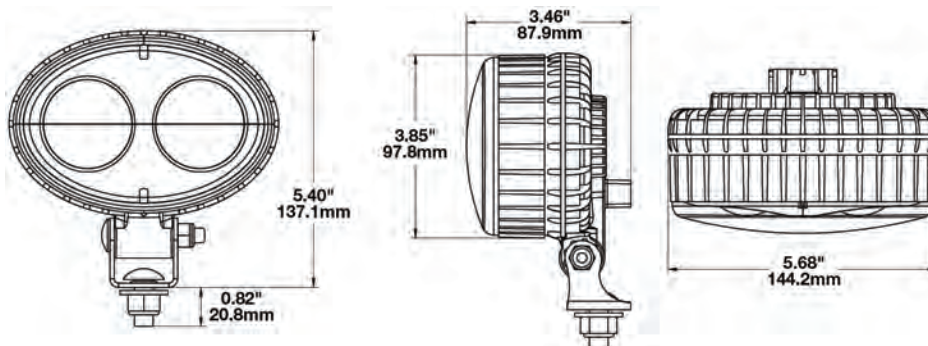
Operating Voltage:
9-120V DC

Current Draw:
0.50A @ 12V DC
0.12A @ 60V DC
0.08A @ 110V DC

Application & Standards:



▲ **WARNING:** Cancer and Reproductive Harm - www.P65Warnings.ca.gov
▲ **AVERTISSEMENT:** Cancer et effet nocif sur la reproduction - www.P65Warnings.ca.gov



PART # DESCRIPTION

| | |
|---------|---|
| 1706311 | 12-110V LED Blue Material Handling Safety Light |
| 1706921 | 12-110V LED Blue Arrow Material Handling Safety Light |
| 1706441 | 12-110V LED Red Safety Spot Light |
| 1706911 | 12-110V LED Red Arrow Safety Spot Light |

MODEL 777



PRODUCT SPECIFICATIONS

Effective Lumen Output:
10-80V DC

Connector/Wiring:
19.5" Bare Leads

Operating Voltage:
10-80V DC

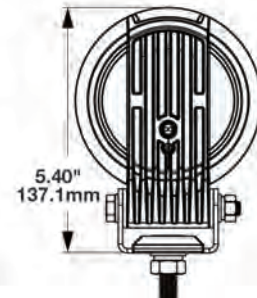
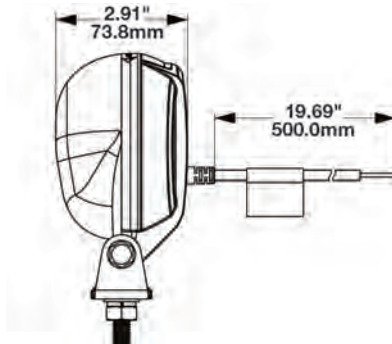
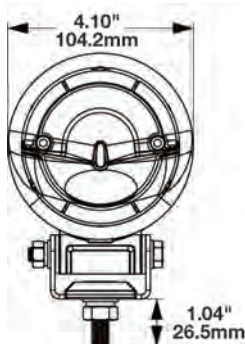
Current Draw:
1.20A @ 12VDC
0.60A @ 24V DC
0.40A @ 36V DC
0.30A @ 48V DC
0.24A @ 60V DC
0.20A @ 72V DC

Application & Standards:



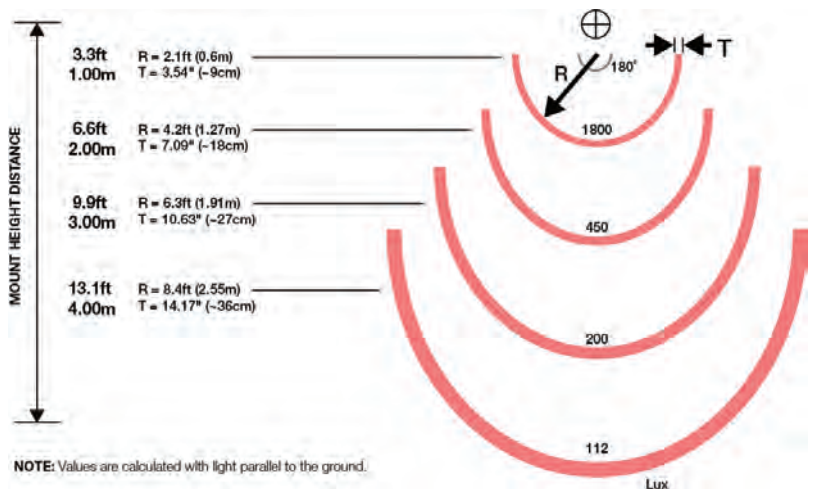
⚠ **WARNING:** Cancer and Reproductive Harm - www.P65Warnings.ca.gov

⚠ **AVERTISSEMENT:** Cancer et effet nocif sur la reproduction - www.P65Warnings.ca.gov



PART # DESCRIPTION

| | |
|---------|------------------------------------|
| 1403551 | 12-72V Red LED Arc Warning light |
| 1403561 | 12-72V Blue LED Arc Warning light |
| 1403571 | 12-72V Green LED Arc Warning light |



PRODUCT SPECIFICATIONS

Raw Lumen Output:
1,130

Effective Lumen Output:
317

Candela Output:
3,150

Connector/Wiring:
Deutsch DT04-2P

Operating Voltage:
10-45V DC

Current Draw:
1.60A @ 12V DC
0.60A @ 24V DC
0.57A @ 36V DC

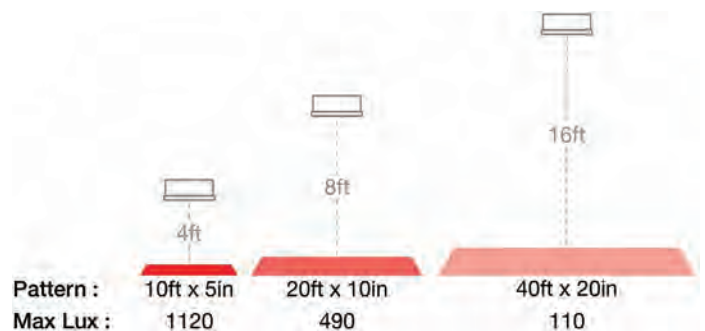
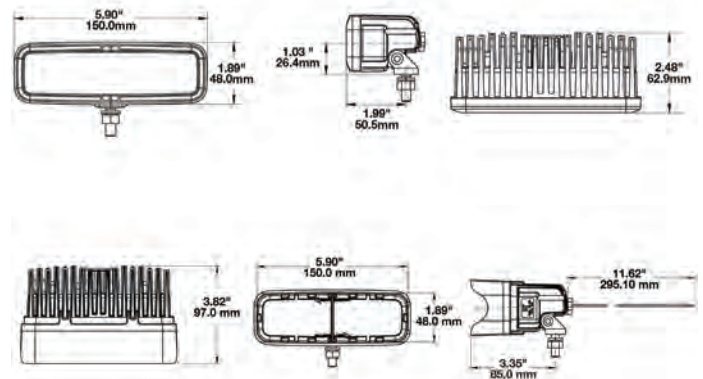
Application & Standards:



⚠ WARNING: Cancer and Reproductive Harm - www.P65Warnings.ca.gov
⚠ AVERTISSEMENT: Cancer et effet nocif sur la reproduction - www.P65Warnings.ca.gov

PART # DESCRIPTION

| | |
|---------|--|
| 1603631 | 12-36V LED Red Stripe Zone Light |
| 1603641 | 12-36V LED Blue Stripe Zone Light |
| 1603651 | 12-36V LED Amber Stripe Zone Light |
| 1603681 | 12-36V LED Red Stripe Zone Light with Shroud |
| 1603881 | 48-110V LED Blue Stripe Zone Light with Large Bracket |
| 1603821 | 48-110V LED Blue Stripe Zone Light with Short Bracket |
| 1603891 | 48-110V LED Amber Stripe Zone Light with Large Bracket |
| 1603831 | 48-110V LED Amber Stripe Zone Light with Short Bracket |
| 1603871 | 48-110V LED Red Stripe Zone Light with Large Bracket |
| 1603861 | 48-110V LED Red Stripe Zone Light with Shroud |
| 1603811 | 48-110V LED Red Stripe Zone Light with Short Bracket |



MODEL 4415 WARNING LIGHT



PRODUCT SPECIFICATIONS

Effective Lumen Output:
276

Candela Output:
9,920

Connector/Wiring:
Packard# 12084167

Operating Voltage:
10-32 V DC

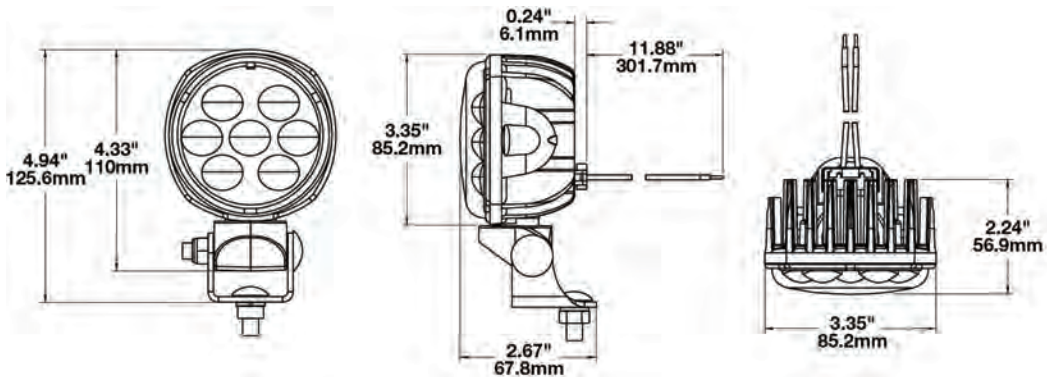
Current Draw:
2.00A @ 12V DC
1.05A @ 24V DC
0.51A @ 48V DC
0.40A @ 60V DC
0.25A @ 110V DC

Application & Standards:



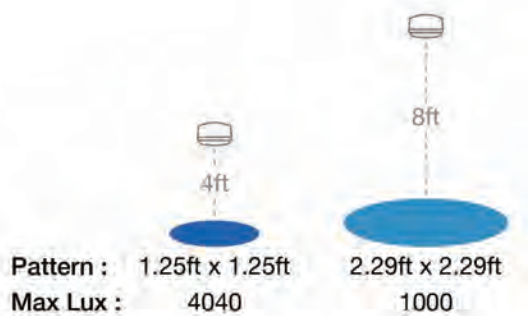
⚠ **WARNING:** Cancer and Reproductive Harm - www.P65Warnings.ca.gov

⚠ **AVERTISSEMENT:** Cancer et effet nocif sur la reproduction - www.P65Warnings.ca.gov



PART # DESCRIPTION

| | |
|---------|--------------------------------|
| 0552981 | 12-110V LED Red Warning Light |
| 0552991 | 12-110V LED Blue Warning Light |



MODEL 6150 RED

PRODUCT SPECIFICATIONS

Connector/Wiring:
5" Bare Leads

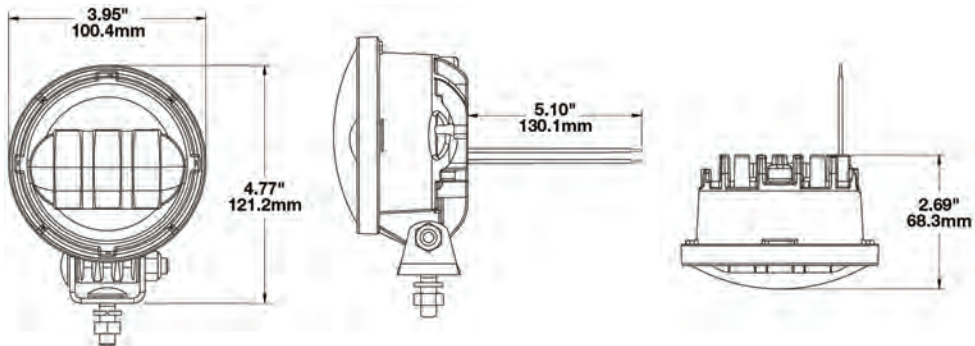
Input Voltage:
12-110V DC

Current Draw:
1.15A @ 12V DC
0.57A @ 24V DC
0.28A @ 48V DC
0.23A @ 60V DC
0.14A @ 110V DC

Application & Standards:



⚠ **WARNING:** Cancer and Reproductive Harm - www.P65Warnings.ca.gov
⚠ **AVERTISSEMENT:** Cancer et effet nocif sur la reproduction - www.P65Warnings.ca.gov



PART # DESCRIPTION

| | |
|---------|------------------------------|
| 0552961 | 12-110V LED Red Zone Light |
| 0553561 | 12-110V Antiglare Zone Light |



MODEL 8750



PRODUCT SPECIFICATIONS

Raw Lumen Output:
900

Effective Lumen Output:
450

Candela Output:
3000

Connector/Wiring:
118mm Instrument Cable with Flying Leads

Input Voltage:
24 V

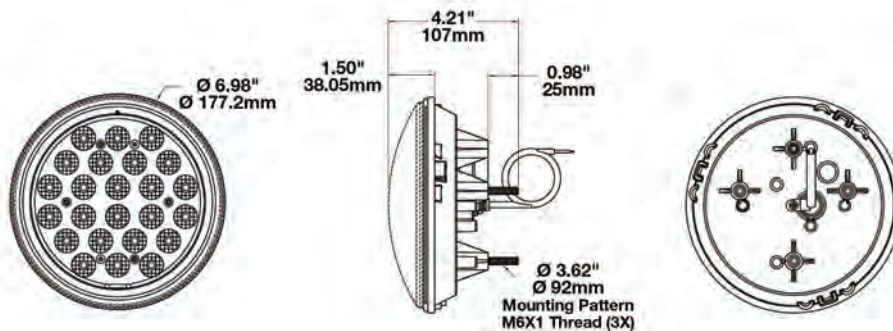
Current Draw:
0.80A @ 24V

Application & Standards:



⚠ **WARNING:** Cancer and Reproductive Harm - www.P65Warnings.ca.gov

⚠ **AVERTISSEMENT:** Cancer et effet nocif sur la reproduction - www.P65Warnings.ca.gov



PART # DESCRIPTION

0646911 24V LED Amber Arrow Warning Light

| | |
|----------------------|--------|
| Model 146 | 102 |
| Model 150 | 66, 94 |
| Model 157 | 67 |
| Model 170 | 68 |
| Model 186 | 95 |
| Model 206 | 70 |
| Model 217 | 71 |
| Model 220 | 72 |
| Model 221 | 73 |
| Model 223 & 224 | 74 |
| Model 225 | 75 |
| Model 234 | 54, 76 |
| Model 236 | 77 |
| Model 239 J2 | 78 |
| Model 245 | 79 |
| Model 265 | 80 |
| Model 267 | 81 |
| Model 270 | 82 |
| Model 272 | 83 |
| Model 274 | 55, 84 |
| Model 274 Flash | 56 |
| Model 279 | 85 |
| Model 279 J | 86 |
| Model 280, 281 & 283 | 87 |
| Model 282 | 96 |
| Model 284 | 103 |

INDEX

| | |
|----------------------|---------|
| Model 406 & 407 | 104 |
| Model 408 | 97 |
| Model 410 & 411 | 98 |
| Model 412 | 88, 99 |
| Model 417 | 100 |
| Model 502 | 15 |
| Model 518 | 16 |
| Model 523 | 17 |
| Model 523 BLU | 105 |
| Model 523 Wide Flood | 18 |
| Model 526 | 19 |
| Model 527 | 106 |
| Model 528 | 20 |
| Model 538 | 107 |
| Model 539 | 108 |
| Model 601 | 109 |
| Model 623 | 21 |
| Model 660 | 22 |
| Model 670 XD | 23, 57 |
| Model 680 XD | 24 |
| Model 710 | 25, 110 |
| Model 735 | 26 |
| Model 736 | 27 |
| Model 770 BLU & RED | 111 |
| Model 770 XD | 28 |
| Model 771 XD | 29 |

| | |
|----------------------------------|--------|
| Model 775 XD Work and Turn Light | 31, 89 |
| Model 777 Arc Light | 112 |
| Model 778 XD | 32 |
| Model 783 XD | 33 |
| Model 785 | 34 |
| Model 791 | 35 |
| Model 793 | 113 |
| Model 832 | 36 |
| Model 840 XD | 37 |
| Model 880 & 881 XD | 38 |
| Model 4415 | 39 |
| Model 4415 Warning Light | 114 |
| Model 4416 | 40 |
| Model 4418 | 41 |
| Model 6020 | 42 |
| Model 6040 | 43 |
| Model 6042 | 90 |
| Model 6043 Work & Tail Light | 44, 91 |
| Model 6150 RED | 115 |
| Model 7150 | 45 |
| Model 7250 & 7251 XD | 46 |
| Model 8625 | 47 |
| Model 8700 EVO 2 Dual Burn | 58 |
| Model 8750 | 116 |
| Model 8800 Evolution 2 | 59 |
| Model 8910 Evolution 2 | 60 |

INDEX

| | |
|-------------------------|----|
| Model 9049-2M & 9049-3M | 48 |
| Model 9800 | 61 |
| Model 9800 HS | 62 |
| Model 9900 LP | 63 |
| TS3001V & TS3001R | 49 |
| TS4000 | 50 |



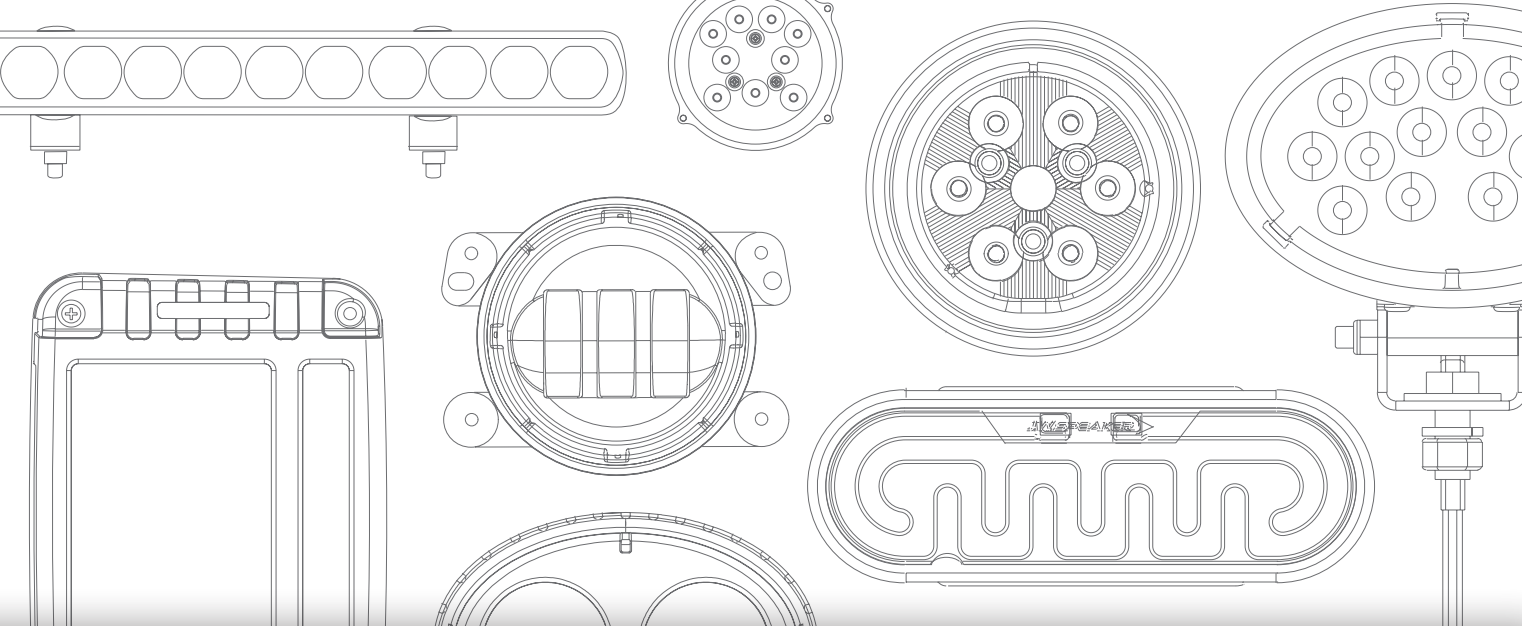
OEM

Technology is constantly evolving. Our attitude towards design remains constant. Relentless innovation and smart partnerships make J.W. Speaker the reliable partner who invests in the design and science of vehicle lighting.

AFTERMARKET

Look good or drive safely. That's often your choice with Aftermarket lights, but J.W. Speaker does not compromise. Our engineers and designers don't cut corners. The result is power and beauty that makes you feel good about the look of your vehicle — and your safety.





J.W. SPEAKER®
Engineered. Lighting. Solutions.



MS FOSTER

SERVING THE TRANSPORTATION INDUSTRY

1040 Highway 212
Michigan City, IN 46360

OFFICE 219.879.9225
TOLL FREE 888.452.4053
FAX 219.879.9313

sales@msfoster.com
www.msfoster.com

